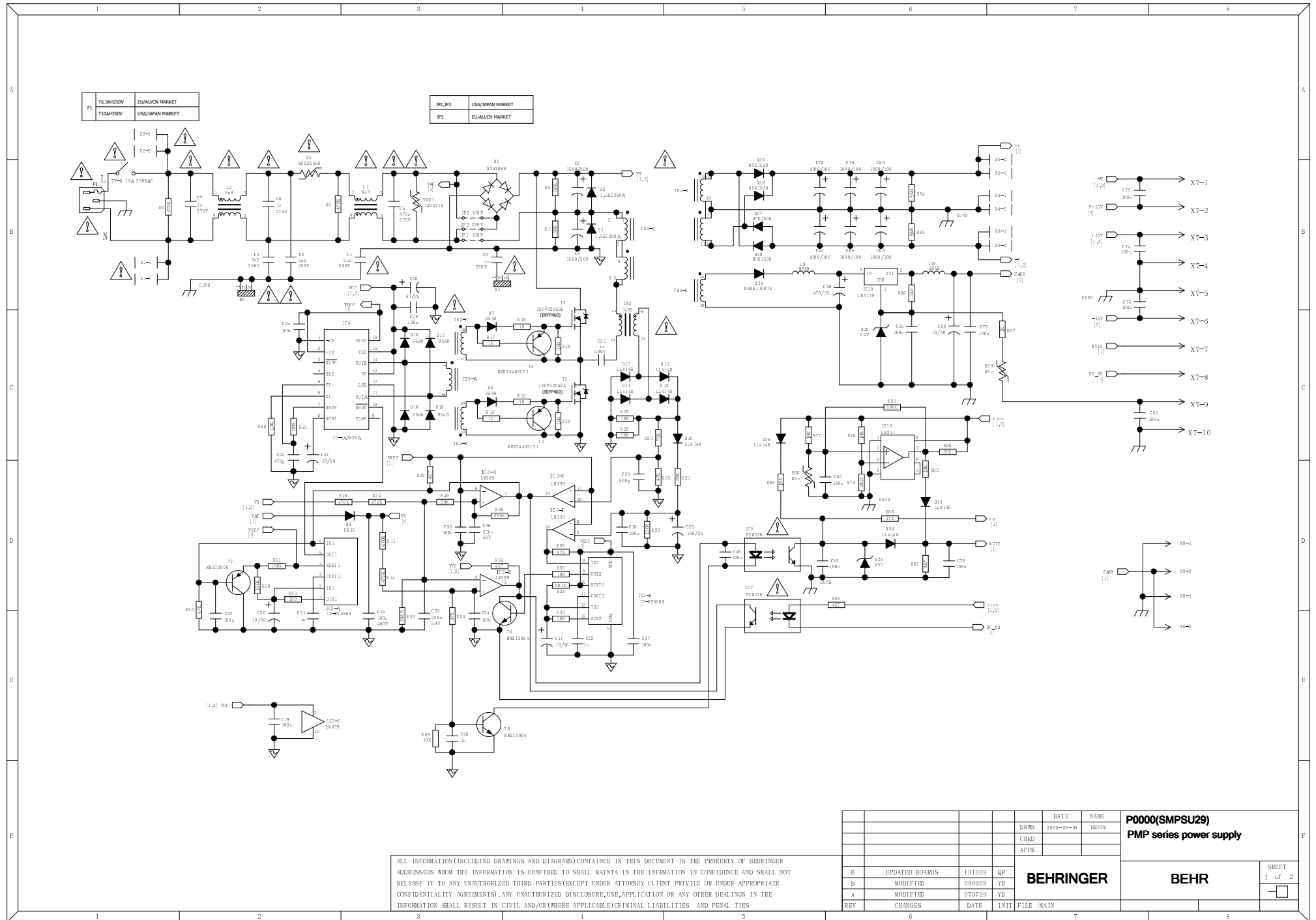


ALL INFORMATION (INCLUDING DRAWINGS AND DIAGRAMS) CONTAINED IN THIS DOCUMENT IS THE PROPERTY OF BEHRINGER ADDRESSEES WHOM THE INFORMATION IS CONFIDED TO SHALL MAINTAIN THE INFORMATION IN CONFIDENCE AND SHALL NOT RELEASE IT TO ANY UNAUTHORIZED THIRD PARTY/SEXCEPT UNDER ATTORNEY CLIENT PRIVILEGE OR UNDER APPROPRIATE CONFIDENTIALITY AGREEMENTS. ANY UNAUTHORIZED DISCLOSURE, REUSE, APPLICATION OR ANY OTHER DEALINGS IN THE INFORMATION SHALL RESULT IN CIVIL AND/OR WHERE APPLICABLE, CRIMINAL LIABILITIES AND PENAL TIES.

REV	CHANGES	DATE	INT	FILE	AMP
C	MODIFIED	201009	YD		
B	UPDATED BOARDS	191009	QR		
S	MODIFIED	090909	YD		
A	MODIFIED	010708	YD		

DRWN	DATE	NAME	P0000(HCA2500)
CHWD	2009-09-09	DENNY	
APPN			

SHEET	1	OF	1



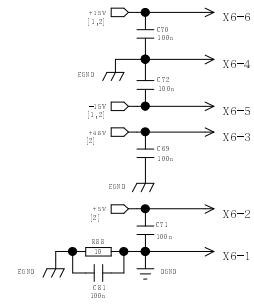
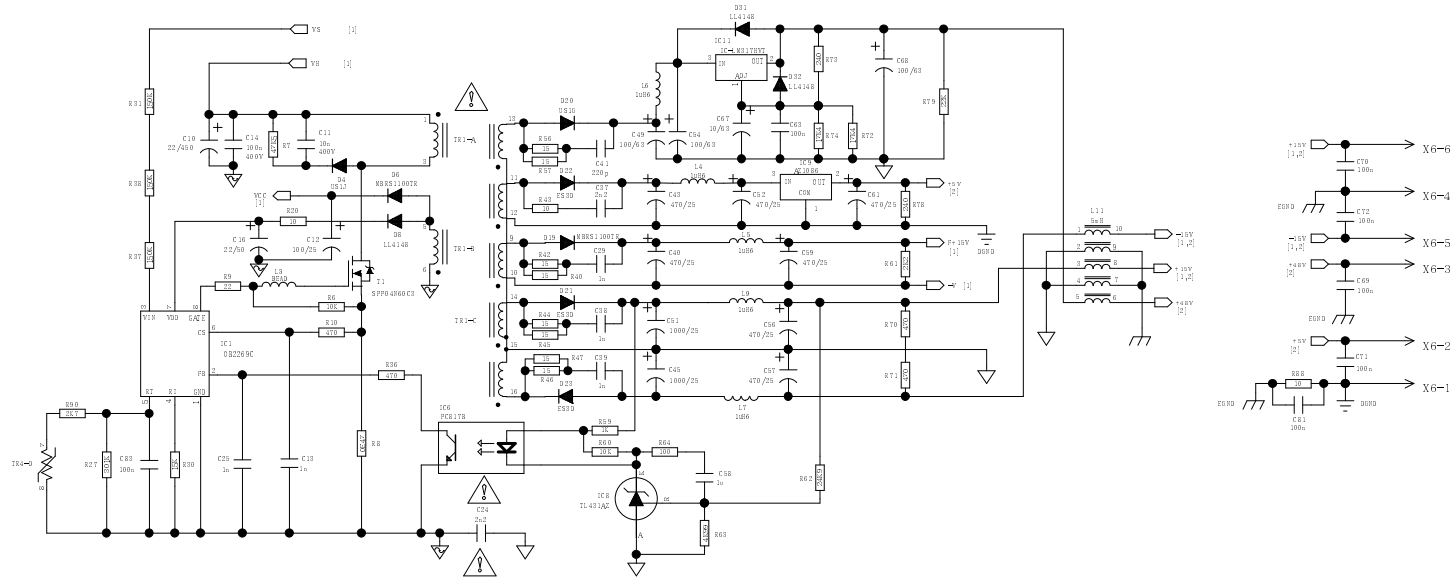
F1	T6:3AHS50V	EU/JAPAN MARKET
	T10AH250V	USA/JAPAN MARKET

JP1,JP2	USA/JAPAN MARKET
JP3	EU/JAPAN MARKET

ALL INFORMATION (INCLUDING DRAWINGS AND DIAGRAMS) CONTAINED IN THIS DOCUMENT IS THE PROPERTY OF BEHRINGER ADDRESSEES WHOM THE INFORMATION IS CONFIDED TO SHALL MAINTAIN THE INFORMATION IN CONFIDENCE AND SHALL NOT RELEASE IT TO ANY UNAUTHORIZED THIRD PARTIES (EXCEPT UNDER ATTORNEY CLIENT PRIVILEGE OR UNDER APPROPRIATE CONFIDENTIALITY AGREEMENTS). ANY UNAUTHORIZED DISCLOSURE, USE, APPLICATION OR ANY OTHER DEALINGS IN THE INFORMATION SHALL RESULT IN CIVIL AND/OR (WHERE APPLICABLE) CRIMINAL LIABILITIES AND PENAL TIES

				DATE	NAME	P0000(SMPSU29) PMP series power supply
			DRWN	2009-09-20	GERH9	
			CHKD			
				APPR		
B	UPDATED BOARDS	191009	QR	BEHRINGER		BEHR
B	MODIFIED	090909	YD			
A	MODIFIED	070709	YD			
REV	CHANGES	DATE	INIT	FILE :MAIN		

SHEET
1 of 2

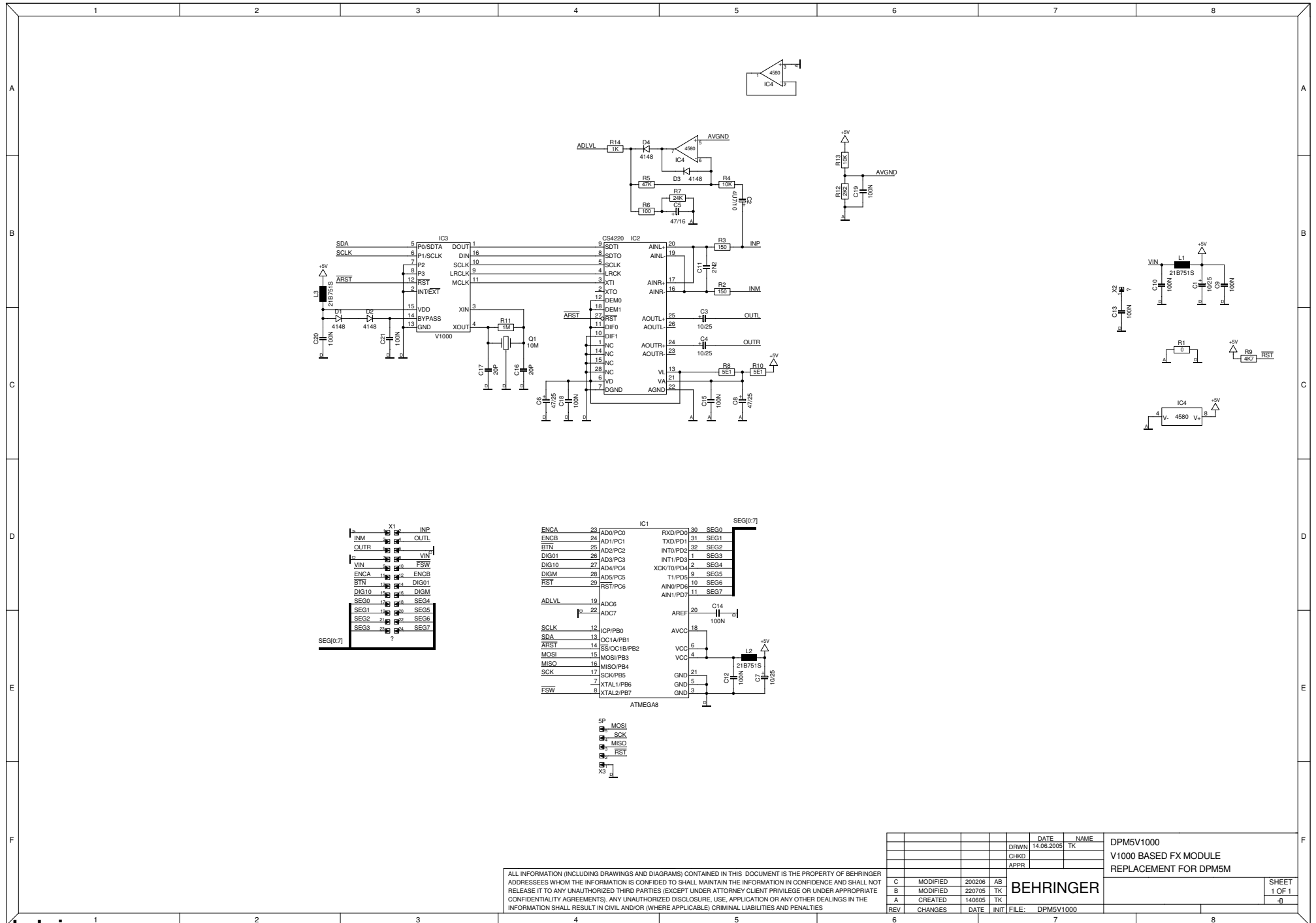


- SC1
- SC2
- SC3
- SC4
- SC5
- SC6
- SC7
- SC8
- SC9
- SC10
- SC11
- SC12
- SC13
- SC14
- SC15
- SC16
- SC17
- SC18
- SC19
- SC20
- SC21
- SC22
- SC23
- SC24
- SC25
- SC26
- SC27
- SC28
- SC29
- SC30
- SC31
- SC32
- SC33
- SC34
- SC35
- SC36
- SC37
- SC38
- SC39
- SC40
- SC41
- SC42
- SC43
- SC44
- SC45
- SC46
- SC47
- SC48
- SC49
- SC50
- SC51
- SC52
- SC53
- SC54
- SC55
- SC56
- SC57
- SC58
- SC59
- SC60
- SC61
- SC62
- SC63
- SC64
- SC65
- SC66
- SC67
- SC68
- SC69
- SC70
- SC71
- SC72
- SC73
- SC74
- SC75
- SC76
- SC77
- SC78
- SC79
- SC80
- SC81
- SC82
- SC83
- SC84
- SC85
- SC86
- SC87
- SC88
- SC89
- SC90
- SC91
- SC92
- SC93
- SC94
- SC95
- SC96
- SC97
- SC98
- SC99
- SC100

ALL INFORMATION (INCLUDING DRAWINGS AND DIAGRAMS) CONTAINED IN THIS DOCUMENT IS THE PROPERTY OF BEHRINGER ADDRESSEES WHOM THE INFORMATION IS CONFIDED TO SHALL MAINTAIN THE INFORMATION IN CONFIDENCE AND SHALL NOT RELEASE IT TO ANY UNAUTHORIZED THIRD PARTIES (EXCEPT UNDER ATTORNEY CLIENT PRIVILEGE OR UNDER APPROPRIATE CONFIDENTIALITY AGREEMENTS). ANY UNAUTHORIZED DISCLOSURE, USE, APPLICATION OR ANY OTHER DEALINGS IN THE INFORMATION SHALL RESULT IN CIVIL AND/OR (WHERE APPLICABLE) CRIMINAL LIABILITIES AND PENAL TIES

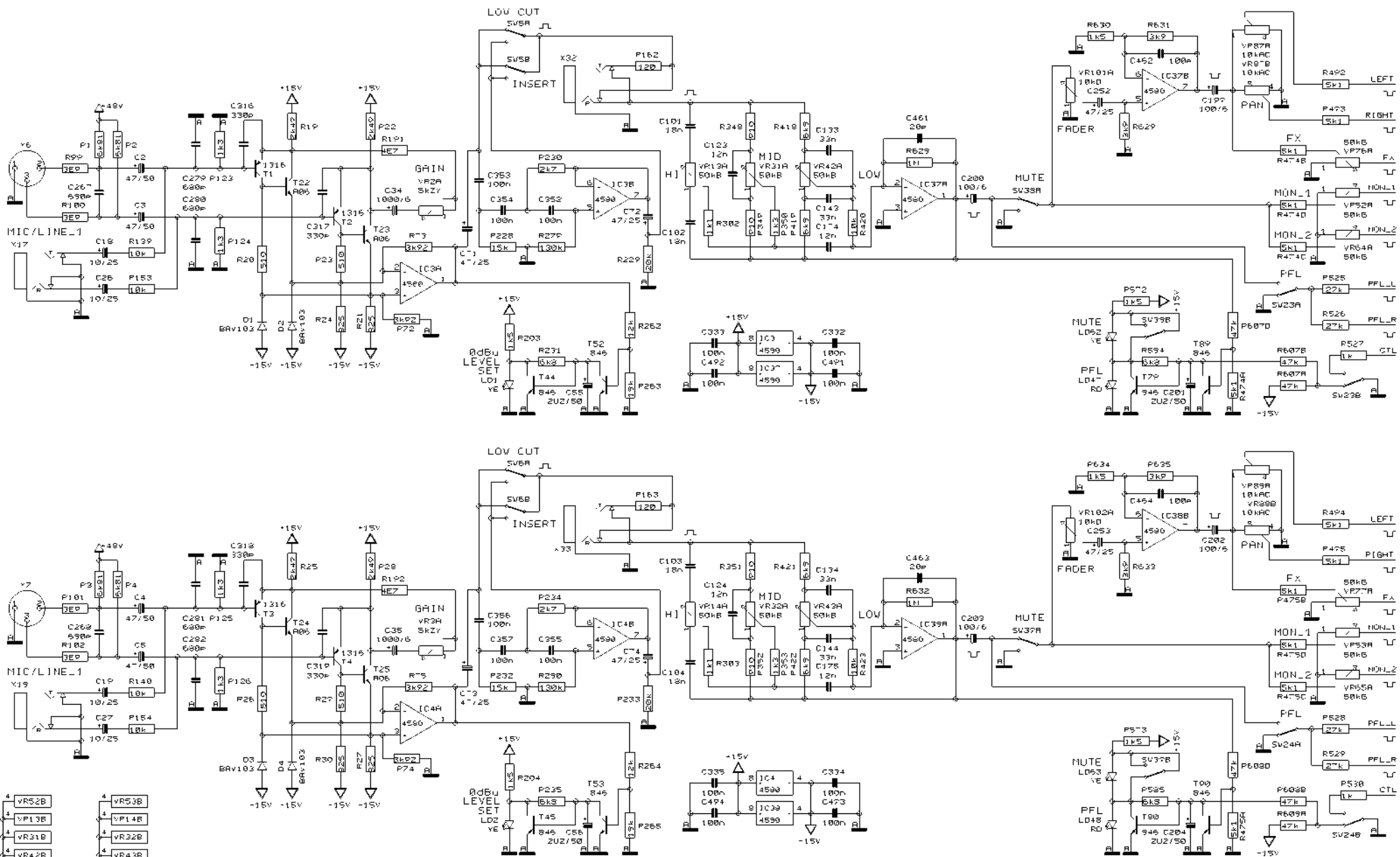
				DATE	NAME	P0000(SMPSU29) PMP series power supply
			DRWN	2009-10-20	BEHR	
			CHKD			
				APPR		
B	UPDATED BOARDS	191009	QR	BEHRINGER		BEHR
B	MODIFIED	090909	YD			
A	MODIFIED	070709	YD			
REV	CHANGES	DATE	INIT	FILE :AUX		

SHEET
2 of 2



ALL INFORMATION (INCLUDING DRAWINGS AND DIAGRAMS) CONTAINED IN THIS DOCUMENT IS THE PROPERTY OF BEHRINGER ADDRESSEES WHOM THE INFORMATION IS CONFIDED TO SHALL MAINTAIN THE INFORMATION IN CONFIDENCE AND SHALL NOT RELEASE IT TO ANY UNAUTHORIZED THIRD PARTIES (EXCEPT UNDER ATTORNEY CLIENT PRIVILEGE OR UNDER APPROPRIATE CONFIDENTIALITY AGREEMENTS). ANY UNAUTHORIZED DISCLOSURE, USE, APPLICATION OR ANY OTHER DEALINGS IN THE INFORMATION SHALL RESULT IN CIVIL AND/OR (WHERE APPLICABLE) CRIMINAL LIABILITIES AND PENALTIES

REV	CHANGES	DATE	INIT	FILE:	DATE	NAME	DESCRIPTION	SHEET
C	MODIFIED	200206	AB		14.06.2005	TK	DPMSV1000	1 OF 1
B	MODIFIED	220705	TK				V1000 BASED FX MODULE	
A	CREATED	140605	TK				REPLACEMENT FOR DPMS5M	
REV	CHANGES	DATE	INIT	FILE:	DPMSV1000			

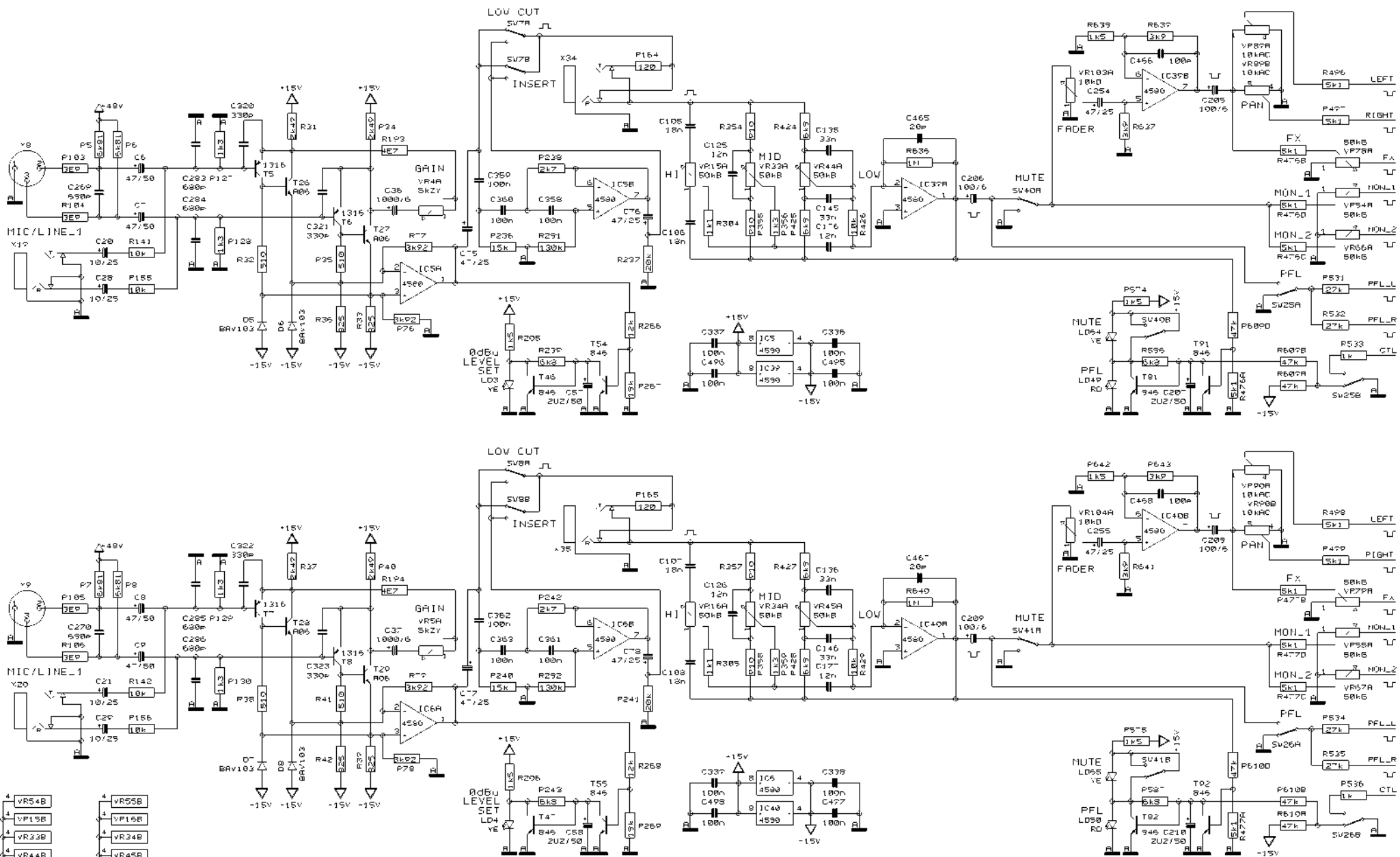


REVISIONS		F (16/08/05)	
DRAWN	SA	CHECKED	DATE 24.11. 6 15:45



PROJECT
PMH3000
EUROPOWER
MONO CHANNEL 1-2
SHEET 1 OF 10 SHEETS TOTAL

- 4 VR52B
- 4 VP13B
- 4 VR31B
- 4 VR42B
- 4 VP64B
- 4 VP76B
- 4 VR101B
- 4 VP97C
- 4 VP2B
- 4 VR53B
- 4 VP14B
- 4 VR32B
- 4 VR43B
- 4 VP65B
- 4 VP77B
- 4 VR102B
- 4 VP98C
- 4 VP3B

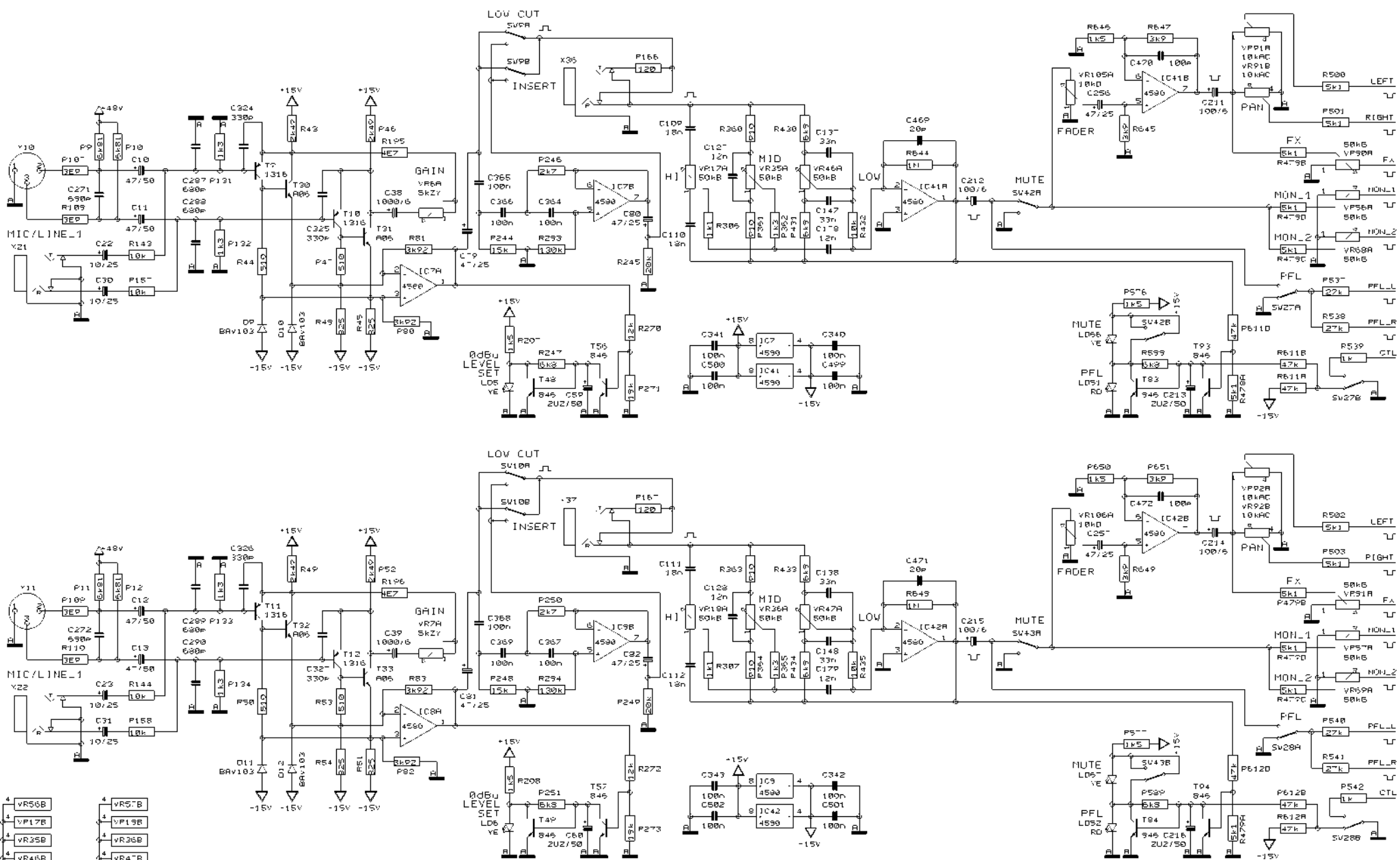


- 4 VR54B
- 4 VP15B
- 4 VR33B
- 4 VR44B
- 4 VP55B
- 4 VP77B
- 4 VR109B
- 4 VP99C
- 4 VP46
- 4 VR55B
- 4 VP15R
- 4 VR34B
- 4 VR45B
- 4 VP57B
- 4 VP78B
- 4 VR104B
- 4 VP20C
- 4 VP56

REVISIONS		F	
DRAWN	SA	CHECKED	
DATE		24.11. 6	
		15:45	


 Specialized Studio Equipment

PROJECT
 PMH3000
 EUROPOWER
 MONO CHANNEL 3-4
 SHEET 2 OF 10 SHEETS TOTAL

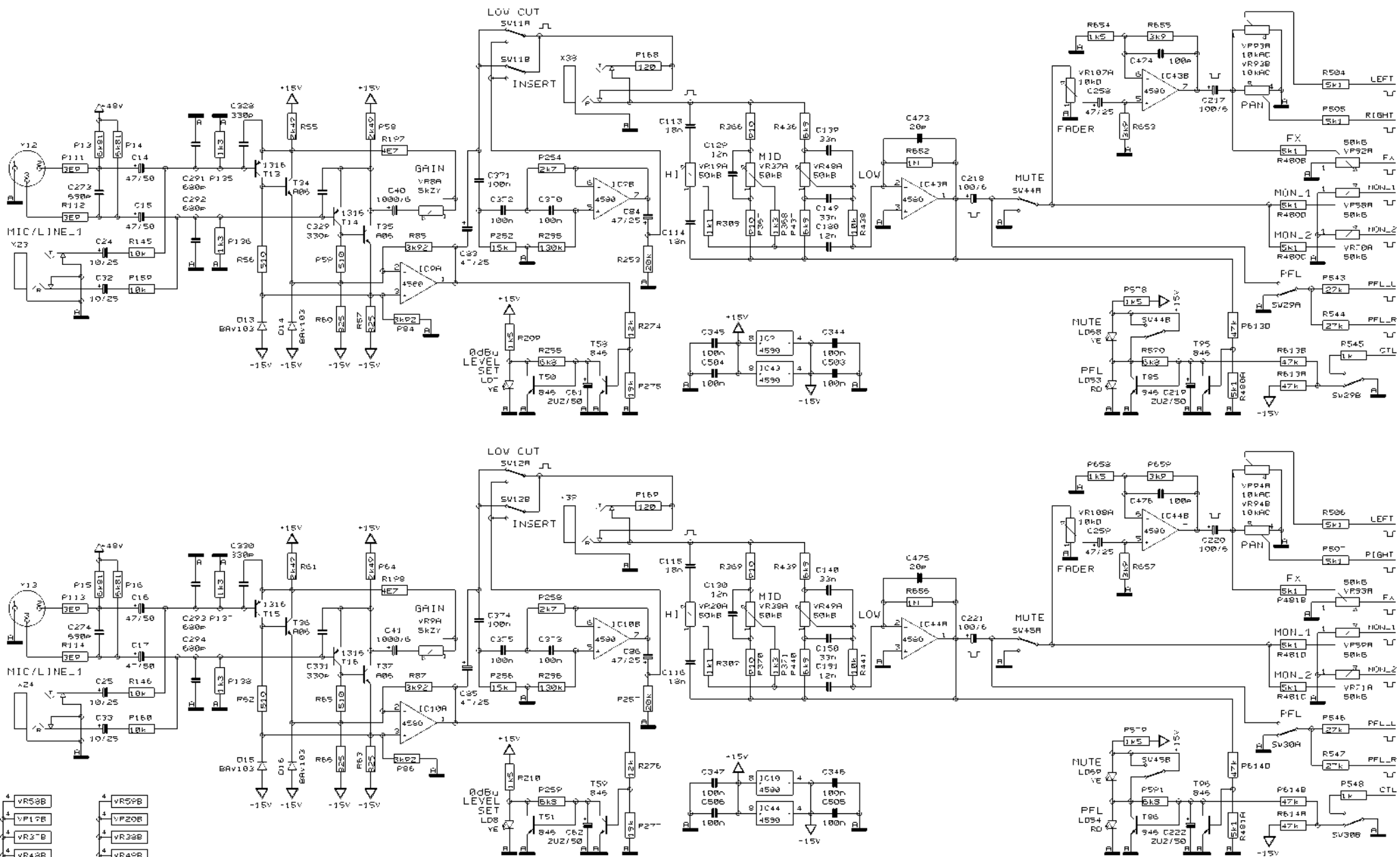


- 4 VR50B
- 4 VR17B
- 4 VR25B
- 4 VR46B
- 4 VP59B
- 4 VP90B
- 4 VR105B
- 4 VP71C
- 4 VP66
- 4 VR57B
- 4 VR19B
- 4 VR36B
- 4 VR47B
- 4 VP67B
- 4 VP81B
- 4 VR106B
- 4 VP22C
- 4 VP76

REVISIONS		F	
DRAWN	SA	CHECKED	
DATE		24.11. 6	
		15:45	



PROJECT
 PMH3000
 EUROPOWER
 MONO CHANNEL 5-6
 SHEET 3 OF 10 SHEETS TOTAL



- 4 VR50B
- 4 VP17B
- 4 VR27B
- 4 VR40B
- 4 VP70B
- 4 VP92B
- 4 VR107B
- 4 VP23C
- 4 VP9B
- 4 VR50B
- 4 VP20B
- 4 VR30B
- 4 VR40B
- 4 VP71B
- 4 VP93B
- 4 VR108B
- 4 VP24C
- 4 VP2B

REVISIONS
F

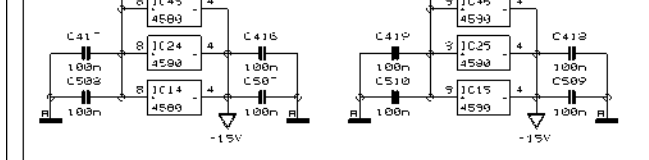
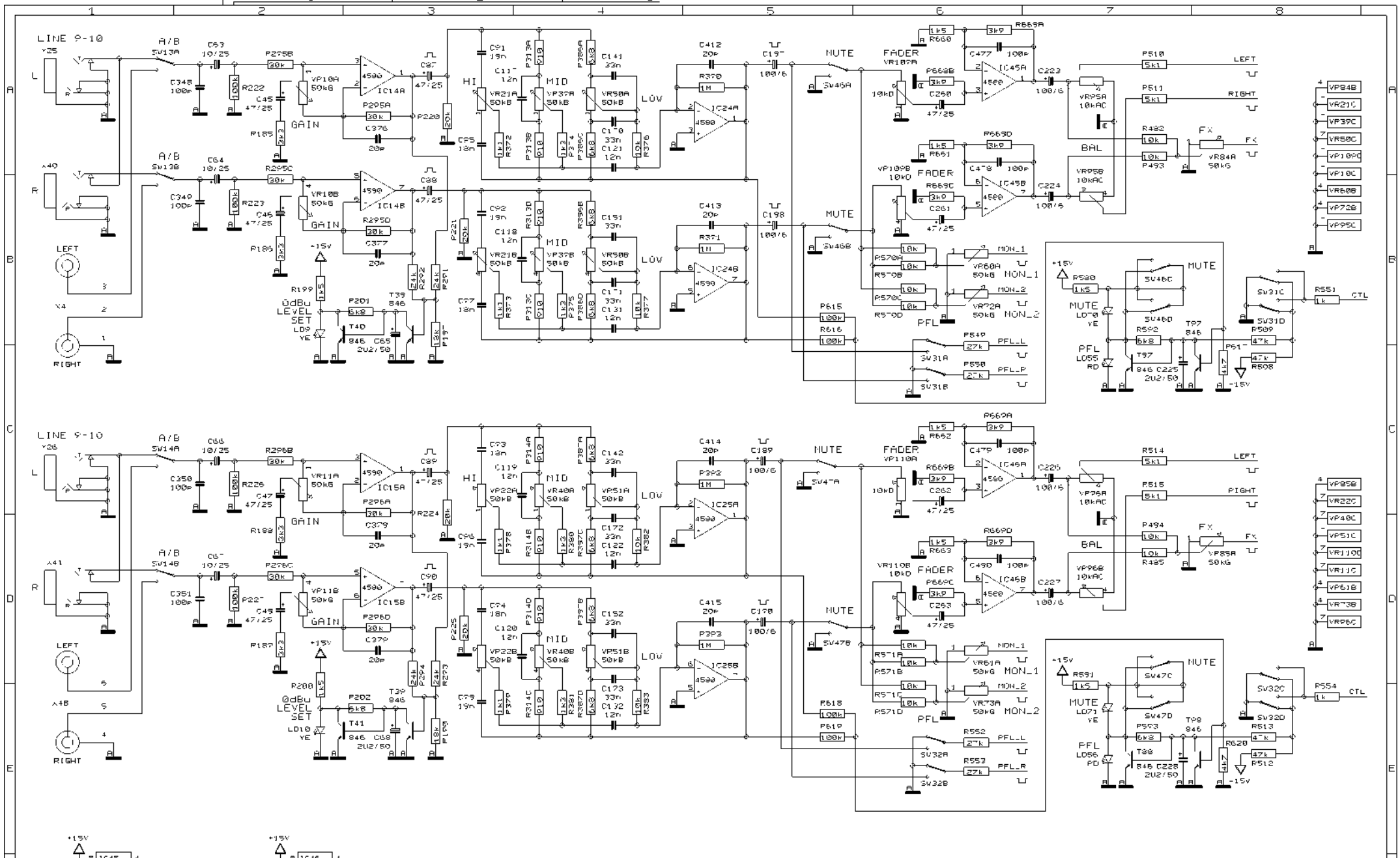
DRAWN SA

CHECKED

DATE 24.11. 6
15:45



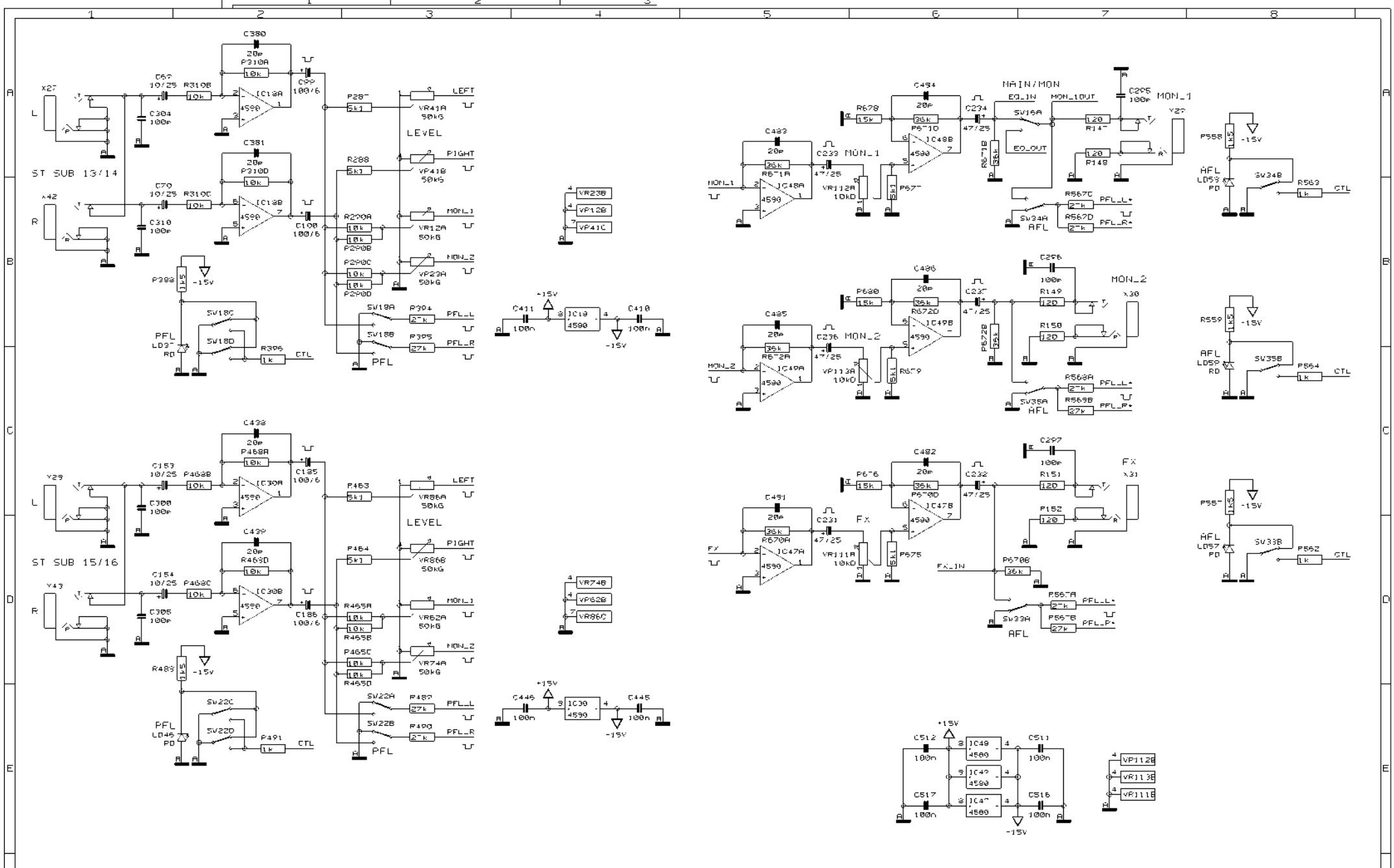
PROJECT
PMH3000
EUROPOWER
MONO CHANNEL 7-8
SHEET 4 OF 10 SHEETS TOTAL



REVISIONS		F	
DRAWN	SA	CHECKED	
DATE 24.11. 6		15:45	

BEHRINGER
Specialized Studio Equipment

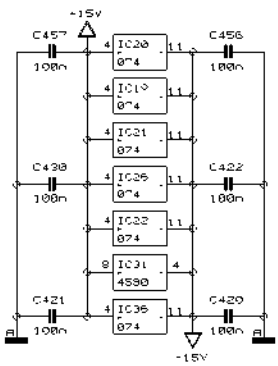
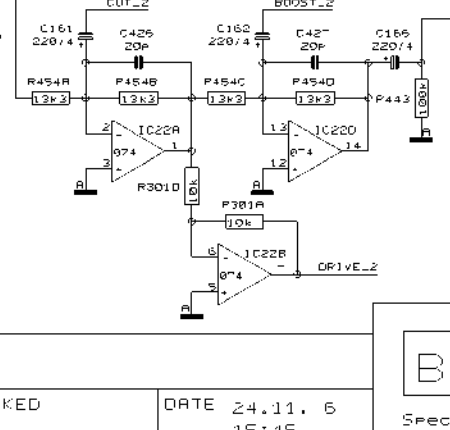
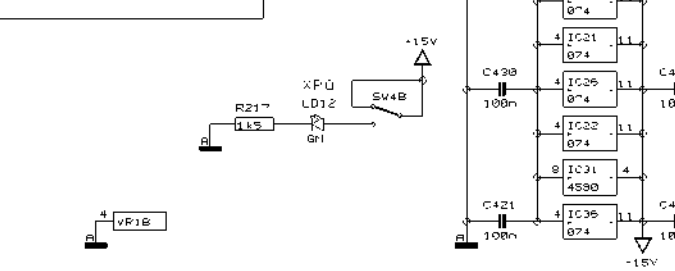
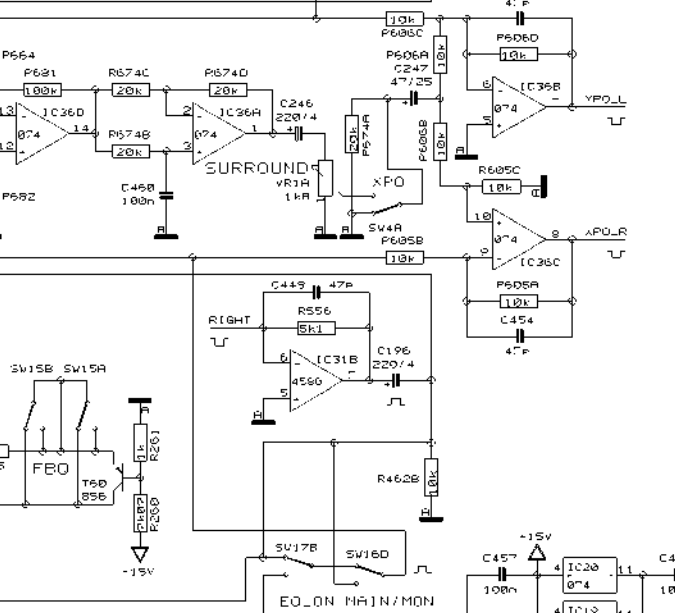
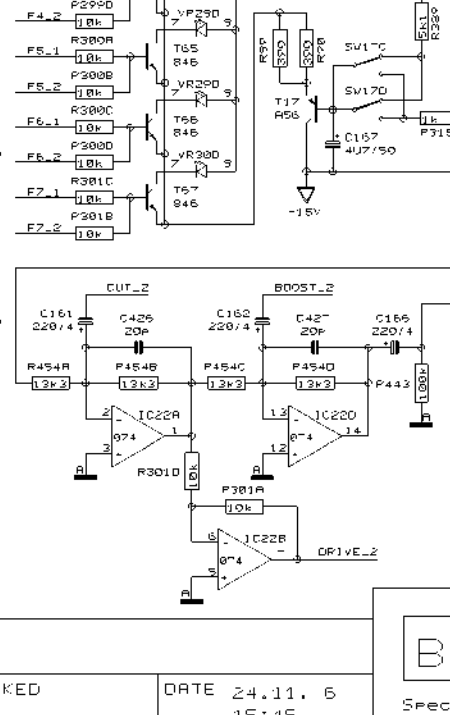
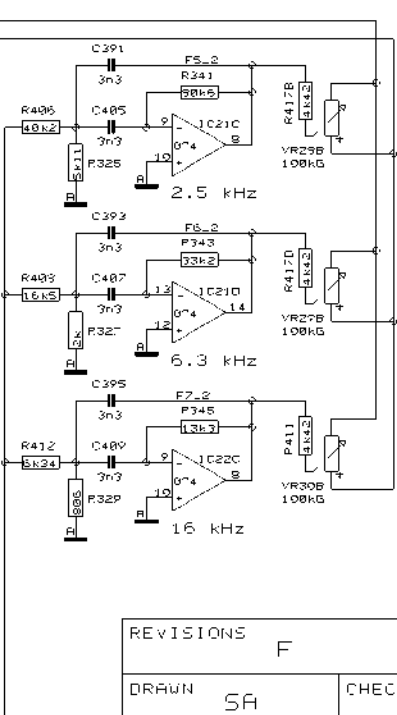
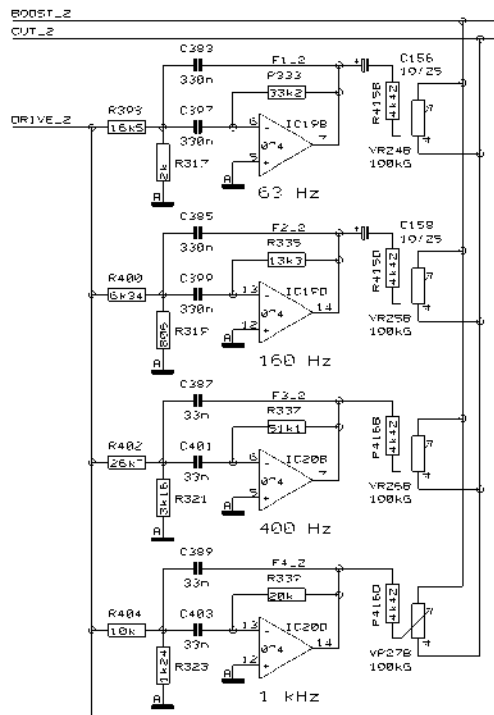
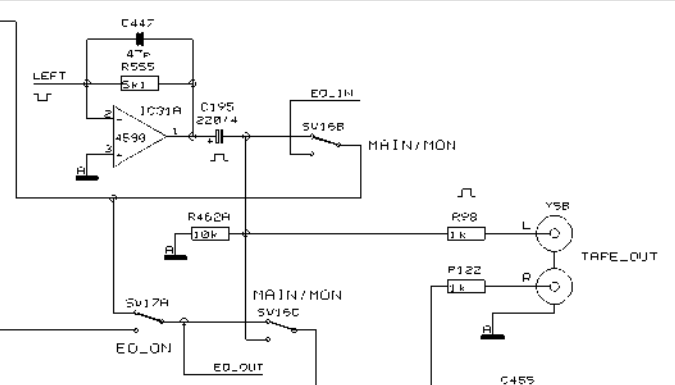
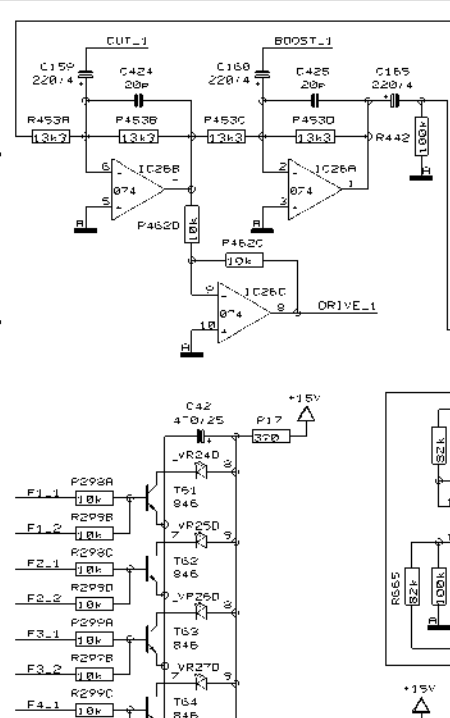
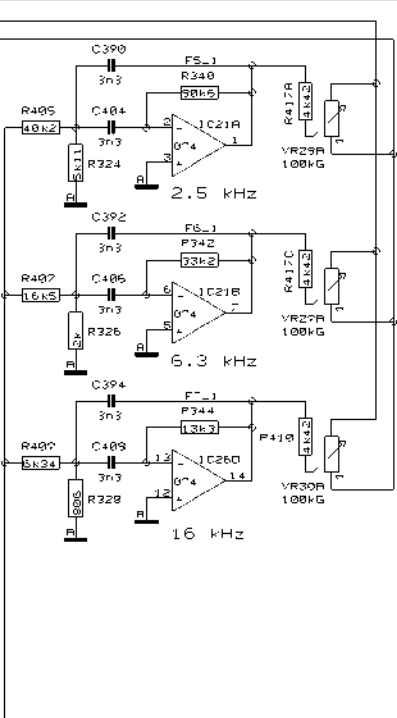
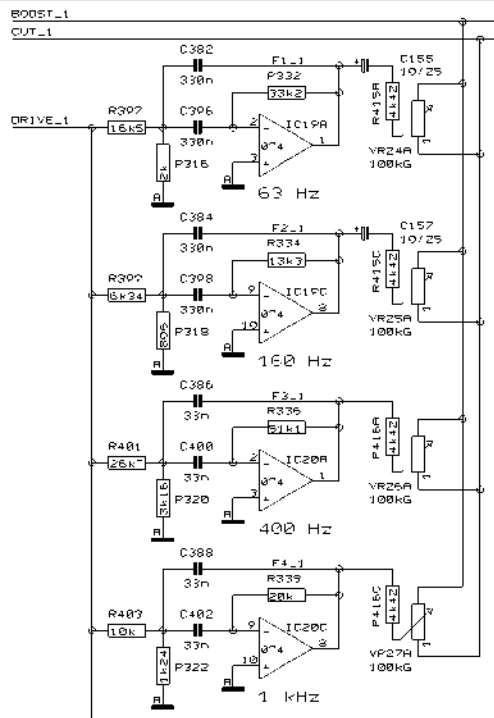
PROJECT
PMH3000
EUROPOWER
STEREO CHANNEL 9-12
SHEET 5 OF 10 SHEETS TOTAL



REVISIONS		F	
DRAWN	SA	CHECKED	DATE 24.11. 6 15:45



PROJECT
PMH3000
EUROPOWER
ST SUBS / MON, FX OUTS
SHEET 6 OF 10 SHEETS TOTAL



REVISIONS
F

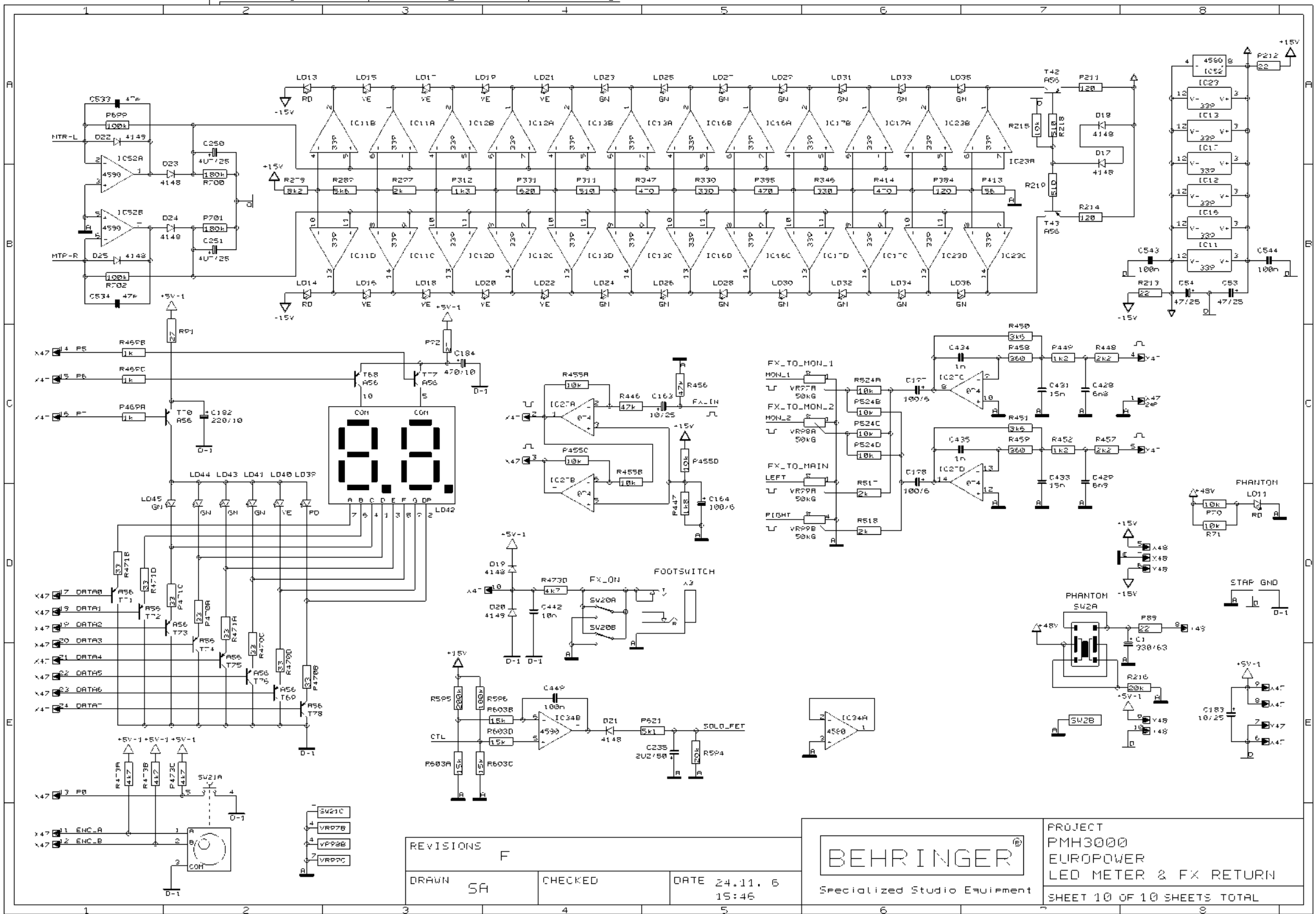
DRAWN SA

CHECKED

DATE 24.11. 6
15:45

BEHRINGER
Specialized Studio Equipment

PROJECT
PMH3000
EUROPOWER
GRAPHIC EO / FBO / XPO
SHEET 7 OF 10 SHEETS TOTAL



REVISIONS		
F		
DRAWN	CHECKED	DATE
SA		24.11. 6
		15:46


 Specialized Studio Equipment

PROJECT
 PMH3000
 EUROPOWER
 LED METER & FX RETURN
 SHEET 10 OF 10 SHEETS TOTAL