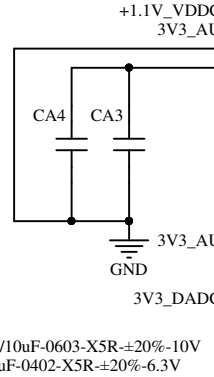
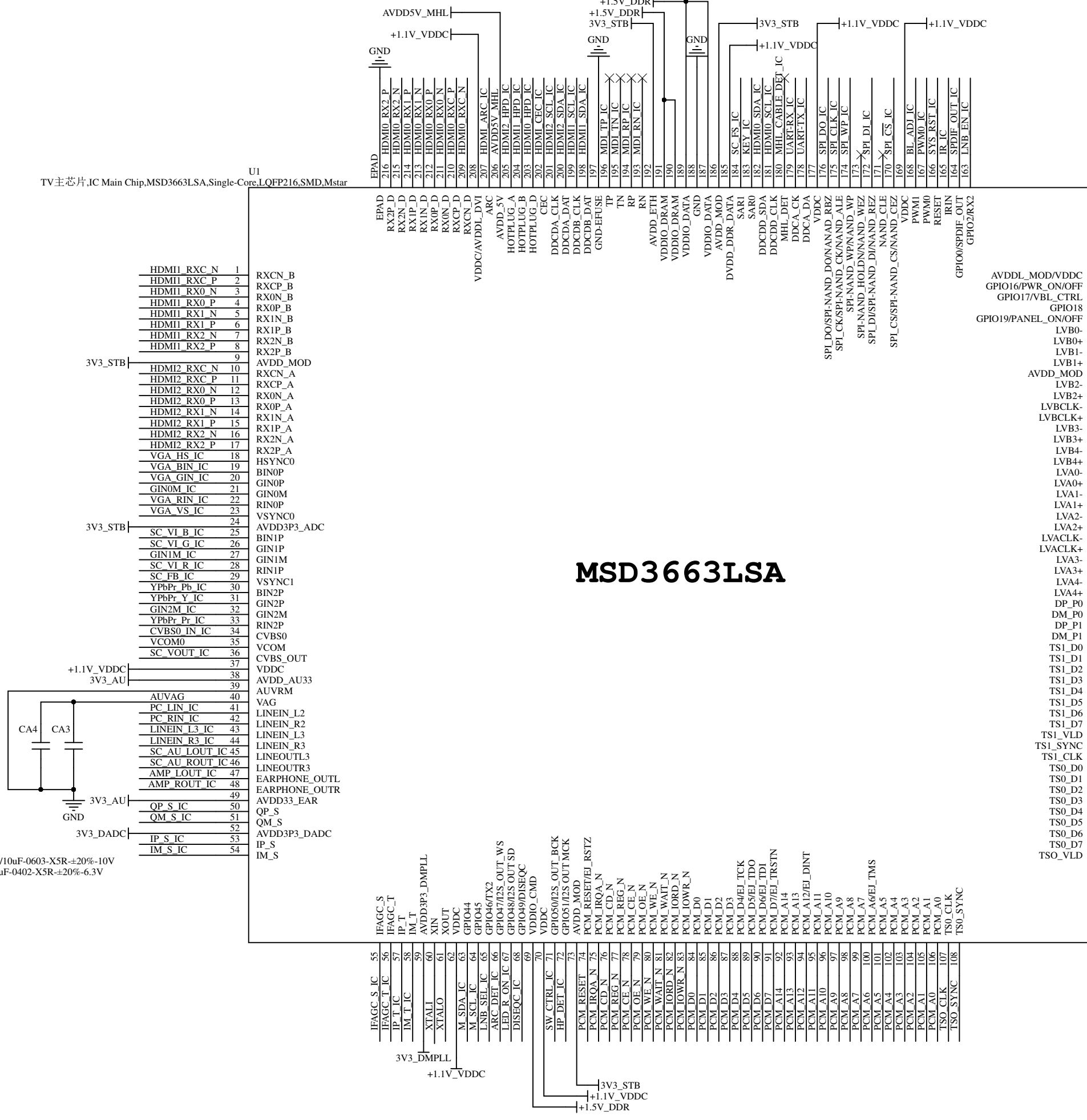
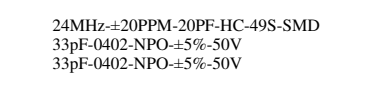


TV主芯片 IC Main Chip, MSD3663LSA, Single-Core, LQFP216, SMD, Mstar

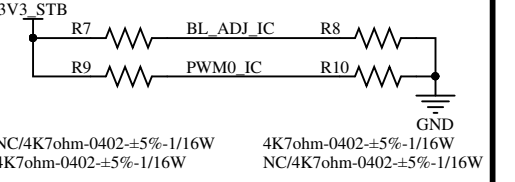
MSD3663LSA



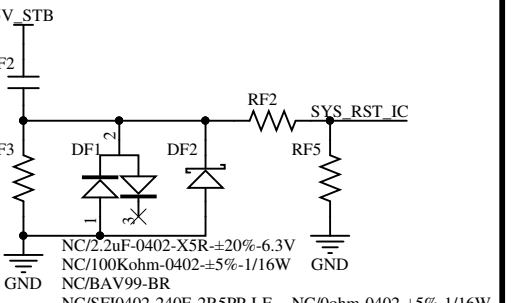
NC/10uF-0603-X5R ±20%-10V
2.2uF-0402-X5R ±20%-6.3V



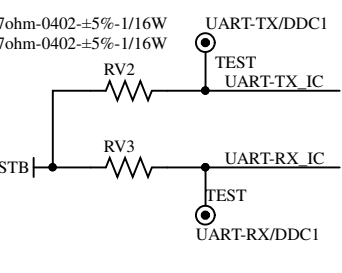
24MHz ±20PPM-20PF-HC-49S-SMD
33pF-0402-NPO ±5%-50V
33pF-0402-NPO ±5%-50V



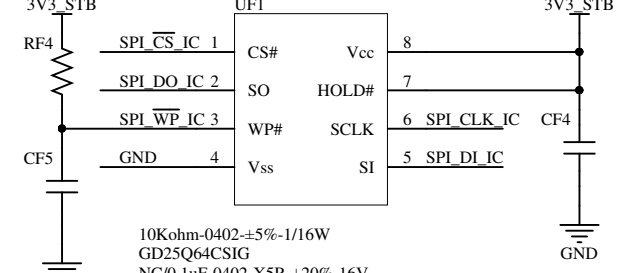
NC/4K7ohm-0402 ±5%-1/16W
4K7ohm-0402 ±5%-1/16W
NC/4K7ohm-0402 ±5%-1/16W



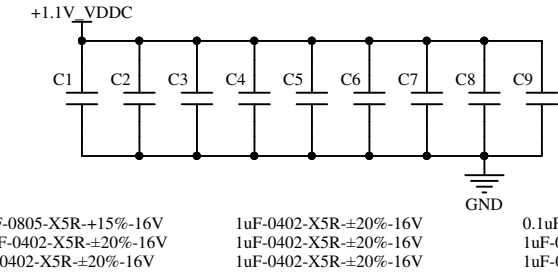
NC/2.2uF-0402-X5R ±20%-6.3V
NC/100Kohm-0402 ±5%-1/16W
NC/BAV99-BR
NC/SF10402-240E-2R5PP-1F
NC/10Kohm-0402 ±5%-1/16W



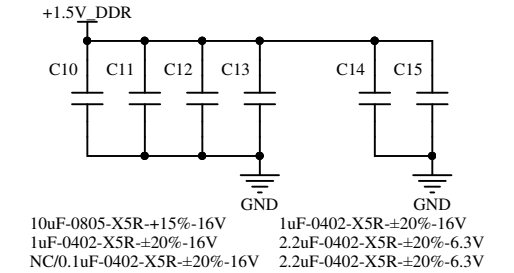
4K7ohm-0402 ±5%-1/16W
4K7ohm-0402 ±5%-1/16W
4K7ohm-0402 ±5%-1/16W



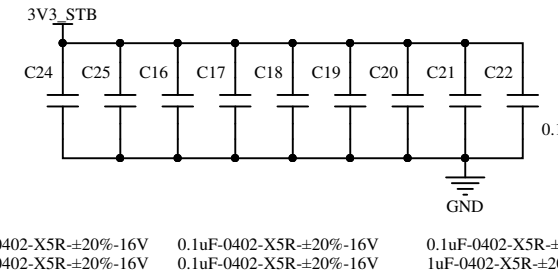
10Kohm-0402 ±5%-1/16W
GD25064CSIG
NC/0.1uF-0402-X5R ±20%-16V
0.1uF-0402-X5R ±20%-16V



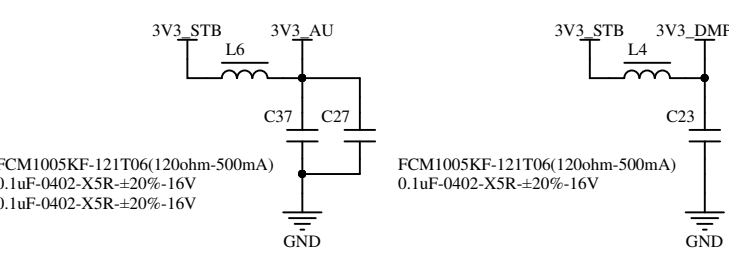
10uF-0805-X5R ±15%-16V
0.1uF-0402-X5R ±20%-16V
1uF-0402-X5R ±20%-16V



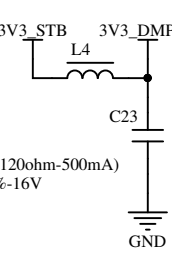
10uF-0805-X5R ±15%-16V
1uF-0402-X5R ±20%-16V
NC/0.1uF-0402-X5R ±20%-16V



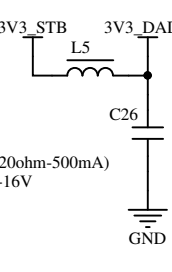
0.1uF-0402-X5R ±20%-16V
0.1uF-0402-X5R ±20%-16V
10uF-0805-X5R ±15%-16V



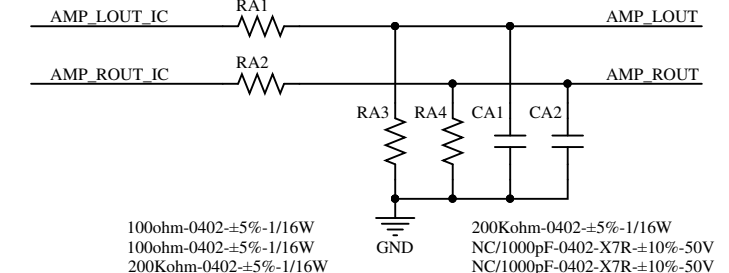
FCM1005KF-121T06(120ohm-500mA)
0.1uF-0402-X5R ±20%-16V



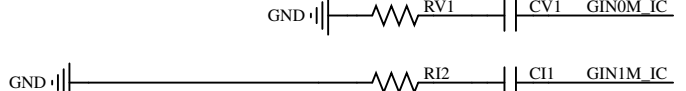
FCM1005KF-121T06(120ohm-500mA)
0.1uF-0402-X5R ±20%-16V



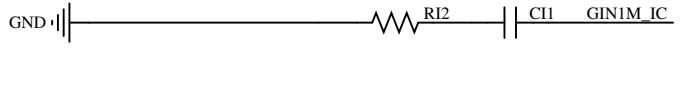
FCM1005KF-121T06(120ohm-500mA)
0.1uF-0402-X5R ±20%-16V



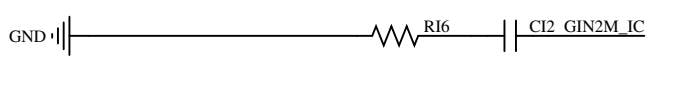
100ohm-0402 ±5%-1/16W
100ohm-0402 ±5%-1/16W
200Kohm-0402 ±5%-1/16W
NC/1000pF-0402-X7R ±10%-50V
NC/1000pF-0402-X7R ±10%-50V



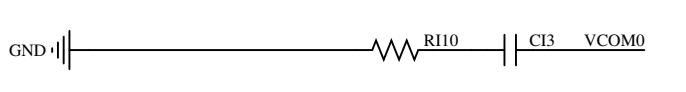
68ohm-0402 ±5%-1/16W
0.047uF-0402-X7R ±10%-16V



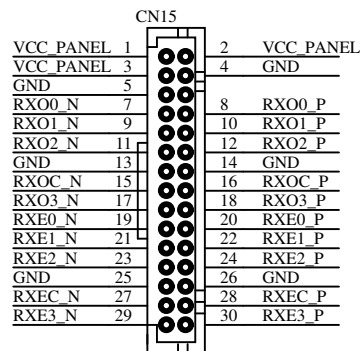
68ohm-0402 ±5%-1/16W
0.047uF-0402-X7R ±10%-16V



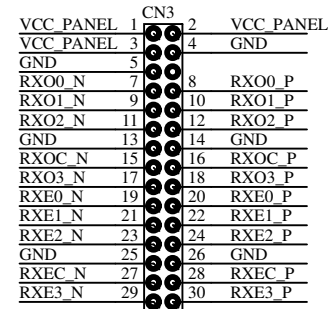
68ohm-0402 ±5%-1/16W
0.047uF-0402-X7R ±10%-16V



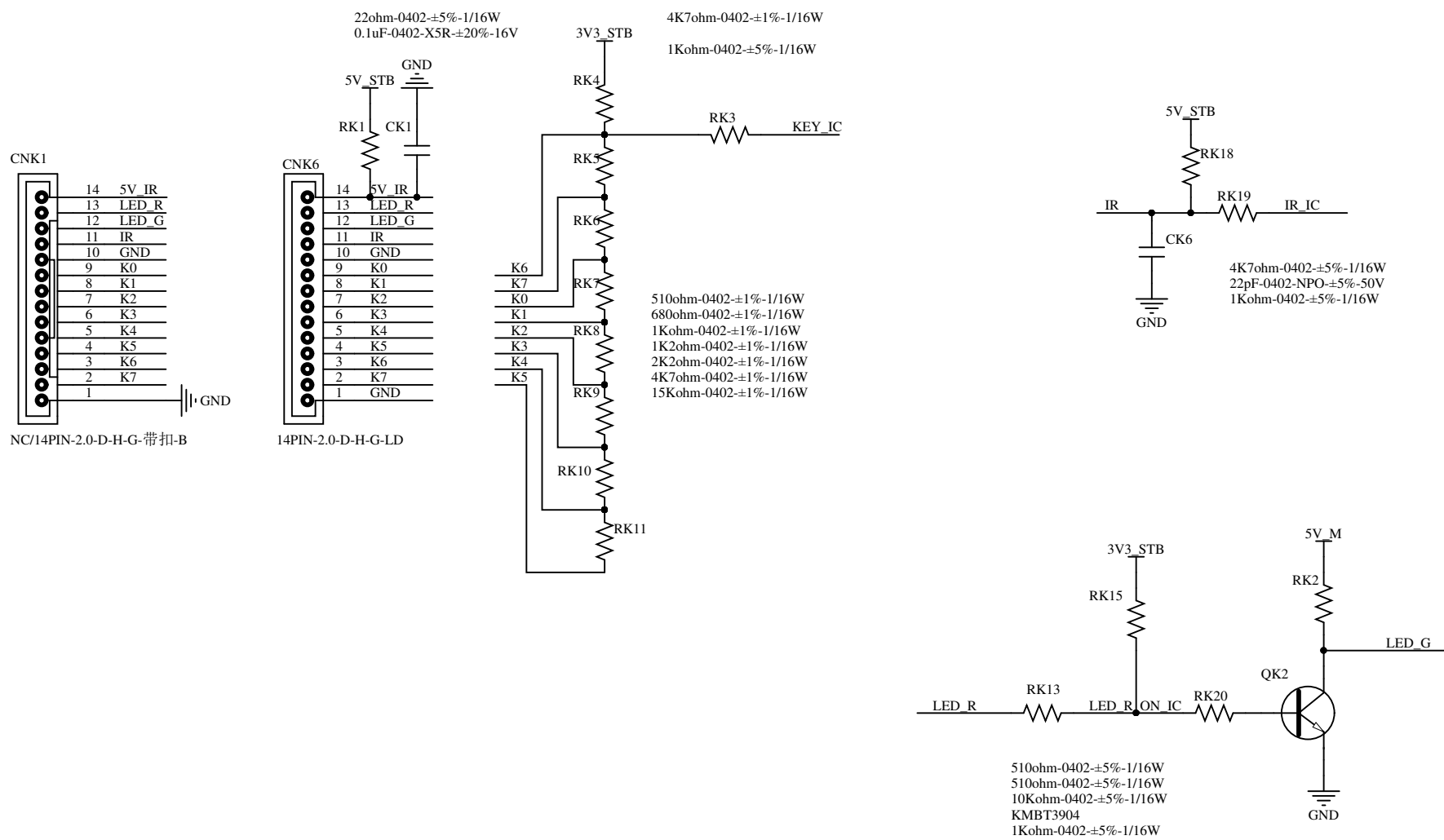
180ohm-0402 ±5%-1/16W
0.047uF-0402-X7R ±10%-16V

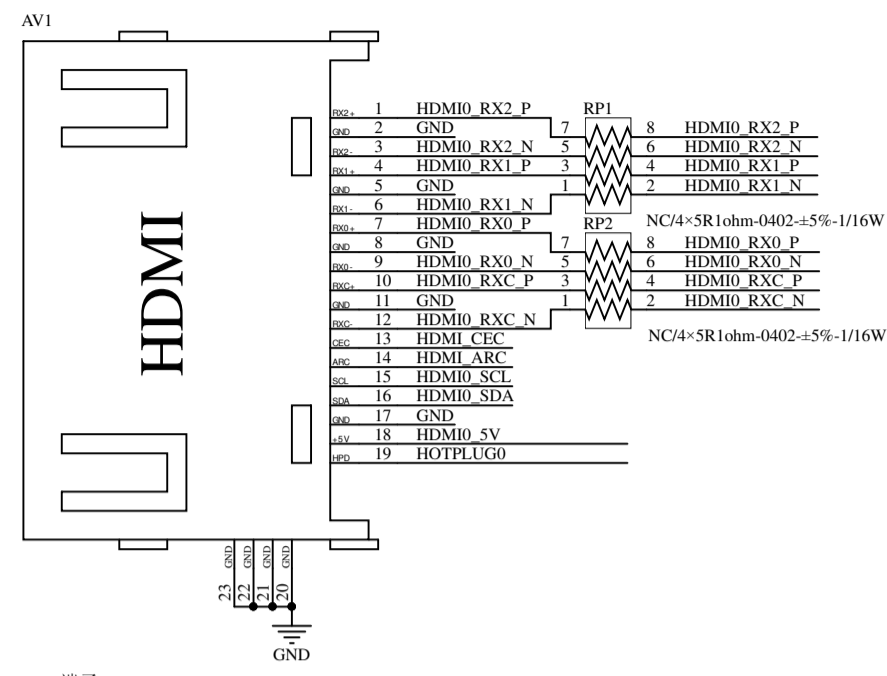


NC/连接插座,connect jack,2×15Pin/without pin6,D2.0,D,SNAP,Fool-proofing,Nature,L=2.6mm,DIP,CJ

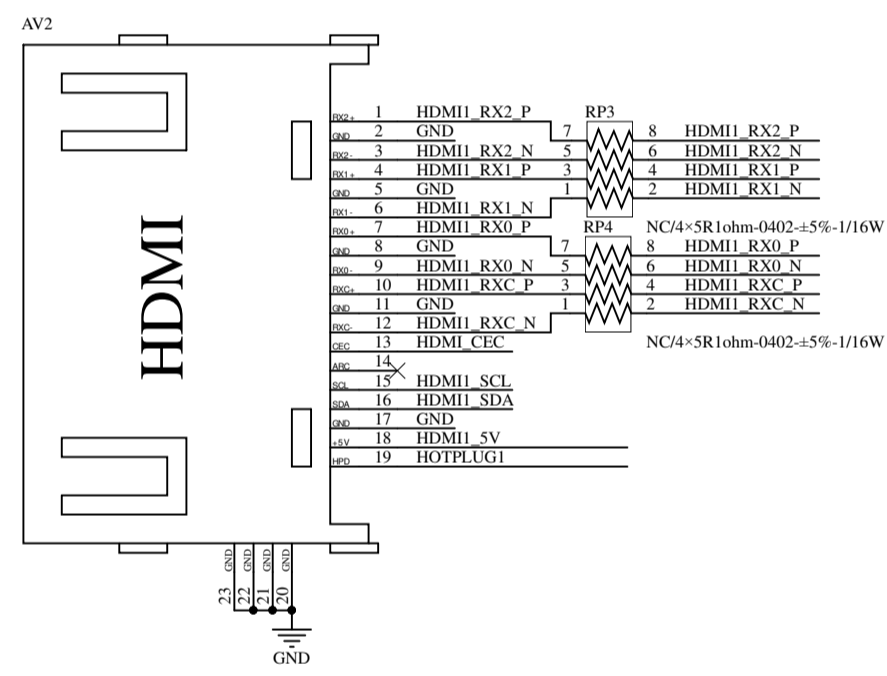
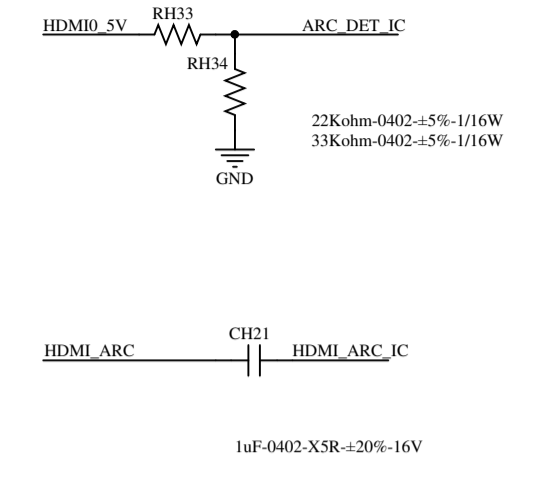
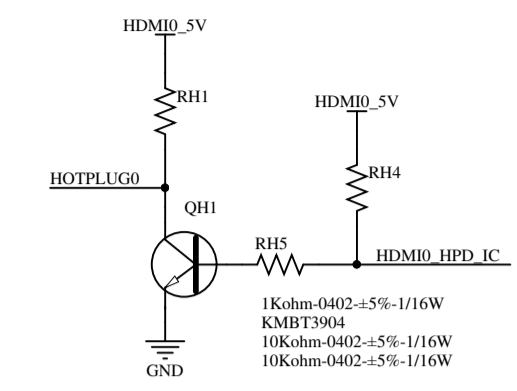
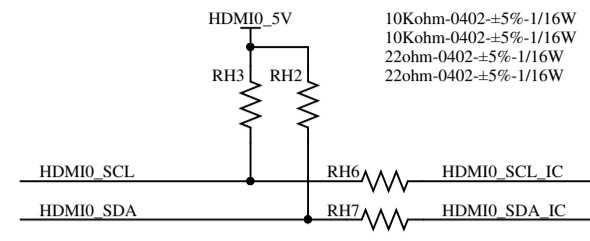


金针,pin connector,2×15Pin/without pin6,D,D2.0,L=1.9mm,SMD,LD

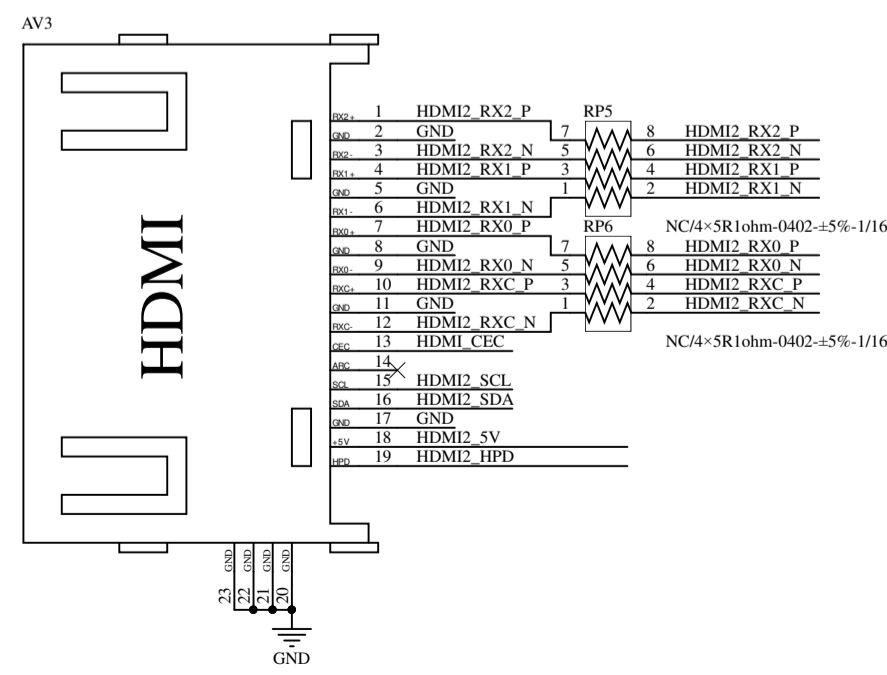
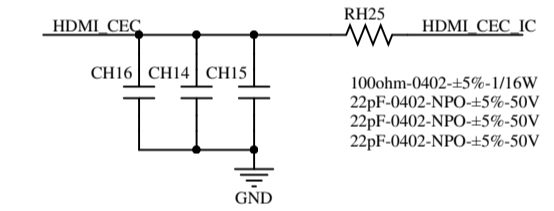
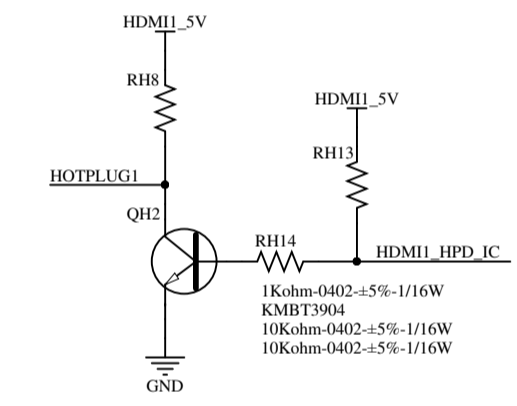
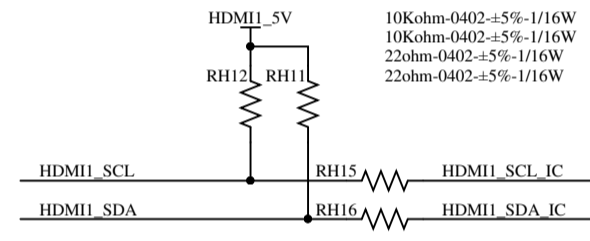




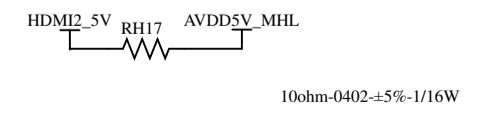
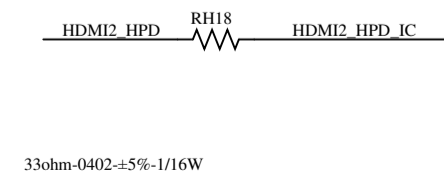
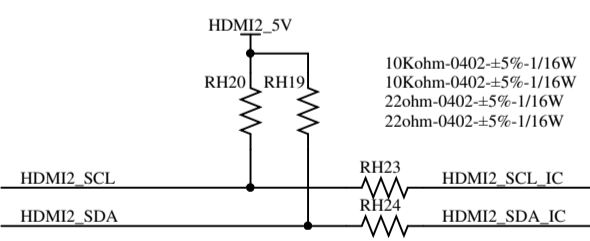
HDMI端子,HDMI Jack,H,SMD,WLDM-068A,WLCO



HDMI端子,HDMI Jack,H,SMD,WLDM-068A,WLCO

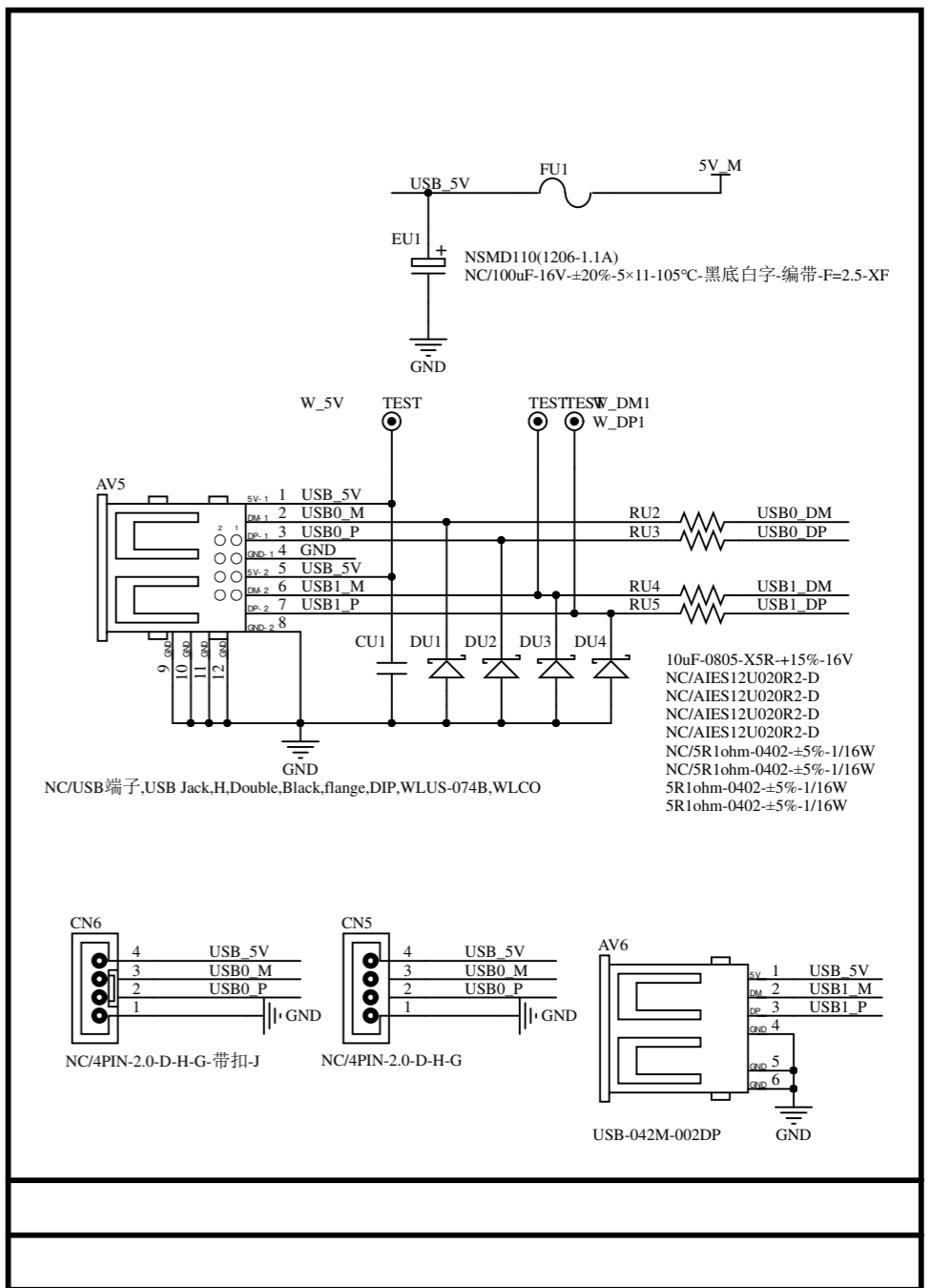
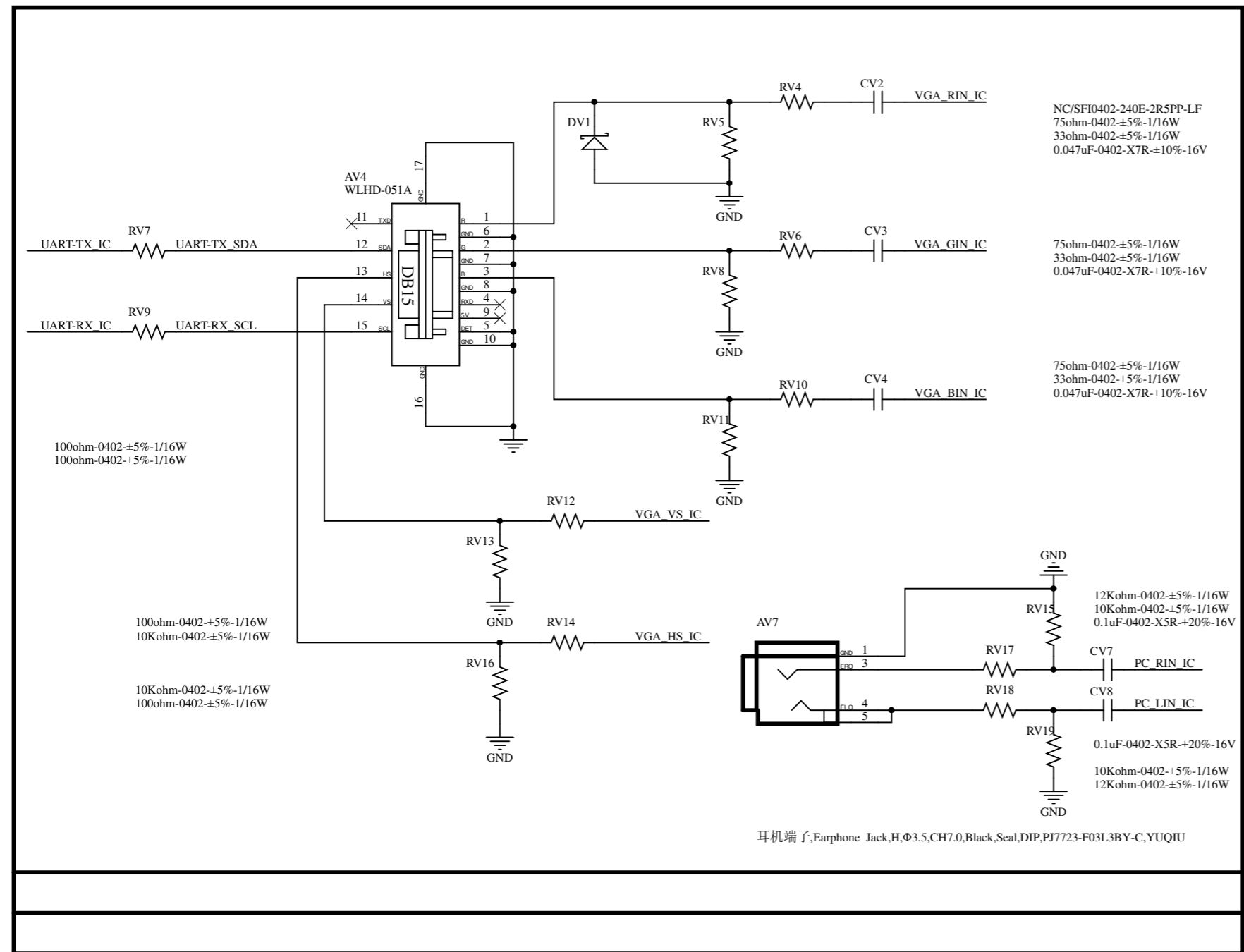


HDMI端子,HDMI Jack,H,SMD,WLDM-068A,WLCO



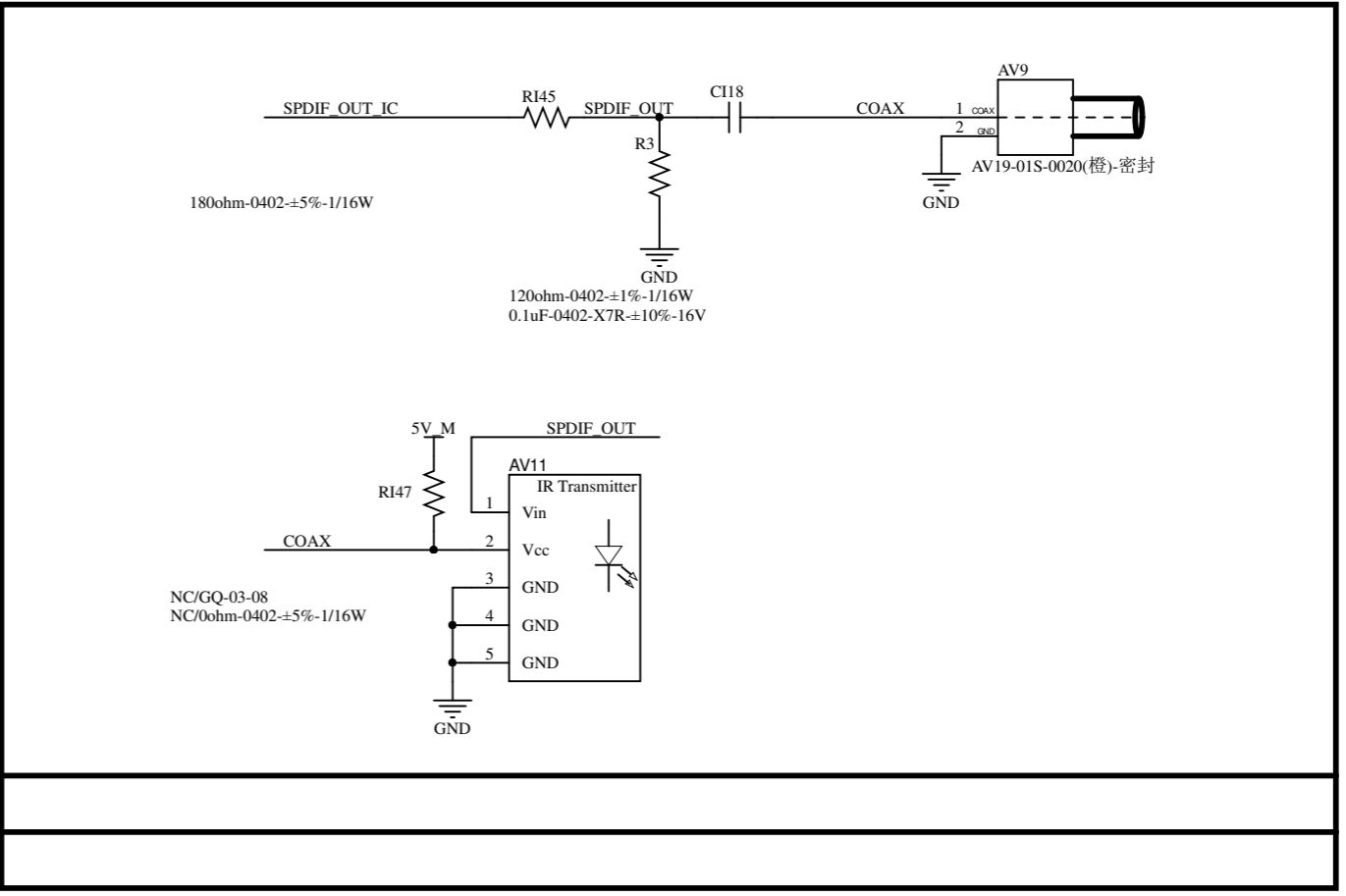
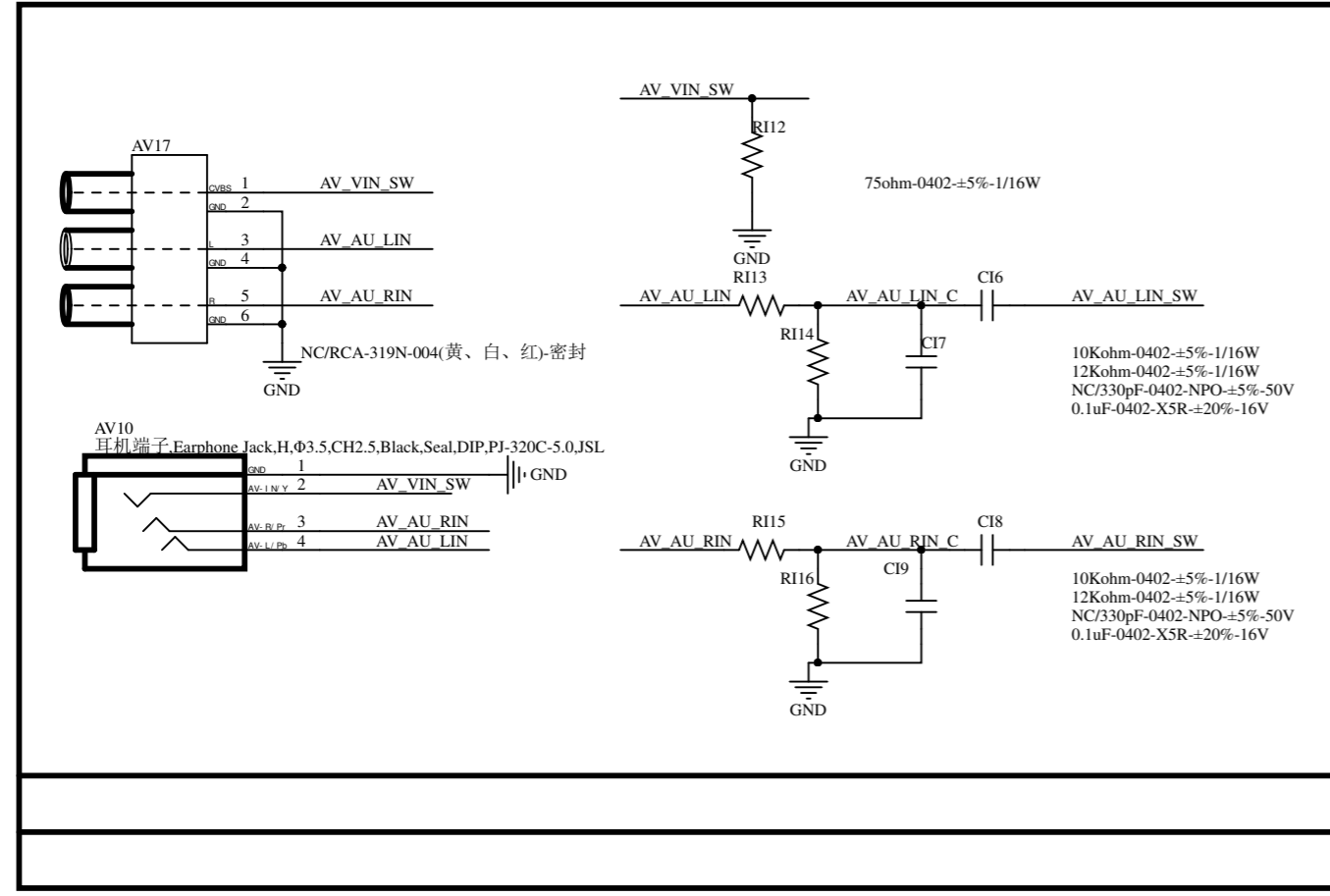
A

B

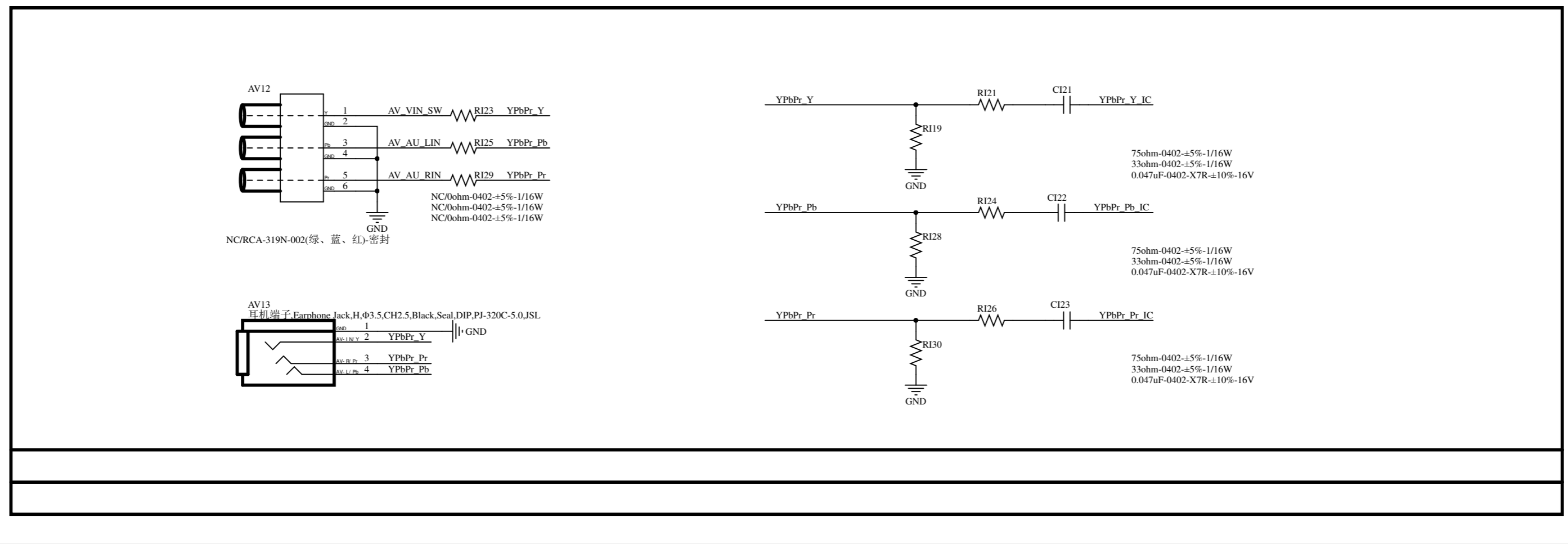


A

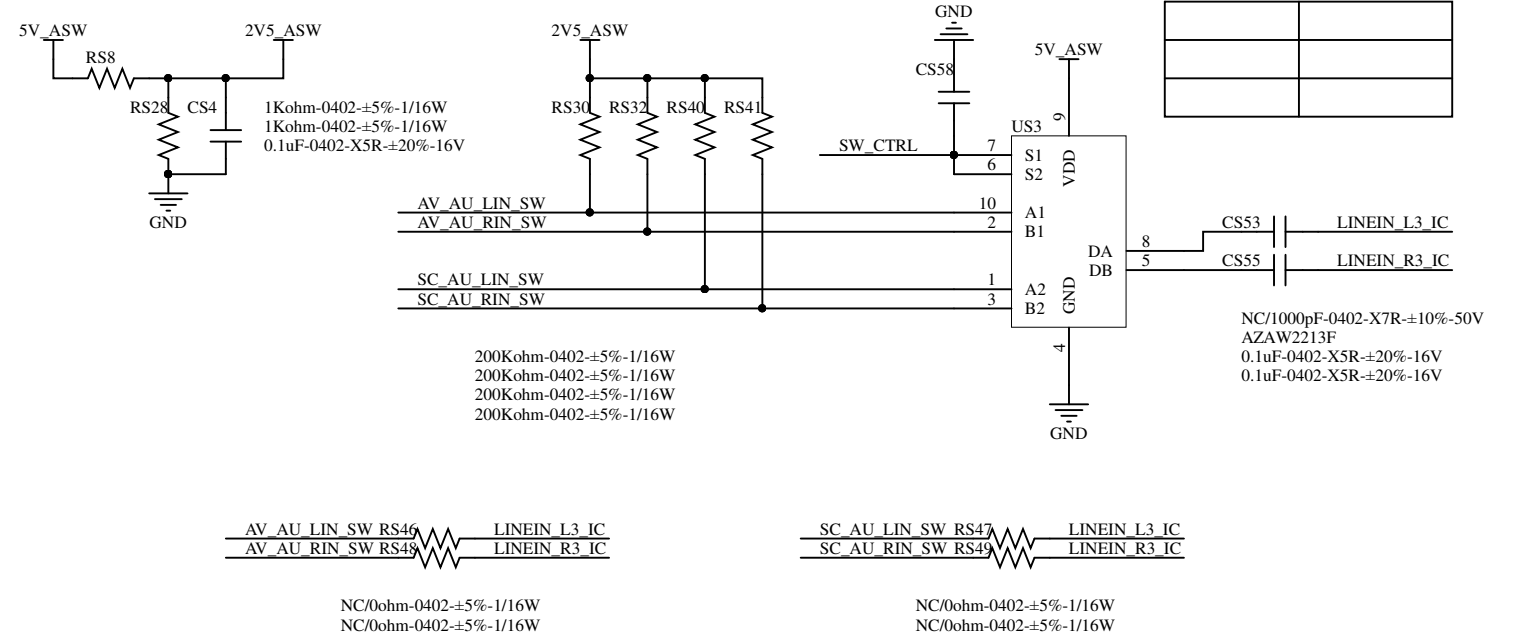
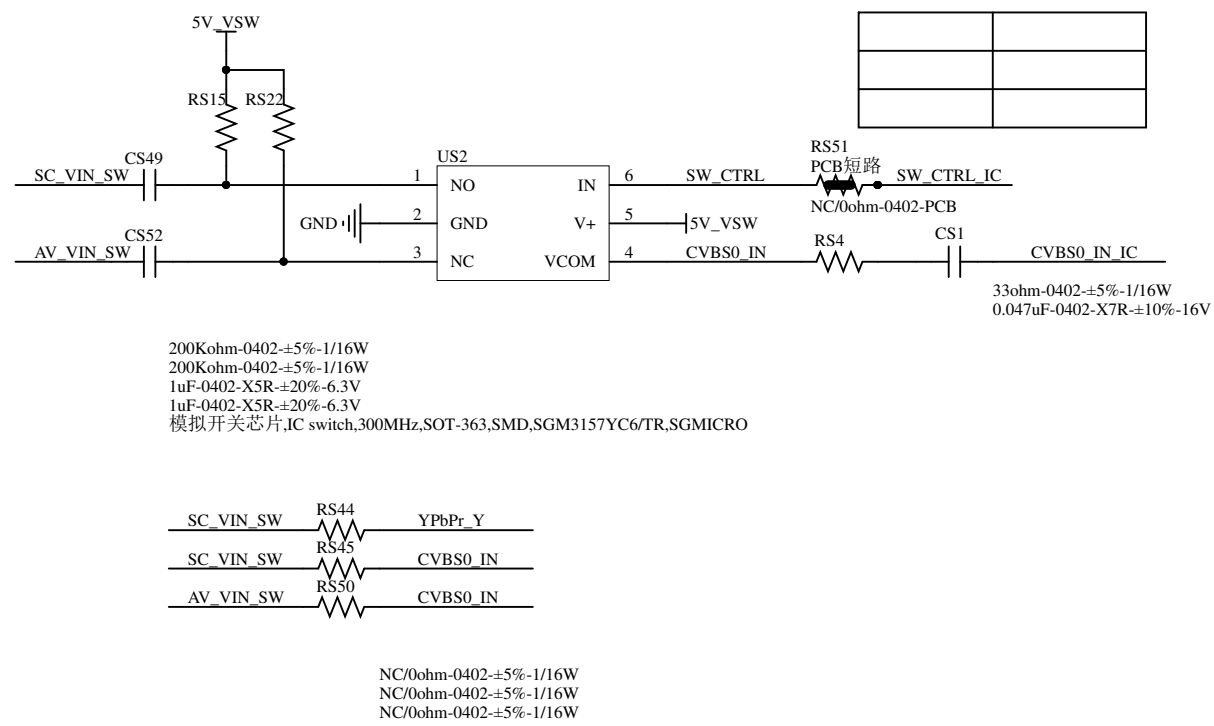
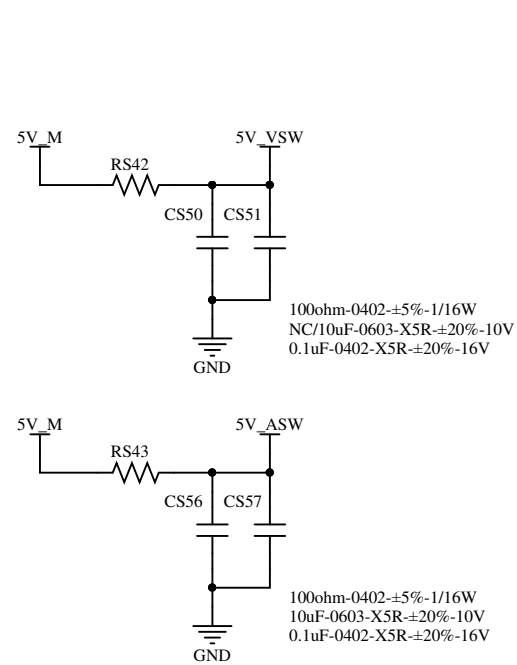
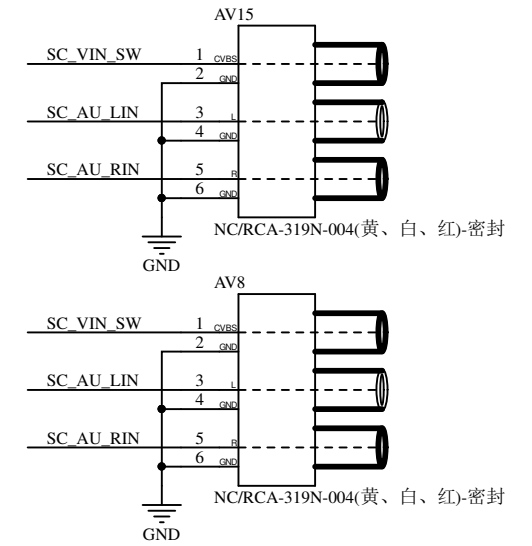
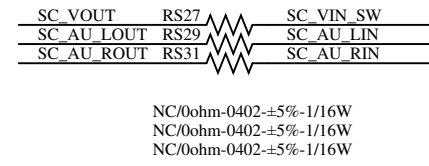
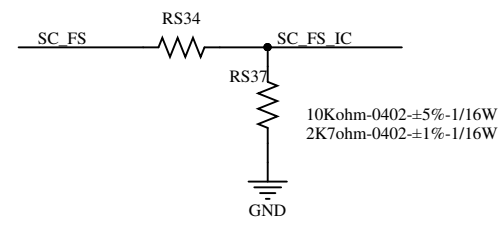
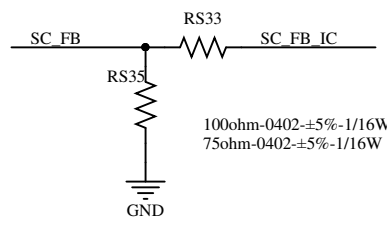
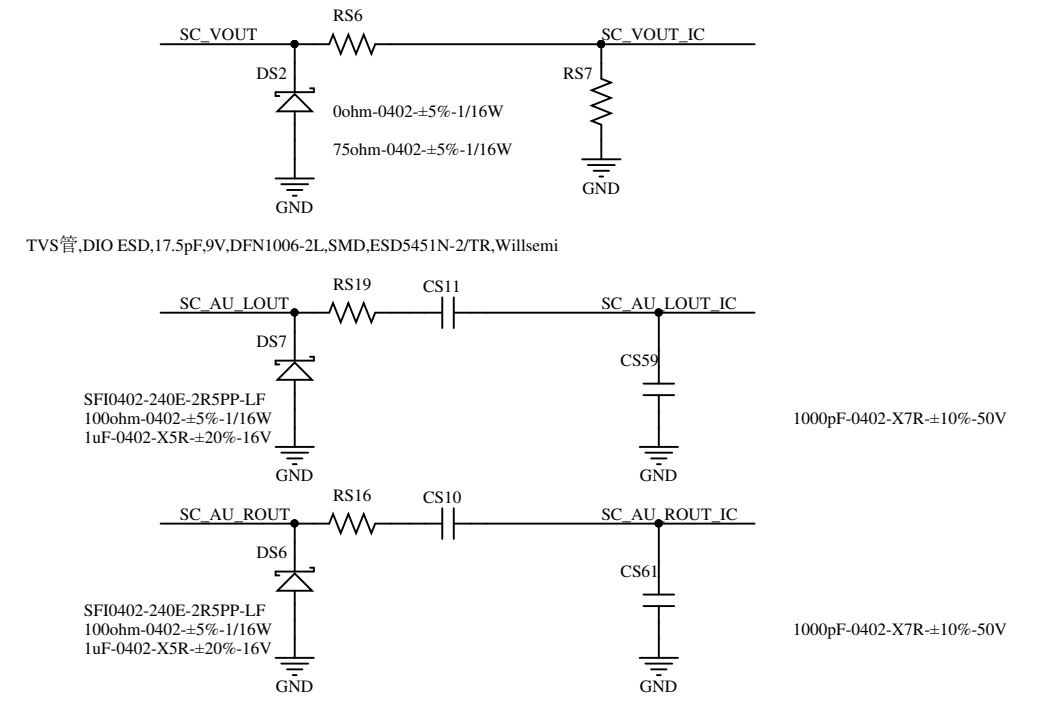
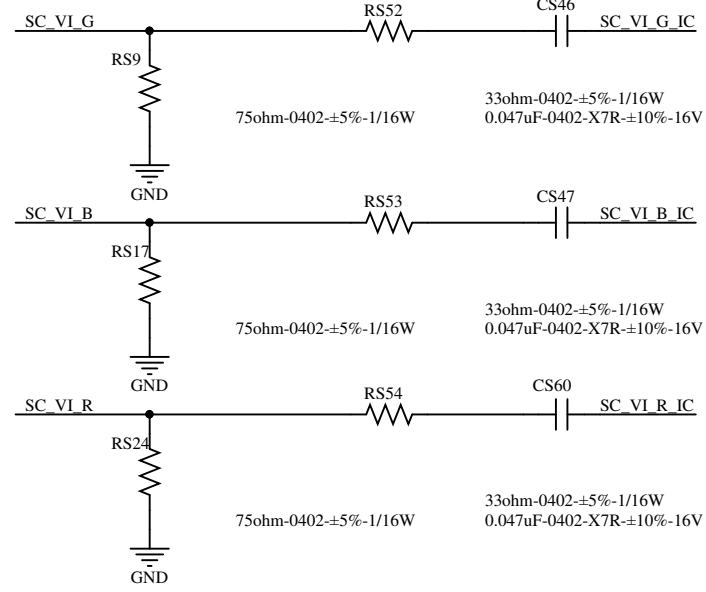
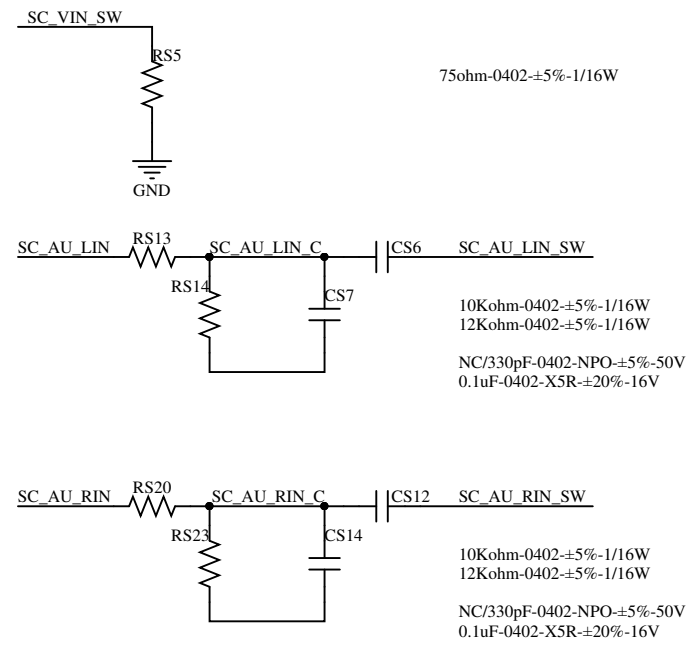
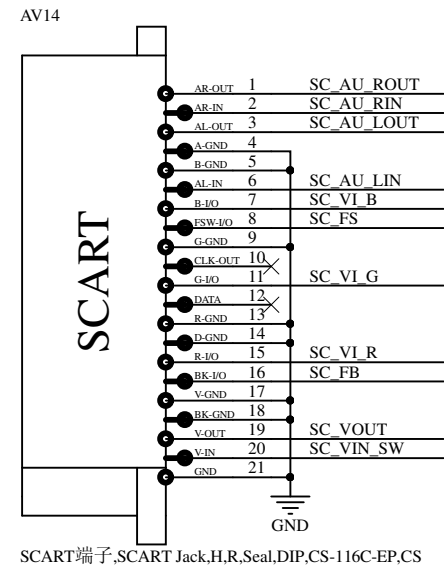
B



C



D



A

A

B

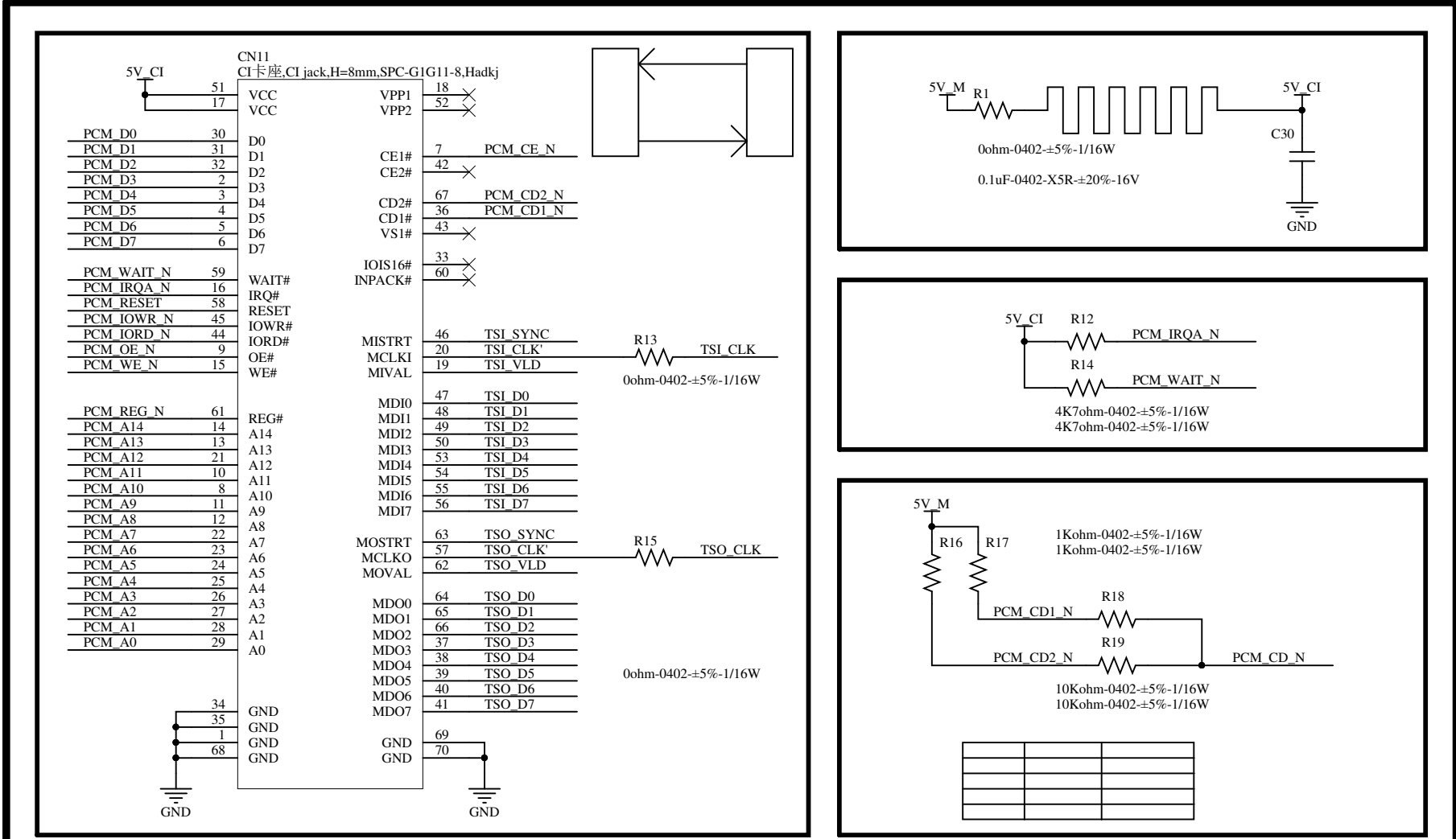
B

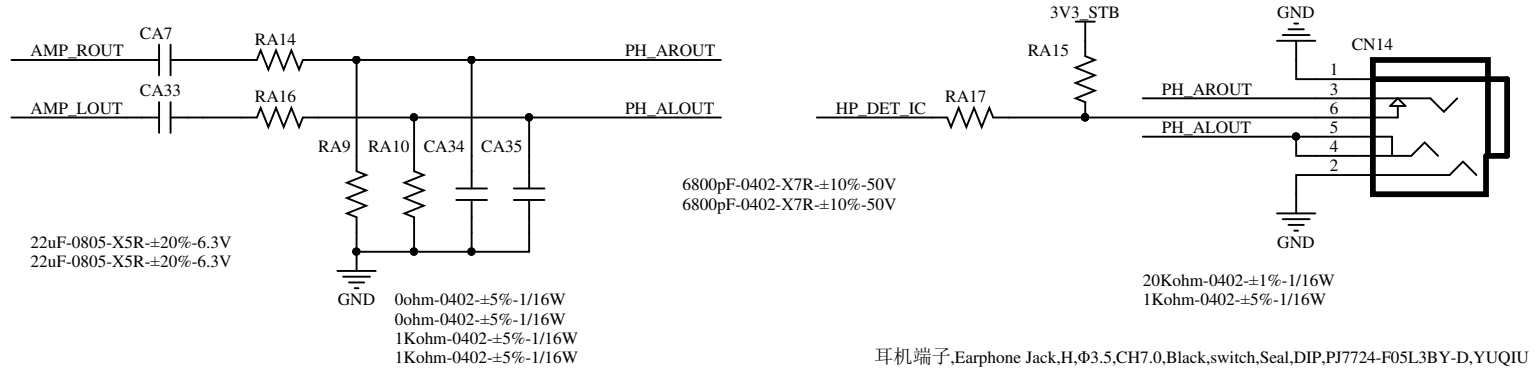
C

C

D

D





耳机端子, Earphone Jack, H, Φ3.5, CH7.0, Black, switch, Seal, DIP, PJ7724-F05L3BY-D, YUQIU

