

HARDWARE SETUP POINT TO POINT LoRa SIMPLE COMMUNICATION

FIG1. Ra-08H module with 3 leds and 3 switch

- Sw1 activate R1'
- Sw2 activate R2'
- Sw3 activate R3'

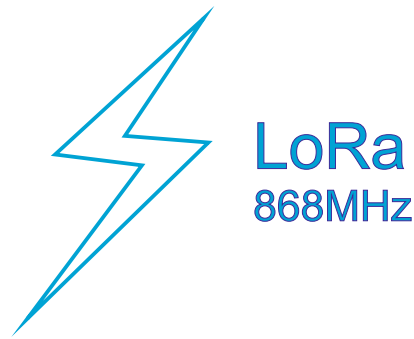
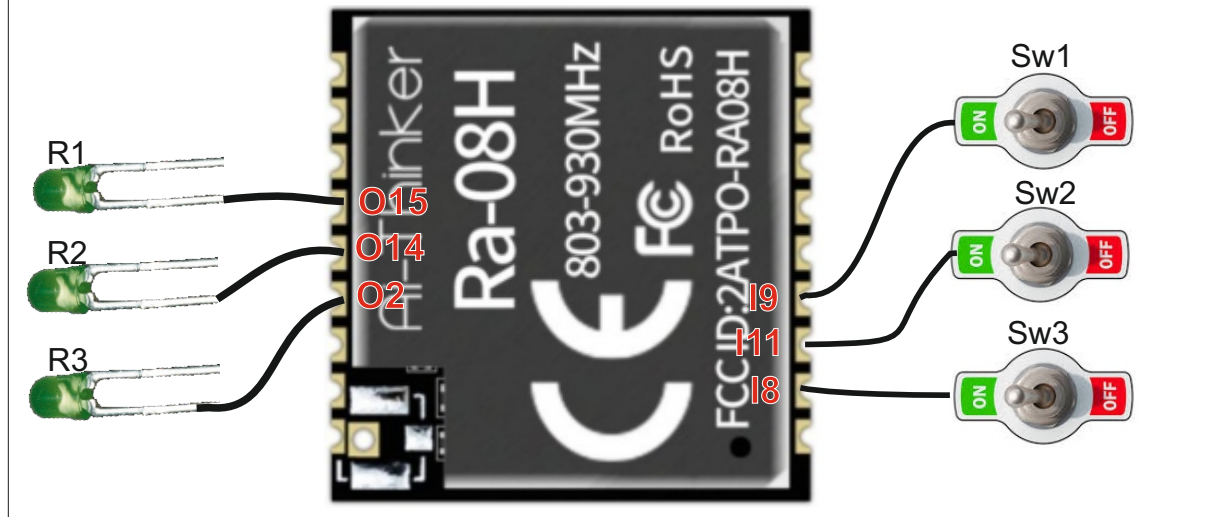
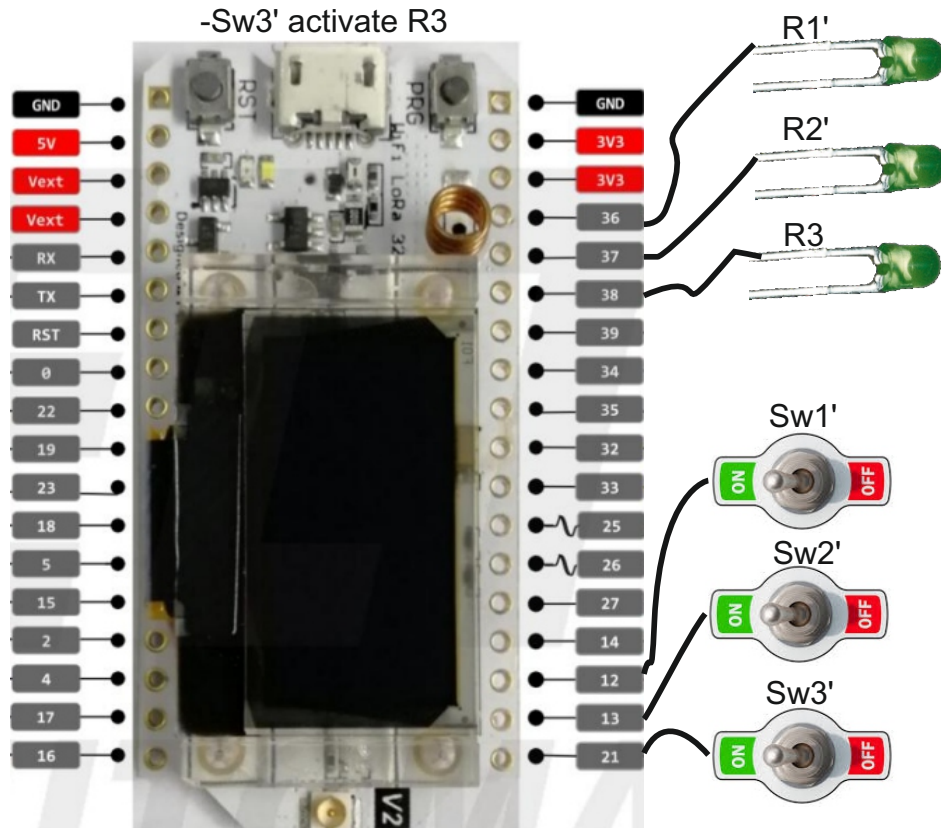


FIG2. Heltec esp32 wifi oled V2 module with 3 leds and 3 switch

- Sw1' activate R1
- Sw2' activate R2
- Sw3' activate R3



CONNECT HELTEC ESP32 WIFI OLED V2 MODULE TO WIFI

FIG2. Heltec esp32 wifi oled V2 module with 3 leds and 3 switch,

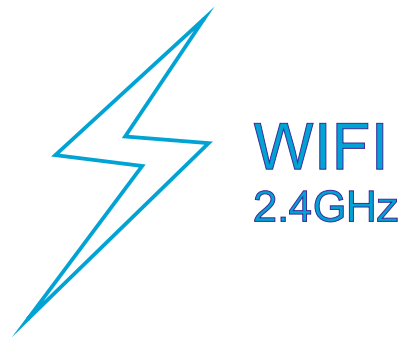
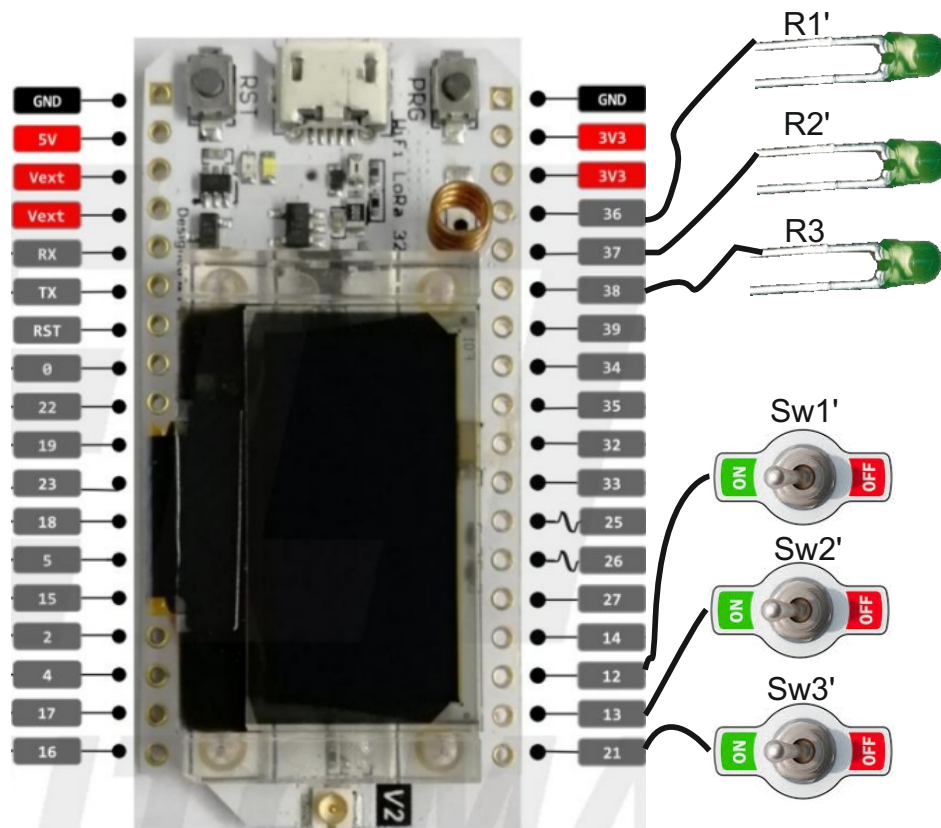
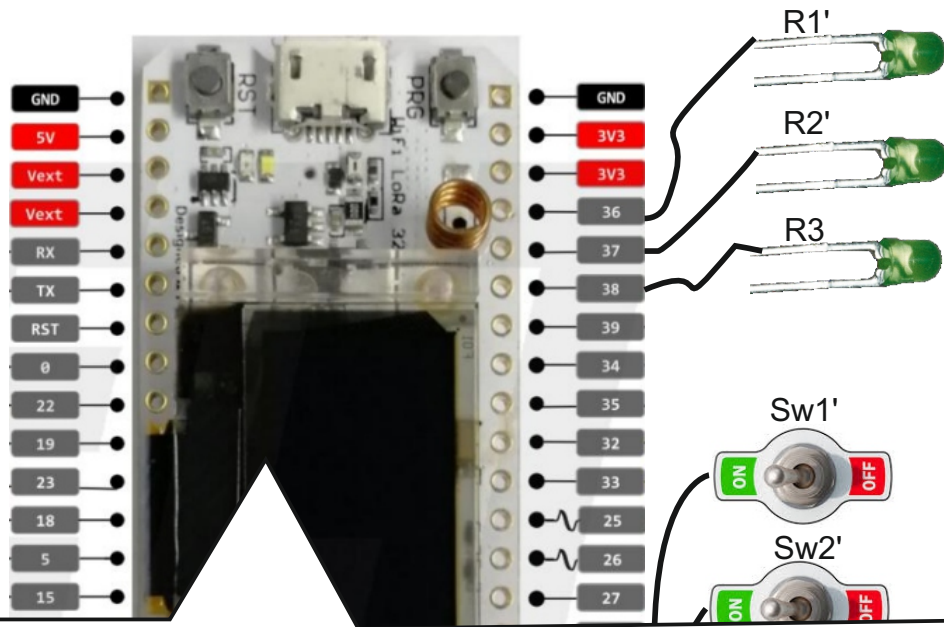


FIG3. Access point WIFI 2.4GHz
SSID: pera
PASS: pera1



BUILD SIMPLE WEB SERVER WITH 3 SWITCH AND 3 LED STATES

FIG2. Heltec esp32 wifi oled V2 module with 3 leds and 3 switch,



WEB SERVER SIMPLE

Web server communicate with master device ESP32. Read status of 3 buttons and control 3 relays (leds on drawings).

