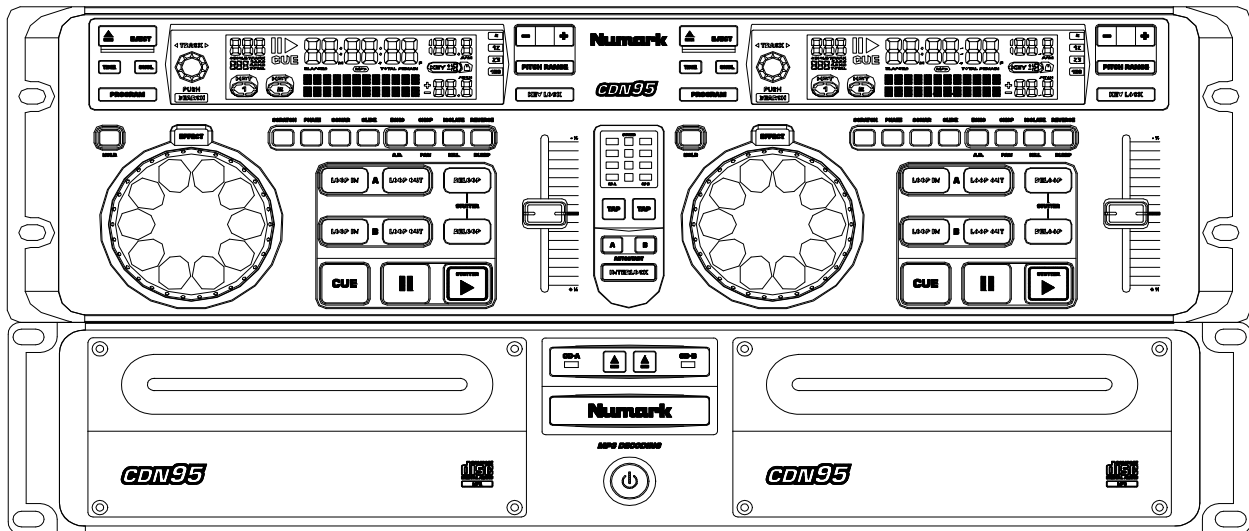


SERVICE MANUAL

MODEL: CDN 95



SPECIFICATION

FUNCTION

- PITCH RANGE.....Activates and Sets pitch Slider range
 PITCH BEND +/-.....Works as pitch bend and Controls Key and pitch function
 KEY LOCK.....Used for various Key Control
 TIME.....Controls display indication of time mode
 SINGLE.....To Set play mode in Single or Continuous Play
 PROGRAM.....Used for setting track order and various special Commands
 CUE.....To move the music to the cue point and preview the Selection
 PAUSE.....To pause the music
 PLAY.....To start the music from the initial cue point
 LOOP IN/OUT/RELOOP.....Used to Set stutter and loop in points / Used to set loop out points and release the loop/ Use for repeated play (stutter) from the loop in point, repeating a previously set, and hot start
 TRACK/ PUSH SEARCH.....Rotation – selects tracks
 Pressing while rotating – selects tracks +10
 Pressing once – puts wheel in search mode
 TAP.....Tracks the beats and measure position of music
 INTERLOCK.....Links both players for beat alignment
 EFFECT.....Used to determine desired effect

STANDARD

- OUTPUT LEVEL.....1.3±0.2 Vms (1KHZ OdB)
 S/N RATIO.....MORE THAN 70dB
 FREQUENCY RESPONSE.....20Hz~20KHz±2 dB
 DYNAMIC RANGE.....MORE THAN 80dB
 CHANNEL SEPARATION.....MORE THAN 70dB
 CHANNEL BALANCE.....±1dB
 HARMONIC DISTORTION.....LESS THAN 0.03%

DISASSEMBLY PROCEDURES

1. REMOVAL OF TOP COVER (Fig1)

- (A) TAKE OUT THE 10 PCS SCREW FROM WHICH THE CABINET FRONT IS MOUNTED IN PLACE.

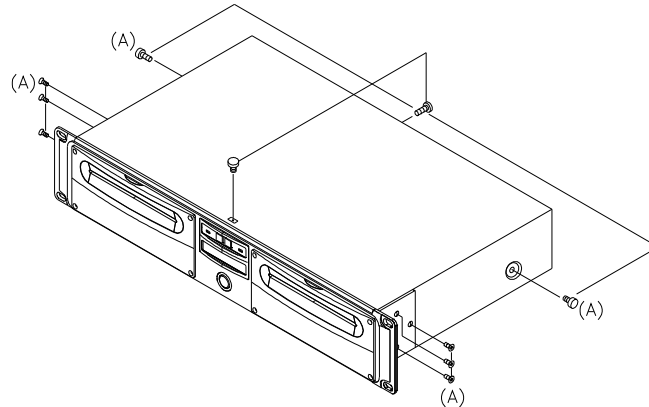


Fig.1

2. REMOVAL OF DOOR PANEL AND PCB (Fig2)

- (A) REMOVAL OF DOOR PANEL TAKE OUT THE 8 PCS SCREW
(B) REMOVAL OF POWER PCB TAKE OUT THE 4 PCS SCREW
(C).REMOVE THE CONNTER ON THE MP3 PCB
(D).REMOVE THE 6 PCS HOLDER ON THE DSP PCB AND MAIN PCB
(E) REMOVE THE 4 PCS HOLDER ON THE SEVIER PCB AND MAIN PCB

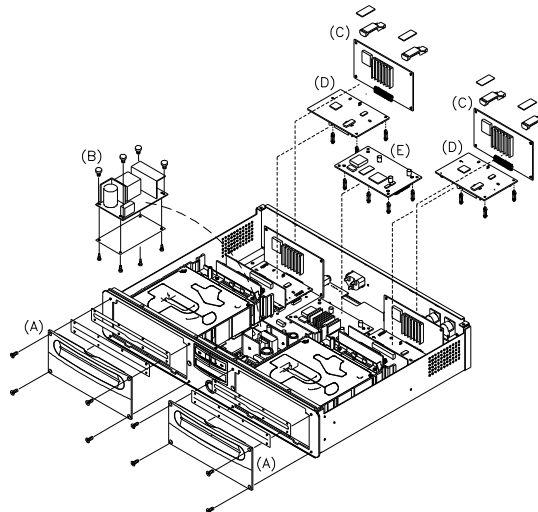


Fig.2

3. REMOVAL OF FRONT PANEL AND REAR PANEL (Fig3)

- (A). REMOVAL OF FRONT PANEL AND FIXED PANEL TAKE OUT THE 9 PCS SCREW
(B). REMOVAL OF MIDI PCB TAKE OUT THE 2 PCS SCREW
(C).REMOVAL OF POWER CONNTER TAKE OUT THE 2 PCS SCREW
(D).REMOVAL THE 22 PCS SCREW ON THE REAR PANEL

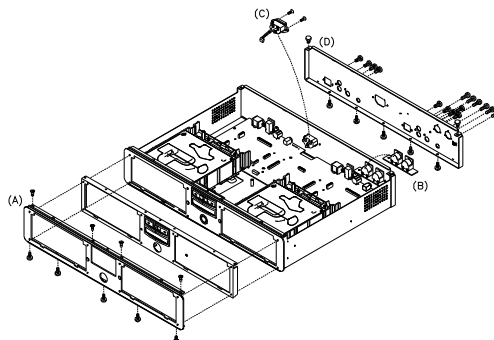


Fig.3

DISASSEMBLY PROCEDURES

4.REMOVAL OF MAIN PCB AND CM-H90 MECHANISM (Fig.4)

- (A.) REMOVAL THE 6 PCS HOLDER ON THE MAIN PCB
- (B.) REMOVAL THE 8PCS CONNECTOR ON THE CM-H90 MECHANISM(CN1,CN2)

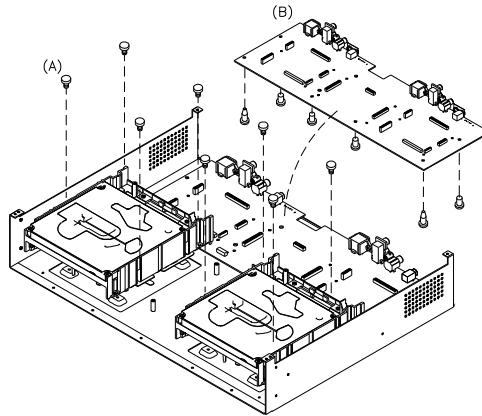


Fig.4

5.REMOVAL OF CONTROL PCB (Fig.5)

- (A.)REMOVAL THE 16PCS SCREW ON THE REAR COVER AND FIXED HOLDER
- (B.)DEPART 2PCS VR KNOB ON THE FRONT PANEL
- (C.)REMOVAL 27PCS SCREW ON THE LCD PCB AND CONTROL PCB

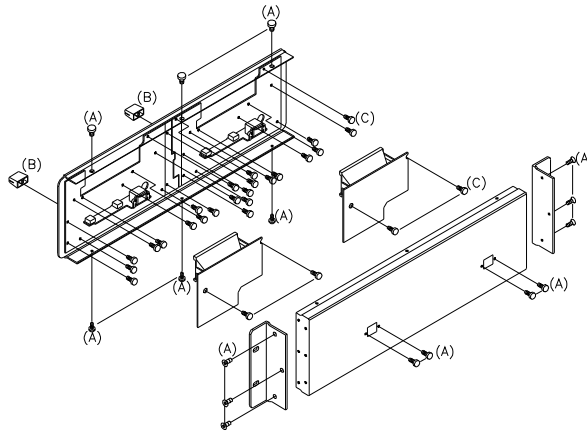
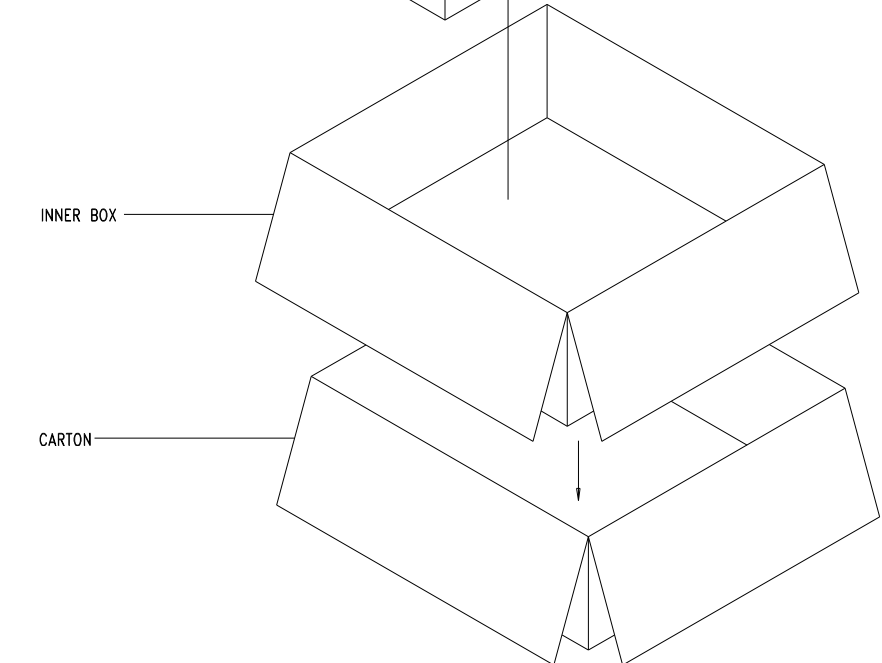
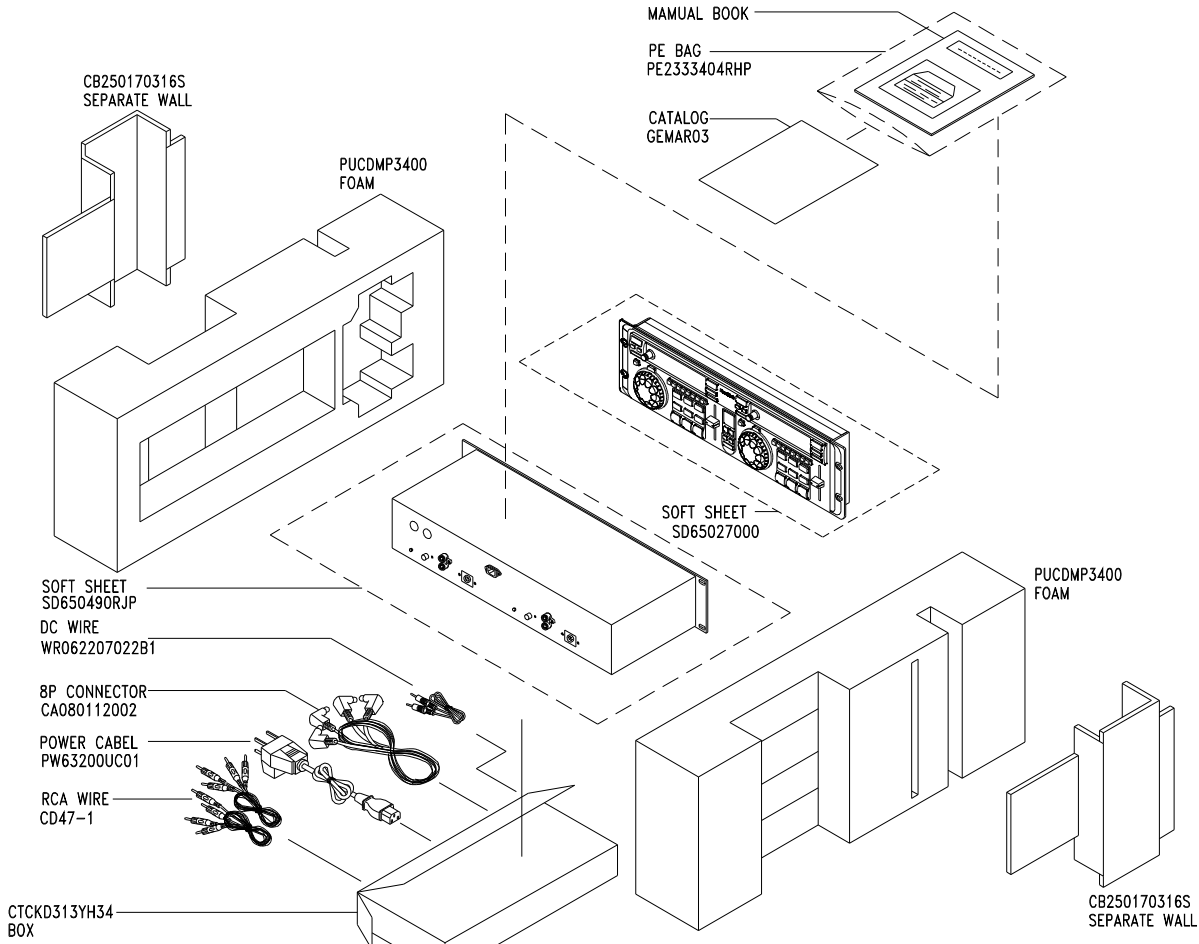


Fig.6

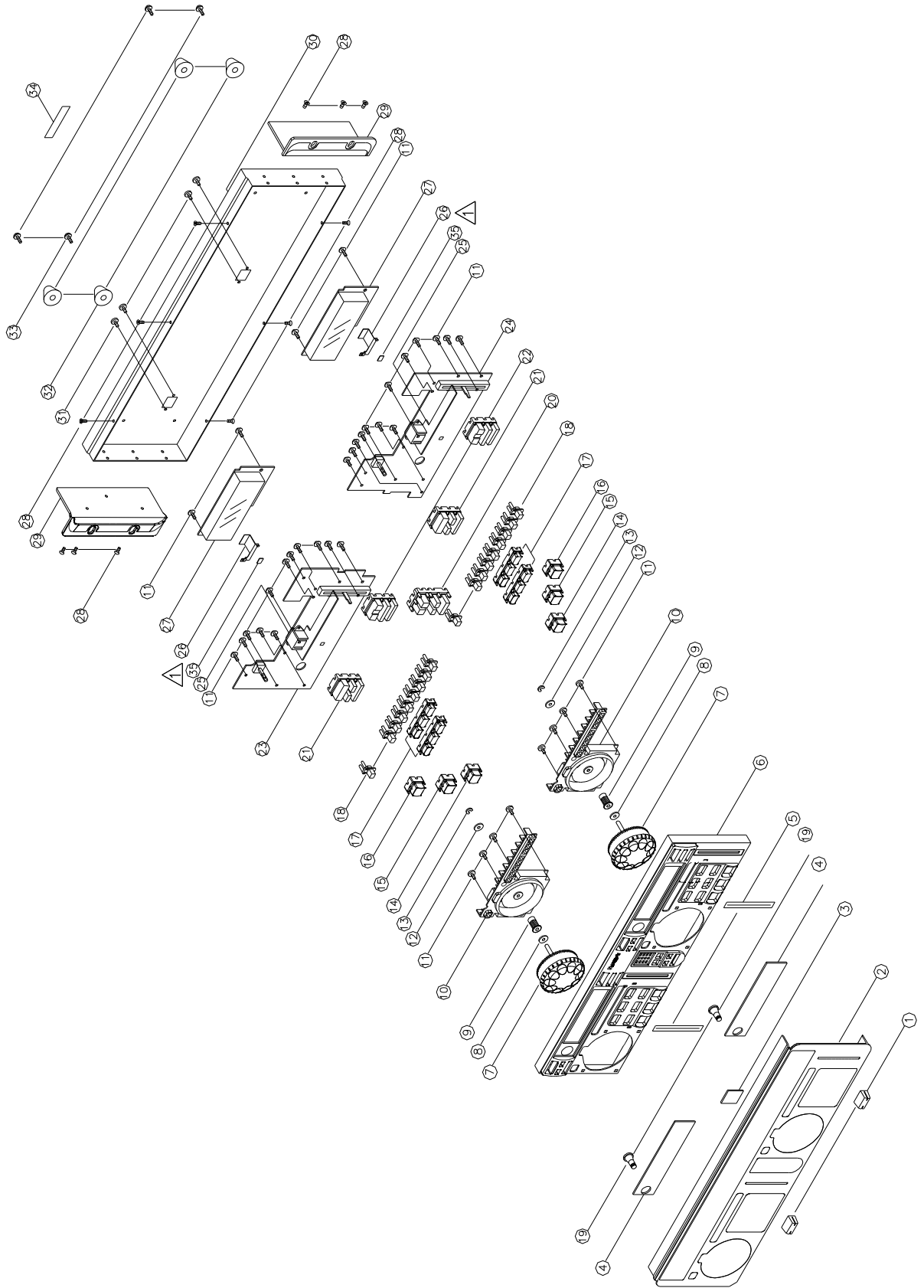
PACKING DIAGRAM



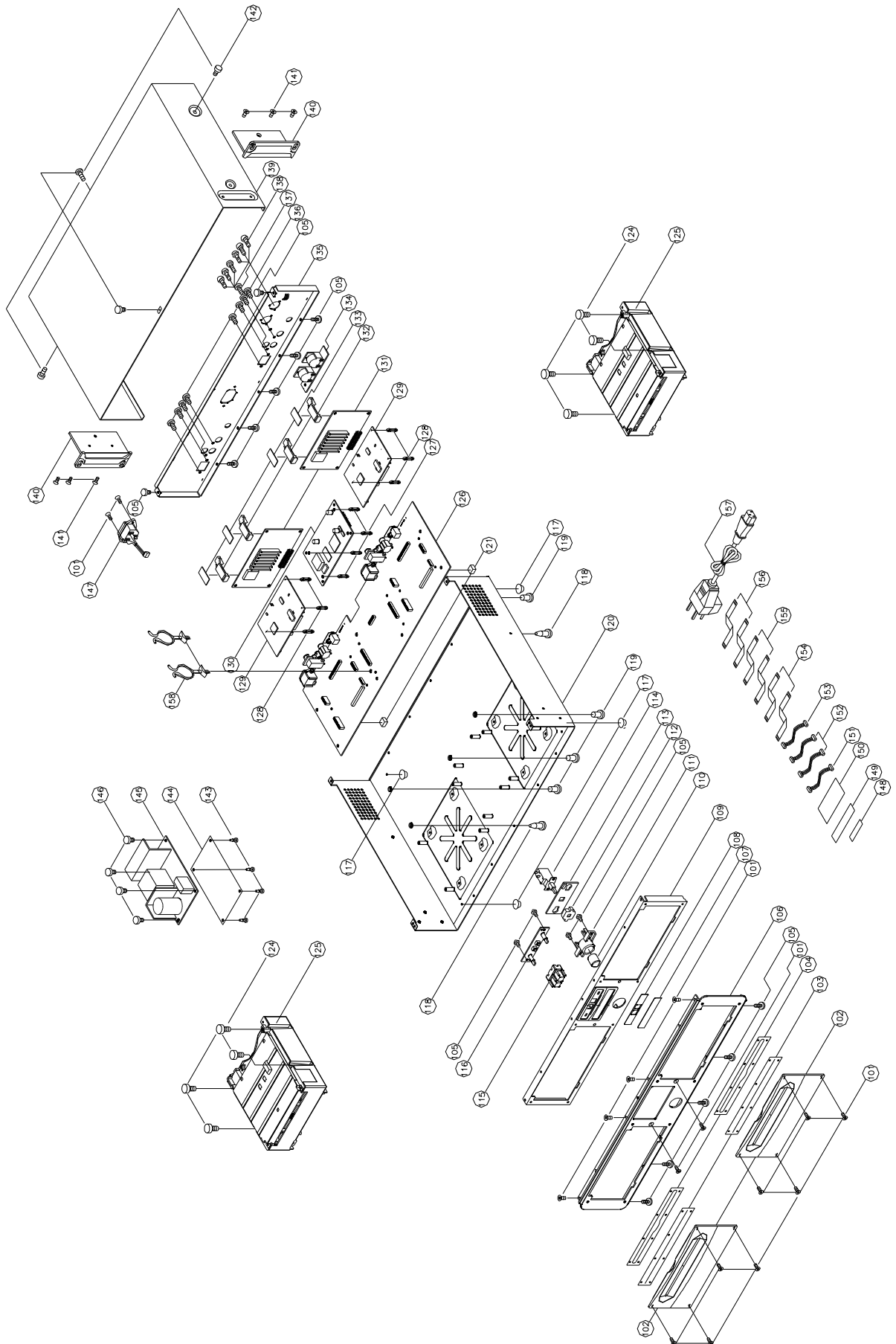
PRODUCTION NO.	POWER CABLE NO.
MAR01	PW63200UC01
MAR02	UP301-104
MAR03	PW53200UK03
MAR04	PW43200SAA01
MAR05	PW43200AR01
MAR06	PW33200KS01
MAR07	PW22200JIS02



EXPLODED VIEW (CONTROL UNIT)



EXPLODED VIEW (MAIN UNIT)



CDN95MAR BOM

LEVEL	P/N	DESCRIPTION	QTY	REF	
				CONTROL UNIT	MAIN UNIT
1	BAAR-055	PAD	4		117
1	BACA-04T	CABLE CLIP	2		158
1	BAPBS-15	PCB HOLDER	6		128
1	BAPBS-8	PCB HOLDER	4		127
1	BAPR-36A	PCB HOLDER	4		143
1	CA080112002	CONNECTOR	2		
1	CD47-1	PHONO CORD	2		
1	CL13001	WIRE TIE	1		
1	CN0520001702	5P CONNECTOR	1		151
1	CN0620001901	CONNECTOR(6P WIRE)	2		
1	CN0825000701	5P CONNECTOR	1		153
1	CSM800YAH01	MECHANISM	2		125
1	ERE73	3MM E RING	2	13	
1	EVA0604401	EVA	4		133
1	FFC1410000701	FFC	2		134
1	FFC1610003001	CONNECTOR	2		
1	FW104210IZ	WASHER	2	8	
1	JK7SC92	AC SOCKET	1		
1	K46-1	CABLE TIE	11		
1	LA45YH208	LABEL	2		
1	LA62GMN37	DATE LABEL	1		148
1	LAC22MAR112	BAR CODE LABEL	1	34	149
1	LAC47YH211	INSTRUCTION LABEL	1		150
1	LAC62MAR113	BAR CORD LABLE	2		
1	LCM-WNB004	LCM	2	27	
1	MT0604435	FIXED HOLDER	2	29	
1	MT0604436	FIXED HOLDER	2		140
1	MT0605502	BRASS	2	9	
1	MT062043002	REAR PANEL	1	30	
1	MT062044701	REAR COVER	1		135
1	MT0630040101	FRONT PANEL	1	2	
1	MT063005401	FRONT PANEL PRINTING	1		106
1	MT0630103	DUST COVER	1		139
1	MT0630355	CHASSIS	1		120
1	NM0604401	VELVET CARPET	2		103
1	NM0606113	FELT MAT	2	5	
1	NP206MAR07	NAME PLATE	2	4	
1	NP206MAR11	NAME PLATE LED	1	3	
1	NP206MAR12	NAME PLATE	1		107
1	NP206MAR13	NAME PLATE	1		108
1	NP206YAH33	NAME PLATE	2		104
1	OTYNA03026	SWITCH POWER	1		145
1	PT0103208	P.C. BOARD HOLDER	2		118
1	PT060291302	TRAY PANEL	2		102
1	PT0604423	PROTECT FRAME	1		111
1	PT060443702	FIXED HOLDER	2	10	
1	PT060444701	FIXED HOLDER	1		109
1	PT060445001	FIXED HOLDER	1	6	
1	PT0604455	FIXED HOLDER	4		132
1	PT0604707	PROTRCTOR	1		144
1	PT0610607	KNOB	2	19	
1	PT0610610	KNOB	18	18	
1	PT061072001	ROTATE KNOB	2	7	
1	PT061072101	KNOB POWER	1		110
1	PT0703202	P.C. BOARD HOLDER	4		119
1	PT1110616	VR KNOB	2	1	
1	PW63200UC01	POWER SUPPLY CORD	1		157
1	RU0130603	PU STAND	4	32	
1	RU0604405	RUBBER	2		121
1	RU0610636	RUBBER KNOB	1		112
1	RU061066801	RUBBER KNOB	4	17	
1	RU061066905	RUBBER KNOB	2	15	
1	RU061066906	RUBBER KNOB	2	16	
1	RU061066907	RUBBER KNOB	2	14	

1	RU061067001	RUBBER KNOB	2	22	
1	RU061067101	RUBBER KNOB	2	21	
1	RU061067202	RUBBER KNOB	1	20	
1	RU061067901	RUBBER KNOB	1		115
1	SC0208RABI	SCREW	6		138
1	SC0306PBB1	SCREW	8	31	142
1	SC0306RBZ1	SCREW	55	11	105
1	SC0306RIC1	SCREW	1		137
1	SC0308FBB1	SCREW	28	28	101
1	SC0308RBZ1	SCREW	8		136
1	SC0308RIZ1	SCREW	4		146
1	SC0310BIB1	SCREW	8		
1	SC0310WBZ1	SCREW	4	33	
1	SC0314FBB1	SCREW	6		141
1	TSCDM01	CD	1		
1	TWCD6019	ASSY,POWER PCB	1		114
1	TWJK7SC9205	AC BASE ASS'Y	1		147
1	TWPC01C01307	SERVER PCB ASS'Y	2		
1	TWPC03C01103	MP3 DECODE ASS'Y	2		131
1	TWPC03C07001	P.C.BOARD ASS'Y	1		
1	TWPC03C07002	P.C.BOARD ASS'Y	1		
1	TWPC03C08901	DSP PCB ASS'Y	1		130
1	TWPC03C09001	P.C.BOARD ASS'Y	1		126
1	TWPC03C09701	MECHA PCB ASS'Y	1		
1	UHBFH285X75X15	LOOP CORE	2		
1	WR062207022B1	DC WIRE	2		
1	WS113004503P	WASHER	2	12	
1	TWPC01C01307	SERVO PCB ASS'Y	1		
2	CN0100001201	1P CONNECTOR (120mm)	1	(C901)	
2	CN0220001001	2P CONNECTOR (100mm)	1	(T1)	
2	CS102K5005X7R	CERAMIC 1000P (SMD)	1	C21	
2	CS103K5005X7R	CERAMIC 0.01UF (SMD)	2	C23,40	
2	CS103Z5005Y5V	CERAMIC 0.01UF (SMD)	1	C1	
2	CS104K2505X7R	CERAMIC 0.1UF (SMD)	2	C5,25	
2	CS104Z2505Y5V	CERAMIC 0.1UF (SMD)	15	C4,6,8,9,11,12,16,27,29,30,32,37,39,43,901	
2	CS152K5005X7R	CERAMIC 1500P (SMD)	1	C20	
2	CS153K5005X7R	CERAMIC 0.015UF (SMD)	1	C201	
2	CS221J5005COG	CERAMIC 220P (SMD)	1	C18	
2	CS300J5005COG	CERAMIC 30P (SMD)	2	C13,14	
2	CS333K5005X7R	CERAMIC 0.033UF (SMD)	2	C41,42	
2	CS471J5005COG	CERAMIC 470P (SMD)	2	C24,26	
2	CS473K5005X7R	CERAMIC 0.047UF (SMD)	1	C19	
2	CS681J5005COG	CERAMIC 680P (SMD)	4	C33~36	
2	DIENLL4148SM	DIODE ENLL4148SM (SMD)	2	D1,2	
2	EC10716TS	ELECT 100UF/16V (S)	8	C2,3,7,10,15,28,31,38	
2	EC47550TS	ELECT 4.7UF/50V (S)	1	C22	
2	FCN1R1001601	16P FFC CONNECTOR	1	(CN1)	
2	ICBA5970FP	IC BA5970FP	1	IC3	
2	ICXA2581N	IC CXA2581N	1	IC1	
2	ICXD3068Q	IC CXD3068Q	1	IC2	
2	JW5206T	JUMP WIRE	37	J1~37	
2	MC47463T	MALYER 0.47UF/63V	1	C17	
2	MT0604434	FIXED PLATE	1	-	
2	PC01C013	SERVO PCB	1	-	
2	RS00018J05	RESISTOR 0Ω (SMD)	8	R23,46~49,JS1~3	
2	RS10018J05	RESISTOR 10Ω (SMD)	1	R1	
2	RS10118J05	RESISTOR 100Ω (SMD)	6	R13~15,17,50,JS4	
2	RS10318J05	RESISTOR 10K (SMD)	8	R2,3,22,24,30,43,44,201	
2	RS10418J05	RESISTOR 100K (SMD)	2	R25,39	
2	RS10518J05	RESISTOR 1M (SMD)	3	R12,18,19	
2	RS12418J05	RESISTOR 120K (SMD)	1	R7	
2	RS15218J05	RESISTOR 1K5 (SMD)	1	R54	
2	RS15318J05	RWSISTOR 15K (SMD)	5	R27,29,33,34,60	
2	RS15418J05	RESISTOR 150K (SMD)	3	R6,28,63	
2	RS22418J05	RESISTOR 220K (SMD)	1	R16	
2	RS30218J05	RESISTOR 3K (SMD)	1	R52	
2	RS30318J05	RESISTOR 30K (SMD)	4	R35~38	
2	RS33218J05	RESISTOR 3K3 (SMD)	2	R20,21	

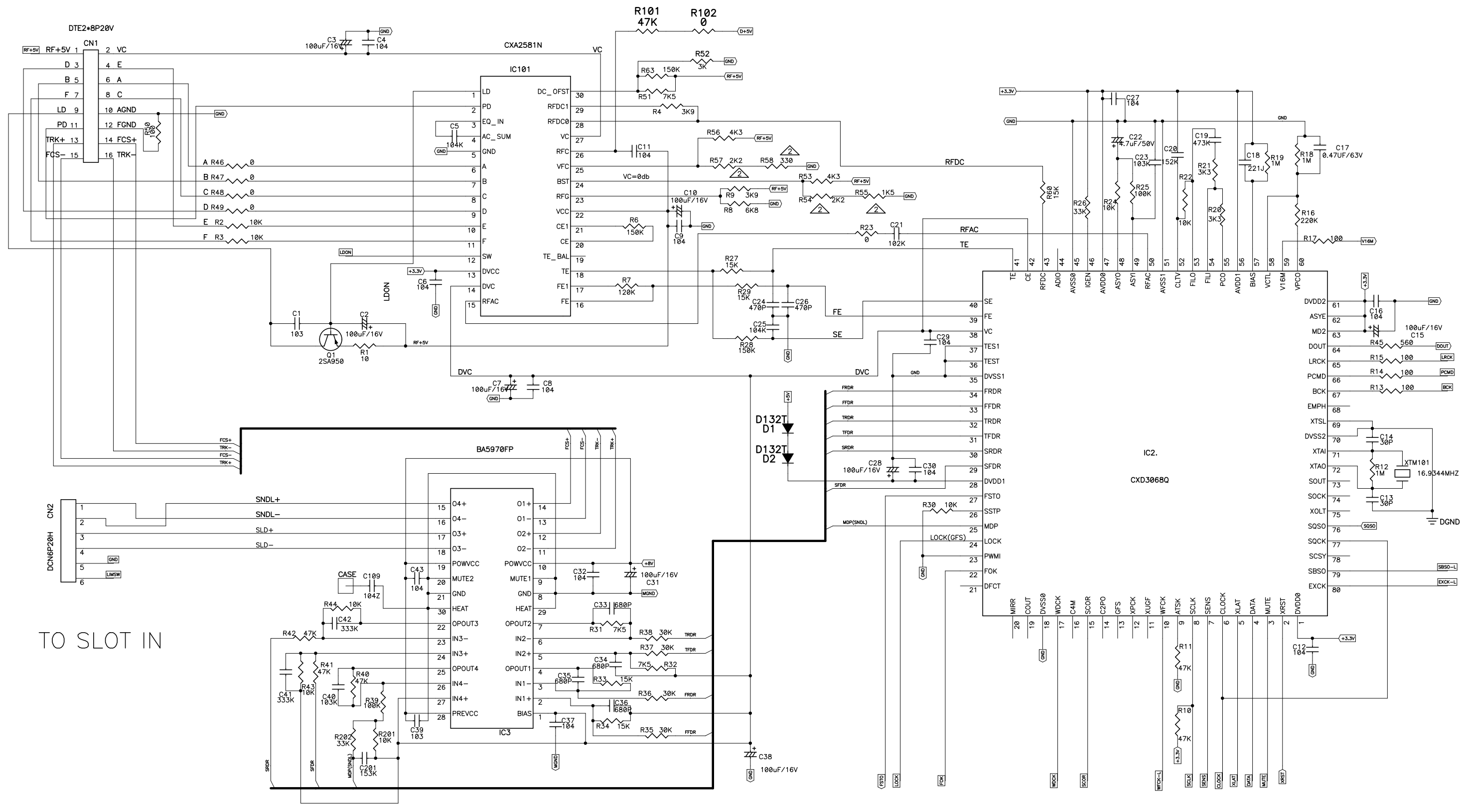
2	RS33318J05	RESISTOR 33K (SMD)	2	R26,202
2	RS39218J05	RESISTOR 3K9 (SMD)	2	R4,9
2	RS43218J05	RESISTOR 4K3 (SMD)	2	R53,56
2	RS43318J05	RESISTOR 43K (SMD)	1	R101
2	RS47318J05	RESISTOR 47K (SMD)	5	R10,11,40~42
2	RS56118J05	RESISTOR 560Ω (SMD)	1	R45
2	RS56218J05	RESISTOR 5K6 (SMD)	1	R57
2	RS68118J05	RESISTOR 680Ω (SMD)	1	R58
2	RS68218J05	RESISTOR 6K8 (SMD)	1	R55
2	RS68318J05	RESISTOR 68K (SMD)	1	R102
2	RS75218J05	RESISTOR 75K (SMD)	4	R8,31,32,51
2	TE10200602	6P CONNECTOR	1	(CN2)
2	TE562001402	14P CONNECTOR	1	(CN3)
2	TE562002202	22P CONNECTOR	1	(CN4)
2	TR2SB1198KSM	TRANSISTOR 2SB1198KSM (950)	1	Q1
2	TRDTA144EKM	TRANSISTOR DTA144EKM	1	Q101
2	XTM16934	CRYSTAL 16.934MHz	1	XTM1
1	TWPC03C01103	MP3 DEC CPB ASS'Y	1	131
2	CS101J5005COG	CERAMIC 100P (SMD)	1	C1
2	CS104Z2505Y5V	CERAMIC 0.1UF (SMD)	28	C2~19,27~30,36~40,99
2	CS105K1605X7R	CERAMIC 1UF (SMD)	1	C22
2	EC10550TS	ELECT 1UF/50V (S)	1	C35
2	EC10616TS	ELECT 10UF/16V (S)	10	C20,21,41~48
2	EC10716TS	ELECT 100UF/16V (S)	3	C32~34
2	IC74AHCT1G125	IC 74AHCT1G125	1	C31A
2	IC74HC164D	IC 74HC164D	2	U4,5
2	IC74HC574D	IC 74HC574D	2	U6,7
2	IC74HCT157D	IC 74HCT157D	1	U99
2	IC74HCU04AFN	IC 74HCU04AFN	1	U3
2	ICIS61LV12816	IC IS61LV12816	2	U9,10
2	ICMIC5207-2.5	IC MIC5207-2.5	1	R19
2	ICMIC809	IC MIC809	1	U12
2	ICML1201E	IC ML1201E	1	U1
2	ICYHFRC19	IC YHFRC19	1	U11
2	ICSST39VF040	IC SST39VF040	1	-
2	JK9PLCC32J01	IC CONNECTOR	1	(U11)
2	MT0703223	FIXED PLATE	1	(U11)
2	NM0703201	HEAT SINK TAPE	1	(U11)
2	PC03C011	MP3 PCB	1	-
2	RS00018J05	RESISTOR 0Ω (SMD)	6	R9,22,28~30,37
2	RS10318F05	RESISTOR 10K (SMD)	2	R11,12
2	RS10418F05	RESISTOR 100K (SMD)	14	R1~5,23,24,26,27,31~35
2	RS10518F05	RESISTOR 1M (SMD)	6	R6~8,10,25,36
2	RS15218F05	RESISTOR 1K5 (SMD)	2	R15,16
2	RS18018F05	RESISTOR 18Ω (SMD)	2	R13,14
2	RS20418F05	RESISTOR 200K (SMD)	1	R17
2	RS30418F05	RESISTOR 300K (SMD)	1	R18
2	TE552003601	36P CONNECTOR	1	(J8)
2	UHWBRH35X9X08	LOOP CORE	2	L3,4
1	TWPC03C07001	FUNCTION PCB ASS'Y	1	
2	TWPC03C070A01	FUNCTION PCB ASS'Y	1	23
3	BALE48201-5A	LED HOLDER	18	(LED101~106,109,110,113~120,137,138)
3	BALE48206-5A	LED HOLDER	4	(LED131~134)
3	CS104Z2505Y5V	CERAMIC 0.1UF (SMD)	9	C1,2,7,9,11,13,19,24,114
3	CS300J5005COG	CERAMIC 30P (SMD)	2	C3,4
3	DIENLL4148SM	DIODE ENLL4148SM (SMD)	31	D101~125,127~132
3	DIRPI-352	SENSOR	2	SEN1,2
3	EC10716TS	ELECT 100UF/16V (S)	4	C8,10,14,23
3	EC33716	ELECT 330UF/16V	1	C25
3	EC47550TS	ELECT 4.7UF/50V (S)	1	C12
3	IC74HC4538D	IC 74HC4538D	1	IC2
3	ICBA05FP	IC BA05FP	2	IC3,4
3	ICYHFRC26	IC YHFRC26	1	IC1
3	IC89C52A-40PL	IC 89C52A-40PL	1	
3	JKPLCC44J01	IC CONNECTOR	1	(IC1)
3	JW5206T	JUMP WIRE	11	J15~25
3	LD-005HLV	RED LED	27	LED101~110,113~118,123~130,136~138

3	LD-2404K3WS	BLUE LED	4	LED141~144
3	LD-240E4HTS	RED LED	5	LED131~134,145
3	LD5UB1C5	BLUE LED	5	LED112,119,120,135,140
3	MLC103J50VX7R	CERAMIC 103J	2	C5,6
3	MT0603210	HEAT SINK	1	(IC4)
3	NP206MAR10	NAME PLATE	1	(IC1)
3	PT01104803	LED FIXED BASE 4.8X3MM	12	(LED107,108,123~130,136,145)
3	PT01104807	LED FIXED BASE 4.8X7MM	7	(LED112,135,140~144)
3	RS00018J05	RESISTOR 0Ω (SMD)	4	JS1,2,4,8
3	RS01018J05	RESISTOR 1Ω (SMD)	1	R33
3	RS10018J05	RESISTOR 10Ω (SMD)	21	R1~10,15~18,21~25,27,28
3	RS10118J05	RESISTOR 100Ω (SMD)	3	R119,121,122
3	RS10218J05	RESISTOR 1K (SMD)	2	R120,151
3	RS10318F05	RESISTOR 10K (SMD)	2	R139,142
3	RS10318J05	RESISTOR 10K (SMD)	13	R106,115~118,126,131~133,140,141,144,148
3	RS10518J05	RESISTOR 1M (SMD)	1	R127
3	RS22318J05	RESISTOR 22K (SMD)	2	R146,150
3	RS33118J05	RESISTOR 330Ω (SMD)	6	R128~130,135,145,149
3	RS47018J05	RESISTOR 47Ω (SMD)	4	R11~14
3	RS47218J05	RESISTOR 4K7 (SMD)	2	R136,137
3	RS56118J05	RESISTOR 560Ω (SMD)	2	R143,147
3	RS68018J05	RESISTOR 68Ω (SMD)	9	R26,107~114
3	RU0604401	RUBBER	18	(LED101~106,109,110,113~120,137,138)
3	RU1104402	RUBBER	1	(IC4)
3	SC0306RICI	SCREW	1	-
3	SWDC11G	SWITCH	1	SW25
3	SWSKHVBE3520	TACT SWITCH	28	SW1~24,27~30
3	TR2SA1036KRM	TRANSISTOR 2SA1036KRM (608)	21	Q2~22
3	TR2SC2412KSM	TRANSISTOR 2SC2412ESM (536)	2	Q23,24
3	TRDTA124ESM	TRANSISTOR DTA124ESM	1	Q1
3	VRS10306004	VR	1	VR1
3	XTM20000X2	CRYSTAL 20MHz	1	X1
2	TWPC03C070B01	I/O PCB ASS'Y	1	25
3	CN0100001101	1P CONNECTOR (110mm)	1	CN1
3	CS102K5005X7R	CERAMIC 1000P (SMD)	2	C28,29
3	CS104Z2505Y5V	CERAMIC 0.1UF (SMD)	4	C16,20,21,27
3	CS221J5005COG	CERAMIC 220P (SMD)	1	C26
3	DIZDMTZJ68CT	ZENER DIODE 6.8CT	1	ZD1
3	EC10716TS	ELECT 100UF/16V (S)	2	C15,22
3	FCN1S1001401	14P FFC CONNECTOR	1	(TE5)
3	M0104420	FRAME	1	-
3	MT0101803	EARTHED METAL PLATE	1	(DIN501)
3	PT0104415	HOLDER	1	(DIN501)
3	R22118	RESISTOR 220Ω 1/8W	1	R36
3	RS00012J06	RESISTOR 0Ω (SMD)	1	D135
3	RS00018J05	RESISTOR 0Ω (SMD)	5	R34,35,37~39
3	SC0306RICI	SCREW	1	-
3	TE422000801	8P DIN CONNECTOR	1	DIN501
3	TE522500801	8P TERMINAL	1	(TE4)
3	TE522500901	9P TERMINAL	1	(TE3)
1	TWPC03C07002	FUNCTION CPB ASS'Y	1	
2	TWPC03C070A02	FUNCTION CPB ASS'Y	1	24
3	BALE48201-5A	LED HOLDER	20	(LED101~106,109,110,113~122,137,138)
3	BALE48206-5A	LED HOLDER	4	(LED131~134)
3	CS104Z2505Y5V	CERAMIC 0.1UF (SMD)	9	C1,2,7,9,11,13,19,24,114
3	CS300J5005COG	CERAMIC 30P (SMD)	2	C3,4
3	DIENLL4148SM	DIODE ENLL4148SM (SMD)	32	D101~106,108~114,116~134
3	DIRPI-352	SENSOR	2	SEN1,2
3	EC10716TS	ELECT 100UF/16V (S)	4	C8,10,14,23
3	EC33716	ELECT 330UF/16V	1	C25
3	EC47550TS	ELECT 4.7UF/50V (S)	1	C12
3	IC74HC4538D	IC 74HC4538D	1	IC2
3	ICBA05FP	IC BA05FP	2	IC3,4
3	ICYHFRC26	IC YHFRC26	1	IC1
3	IC89C52A-40PL	IC 89C52A-40PL	1	-
3	JKPLCC44J01	IC CONNECTOR	1	(IC1)
3	JW5206T	JUMP WIRE	14	J1~14

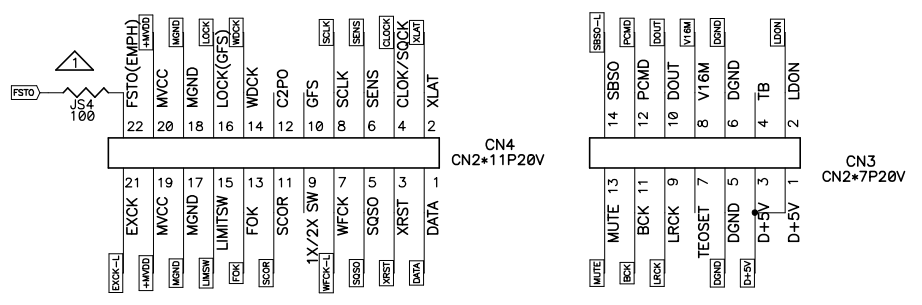
3	LD-005HLV	RED LED	29	LED101~110,113~118,121~130,136~138
3	LD-2404K3WS	BLUE LED	4	LED141~144
3	LD-240E4HTS	RED LED	5	LED145~149
3	LD5UB1C5	BLUE LED	5	LED111,119,120,135,139
3	MLC103J50VX7R	CERAMIC 103J	2	C5,6
3	MT0603210	HEAT SINK	1	(IC4)
3	NP206MAR10	NAME PLATE	1	(IC1)
3	PT01104803	LED FIXED BASE 4.8X3MM	12	(LED107,108,123~130,136,145)
3	PT01104807	LED FIXED BASE 4.8X7MM	7	(LED112,135,140~144)
3	RS00018J05	RESISTOR 0Ω (SMD)	4	JS1,2,4,8
3	RS01018J05	RESISTOR 1Ω (SMD)	1	R33
3	RS10018J05	RESISTOR 10Ω (SMD)	23	R1~10,15~20,25,27~32
3	RS10118J05	RESISTOR 100Ω (SMD)	3	R119,121,122
3	RS10218J05	RESISTOR 1K (SMD)	2	R120,151
3	RS10318F05	RESISTOR 10K (SMD0	2	R139,142
3	RS10318J05	RESISTOR 10K (SMD)	13	R106,115~118,126,131~133,140,141,144,148
3	RS10518J05	RESISTOR 1M (SMD)	1	R127
3	RS22318J05	RESISTOR 22K (SMD)	2	R146,150
3	RS33118J05	RESISTOR 330Ω (SMD)	6	R128~130,135,145,149
3	RS47018J05	RESISTOR 47Ω (SMD)	4	R11~14
3	RS47218J05	RESISTOR 4K7 (SMD)	2	R136,137
3	RS56118J05	RESISTOR 560Ω (SMD)	2	R143,147
3	RS68018J05	RESISTOR 680Ω (SMD)	9	R26,107~114
3	RU0604401	RUBBER	18	(LED101~106,109,110,113~120,137,138)
3	RU1104402	RUBBER	1	(IC4)
3	SC0306RICI	SCREW	1	-
3	SWDC11G	SWITCH	1	SW25
3	SWSKHVBE3520	TACT SWITCH	29	SW1~6,8~14,16~24,26~32
3	TR2SA1036KRM	TRANSISTOR 2SA1036KRM (608)	21	Q2~15,20~22,25~28
3	TR2SC2412KSM	TRANSISTOR 2SC2412KSM (536)	2	Q23,24
3	TRDTA124ESM	TRANSISTOR DTA124ESM	1	Q1
3	VRS10306004	VR	1	VR1
3	XTM20000X2	CRYSTAL 20MHz	1	X1
2	TWPC03C070B01	I/O PCB ASS'Y	1	25
3	CN0100001101	1P CONNECTOR (110mm)	1	CN1
3	CS102K5005X7R	CERAMIC 1000P (SMD)	2	C28,29
3	CS104Z2505Y5V	CERAMIC 0.1UF (SMD)	4	C16,20,21,27
3	CS221J5005COG	CERAMIC 220P (SMD)	1	C26
3	DIZDMTZJ68CT	ZENER DIODE 6.8CT	1	ZD1
3	EC10716TS	ELECT 100UF/16V (S)	2	C15,22
3	FCN1S1001401	14P FFC CONNECTOR	1	(TE5)
3	M0104420	FRAME	1	-
3	MT0101803	EARTHED METAL PLATE	1	(DIN501)
3	PT0104415	HOLDER	1	(DIN501)
3	R22118	RESISTOR 220Ω 1/8W	1	R36
3	RS00012J06	RESISTOR 0Ω (SMD)	1	D135
3	RS00018J05	RESISTOR 0Ω (SMD)	5	R34,35,37~39
3	SC0306RICI	SCREW	1	-
3	TE422000801	8P DIN CONNECTOR	1	DIN501
3	TE522500801	8P TERMINAL	1	(TE4)
3	TE522500901	9P TERMINAL	1	(TE3)
1	TWPC03C08901	DSP PCB ASS'Y	1	130
2	CS101J5005COG	CERAMIC 100P (SMD)	2	C601,602
2	CS104Z2505Y5V	CERAMIC 0.1UF (SMD)	37	C603,604,606,608,609,613,615,617,619~644,648,650,651
2	CS182K5005X7R	CERAMIC 1800P (SMD)	1	C610
2	CS200J5005COG	CERAMIC 20P (SMD)	2	C645,646
2	CS300J5005COG	CERAMIC 30P (SMD)	2	C611,612
2	CS470J5005COG	CERAMIC 47P (SMD)	2	C655,656
2	CS471J5005COG	CERAMIC 470P (SMD)	2	C607,614
2	CS680J5005COG	CERAMIC 68P (SMD)	2	C653,654
2	DIENLL4148SM	DIODE ENLL4148SM (SMD)	2	D601,602
2	EC10550TS	ELECT 1UF/50V (S)	1	C605
2	EC22616TS	ELECT 22UF/16V (S)	1	C616
2	EC22716TS	ELECT 220UF/16V (S)	1	C618
2	IC6N137	IC 6N137	1	IC1
2	IC74AHCT74D	IC 74AHCT74D	1	IC607
2	IC74HC08DT	IC 74HC08DT	1	IC606

2	IC74HC164D	IC 74HC164D	2	IC612,613
2	IC74HC32D	IC 74HC32D	1	IC605
2	IC74HCT00D	IC 74HCT00D	1	IC615
2	IC74LVC245AD	IC 74LVC245AD	1	IC602
2	ICK4S641632E	IC K4S641632E	1	IC604
2	ICTC7W14F	IC TC7W14F	5	IC608~611,614
2	ICXC56309PV100A	IC XC56309PV100A	1	IC601
2	ICYHFRC25	IC YHFRC25	1	IC603
2	ICW29C020CP	IC W29C020CP	1	-
2	JK9PLCC32J01	IC CONNECTOR	1	(IC603)
2	MT0703218	DISSIPATING PLATE	1	(IC601)
2	NM0703201	HEAT SINK TAPE	1	(IC601)
2	PC03C089	DSP PCB	1	-
2	RS00018J05	RESISTOR 0Ω (SMD)	4	R616,619,631,632
2	RS10318J05	RESISTOR 10K (SMD)	12	R602,603,604,607~610,613,614,621,628,630
2	RS22118J05	RESISTOR 220Ω (SMD)	2	R601,623
2	RS27118J05	RESISTOR 270Ω (SMD)	1	R626
2	RS33118J05	RESISTOR 330Ω (SMD)	2	R617,618
2	RS33218J05	RESISTOR 3K3 (SMD)	1	R627
2	RS33418J05	RESISTOR 330K (SMD)	1	R629
2	RS68418J05	RESISTOR 680K (SMD)	1	R606
2	TE562001602	16P CONNECTOR	1	(TE602)
2	TE562003001	30P CONNECTOR	2	(TE603,604)
2	TE612000901	9P CONNECTOR	1	(TE601)
2	XTM10000X2	CRYSTAL 10MHz	1	XTM601
1	TWPC03C09001	MAIN PCB ASS'Y	1	126
2	CS101J5005COG	CERAMIC 100P (SMD)	8	C219,227,419,427,438,440,647,649
2	CS102K5005X7R	CERAMIC 1000P (SMD)	12	C303,306,311,312,436,437,439,441,803,806,811,812
2	CS103K5005X7R	CERAMIC 0.01UF (SMD)	8	C103,104,111,112,210,410,504,704
2	CS104Z2505Y5V	CERAMIC 0.1UF (SMD)	57	C107,114,202,204,206,208,211~213,216~218,220,222~225,318,322,411~413,416~418,420,422~425,428~435,501,507,701,707,818,822,904,906,909,911,917,919~921,923~926,933
2	CS300J5005COG	CERAMIC 30P (SMD)	4	C214,215,414,415
2	CS332K5005X7R	CERAMIC 3300P (SMD)	4	C304,305,804,805
2	CS751J5005COG	CERAMIC 750P (SMD)	4	C307,308,807,808
2	CS820J5005COG	CERAMIC 82P (SMD)	2	C506,706
2	DIENLL4148SM	DIODE ENLL4148SM (SMD)	10	D202~203,301~303,402~403,801~803
2	DIZDMTZJ68CT	ZENER DIODE 6.8CT	2	ZD1,2
2	EC10625TL	ELECT 10UF/25V (L)	2	C313,813
2	EC10625TS	ELECT 10UF/25V (S)	16	C203,205,207,209,309,310,320,321,323,324,809,810,820,821,823,825
2	EC10716TS	ELECT 100UF/16V (S)	22	C221,226,316,317,421,426,816,817,824,902,903,905,910,912,918,922,927~932
2	EC22625TS	ELECT 22UF/25V (S)	2	C505,705
2	EC33725T	ELECT 330UF/25V	2	C314,814
2	EC47550TS	ELECT 4.7UF/50V (S)	6	C301,302,319,801,802,819
2	EP350101	JACK CONNECTOR	2	JK101,104
2	IC16V8D01	IC 16V8D01	2	IC203,403
2	ICGAL16V8D-15LP	IC GAL16V8D-15LP	2	-
2	IC6218	IC 6218	2	IC207,407
2	IC74HC165D	IC 74HC165D	4	IC204,205,404,405
2	IC74HCT157D	IC 74HCT157D	2	IC206,406
2	ICBA05FP	IC BA05FP	2	IC901,903
2	ICBA4558F	IC BA4558F	2	IC301,801
2	ICCS8405A	IC CS8405A	2	IC202,402
2	ICDA1191	IC DA1191	2	IC104,105
2	ICYHFRC27	IC YHFRC27	2	IC201,401
2	ICPIC18F8722	IC PIC18F8722	2	-
2	MT0101802	SIGNAL PLATE	2	(RCA101,104)
2	MT0101803	EARTHED METAL PLATE	2	(PS101,201)
2	MT0601802	GROUND METAL	2	(RCA102,103)
2	MT0701816	FIX PLATE	2	(JK101,104)
2	PC03C090	MAIN PCB	1	-
2	PT0104415	HOLDER	2	(PS101,201)
2	RJ102A-09	RCA JACK	2	RCA101,104
2	RJ1081	RCA JACK	2	RCA102,103
2	RS00018J05	RESISTOR 0Ω (SMD)	10	JS7,28,R244,267~272,444
2	RS10012J06	RESISTOR 10Ω (SMD)	2	D401,201

2	RS10018J05	RESISTOR 10Ω (SMD)	4	R506,507,706,707
2	RS10118J05	RESISTOR 100Ω (SMD)	6	R208,214,321,322,821,822
2	RS10218J05	RESISTOR 1K (SMD)	16	R206,212,235,241~243,256,261,262,273~275,435,441~443
2	RS10318J05	RESISTOR 10K (SMD)	86	R201,202,215~228,230~234,236,238,240,245~255,257~260,315,316,401,402,415~428,430~434,436,438,440,445~455,457~460,501,504,701,704,815,816
2	RS10418J05	RESISTOR 100K (SMD)	4	R319,320,819,820
2	RS10518J05	RESISTOR 1M (SMD)	2	R239,439
2	RS12218J05	RESISTOR 1K2 (SMD)	4	R301,302,328,801
2	RS20318J05	RESISTOR 20K (SMD)	4	R313,314,813,814
2	RS22118J05	RESISTOR 220Ω (SMD)	4	R207,213,263,264
2	RS33218J05	RESISTOR 3K3 (SMD)	4	R303,304,803,804
2	RS39218J05	RESISTOR 3K9 (SMD)	2	R502,702
2	RS39318J05	RESISTOR 39K (SMD)	4	R305,306,805,806
2	RS47118J05	RESISTOR 470Ω (SMD)	12	R203~205,209~211,309,310,809,810,265,266
2	RS56118J05	RESISTOR 560Ω (SMD)	2	R503,703
2	RS56218J05	RESISTOR 5K6 (SMD)	8	R307,308,311,312,807,808,811,812
2	RS56418J05	RESISTOR 560K (SMD)	4	R317,318,817,818
2	RS68018J05	RESISTOR 68Ω (SMD)	2	R505,705
2	TE10200502	5P CONNECTOR	5	(TE201,203,401,403,404)
2	TE10200601	6P CONNECTOR	1	(TE1)
2	TE422000801	8P DIN CONNECTOR	2	PS101,201
2	TE612000202	2P CONNECTOR	4	(CN1,CN2,TE2,TE3)
2	TE612500801	8P CONNECTOR	1	(CN901)
2	TE962001401	14P CONNECTOR	2	(TE103,108)
2	TE962001602	16P CONNECTOR	1	(TE607)
2	TE962002201	22P CONNECTOR	2	(TE104,109)
2	TE962003001	30P CONNECTOR	2	(TE608,609)
2	TE962003601	36P CONNECTOR	2	(TE608,609)
2	TR2SA1037ASM	TRANSISTOR 2SA1037ASM (608)	2	Q303,803
2	TR2SC2412KSM	TRANSISTOR 2SC2412KSM (536)	2	Q501,701
2	TR2SD2114KSM	TRANSISTOR 2SD2114KSM (2878)	4	Q301,302,801,802
2	TRDTA124ESM	TRANSISTOR DTA124ESM	2	Q304,804
2	TRDTC124ESM	TRANSISTOR DTC124ESM	2	Q305,805
2	UH322513T100K	CHOKE COIL	10	L101,102,104,105,107,108,301,302,801,802
2	UHMSH0505-02	LOOP CORE	1	L1
2	XTM20000X2	CRYSTAL 20MHz	2	XTM201,401
1	TWPC03C09701	MECHA PCB ASS'Y	1	
2	TWPC03C097B01	OP/CL PCB ASS'Y	1	116
3	BALE48213-0A	LED HOLDER	2	(LED103,104)
3	CN0220000703	2P CONNECTOR (70mm)	1	CN102
3	CN0620002001	6P CONNECTOR (200mm)	1	CN104
3	JW5206T	JUMP WIRE	2	J20,21
3	LD-240E4HWS	RED LED	2	LED103,104
3	RS27118J05	RESISTOR 270Ω (SMD)	2	R103,104
3	SWSKHVBE3520	TACT SWITCH	2	SW101,102
3	TE812000211	2P CONNECTOR	1	(CN102)
3	TE812000611	6P CONNECTOR	1	(CN104)
2	TWPC03C097C01	POWER PCB ASS'Y	1	113
3	LD-005HLV	RED LED	2	LED101,102
3	RS27118J05	RESISTOR 270Ω (SMD)	2	R101,102
3	TE812000211	2P CONNECTOR	1	(CN101)
2	TWPC03C097D01	MIDI PCB ASS'Y	1	134
3	CS104Z2505Y5V	CERAMIC 0.1UF (SMD)	1	CN103
3	CS820J5005COG	CERAMIC 82P (SMD)	4	CN101,102,108,109
3	M0104420	FRAME	1	-
3	RS22118J05	RESISTOR 220Ω (SMD)	1	R634
3	SC0306RICI	SCREW	1	-
3	TE10200502	5P CONNECTOR	1	(TE202)
3	TE422000501	5P DIN CONNECTOR	2	MID101,102

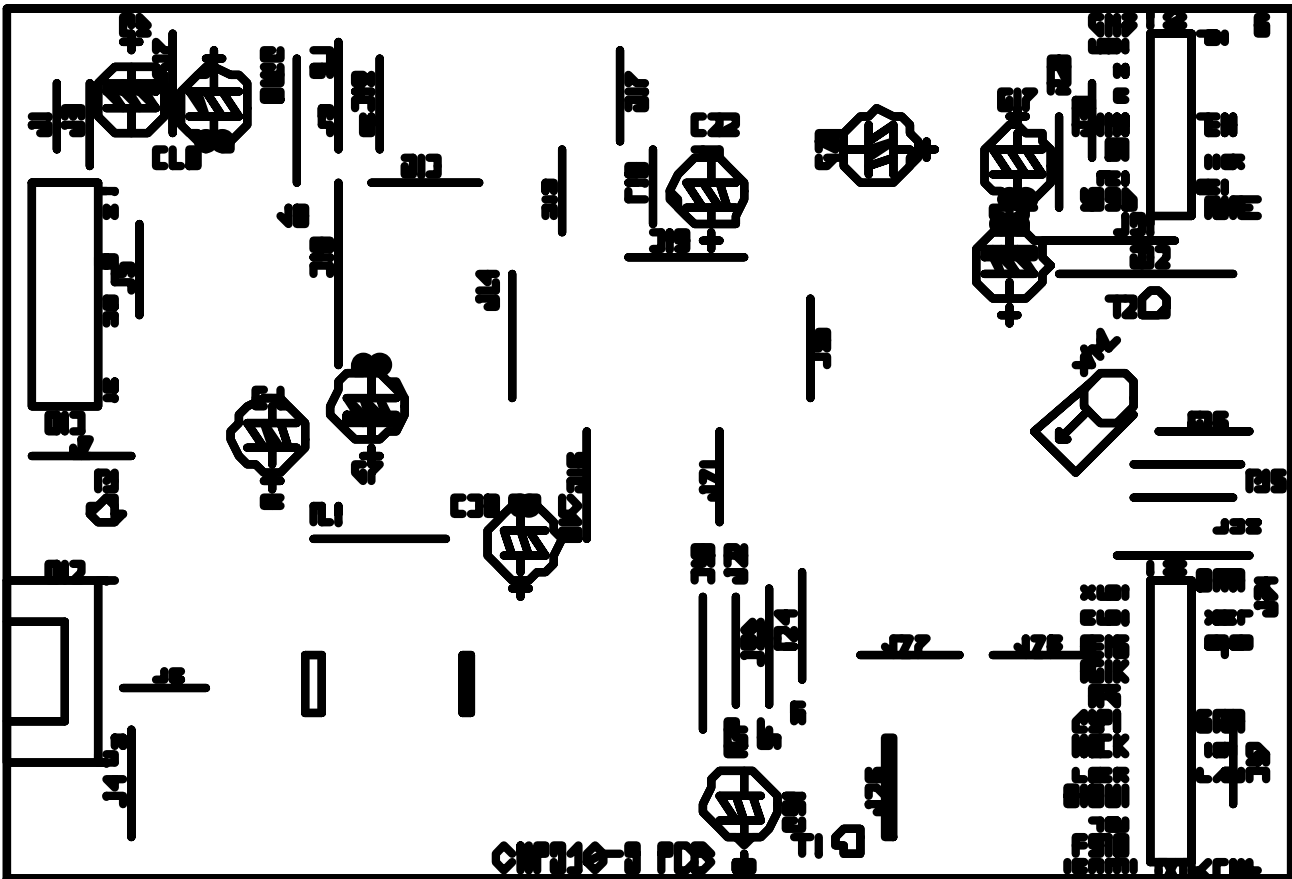


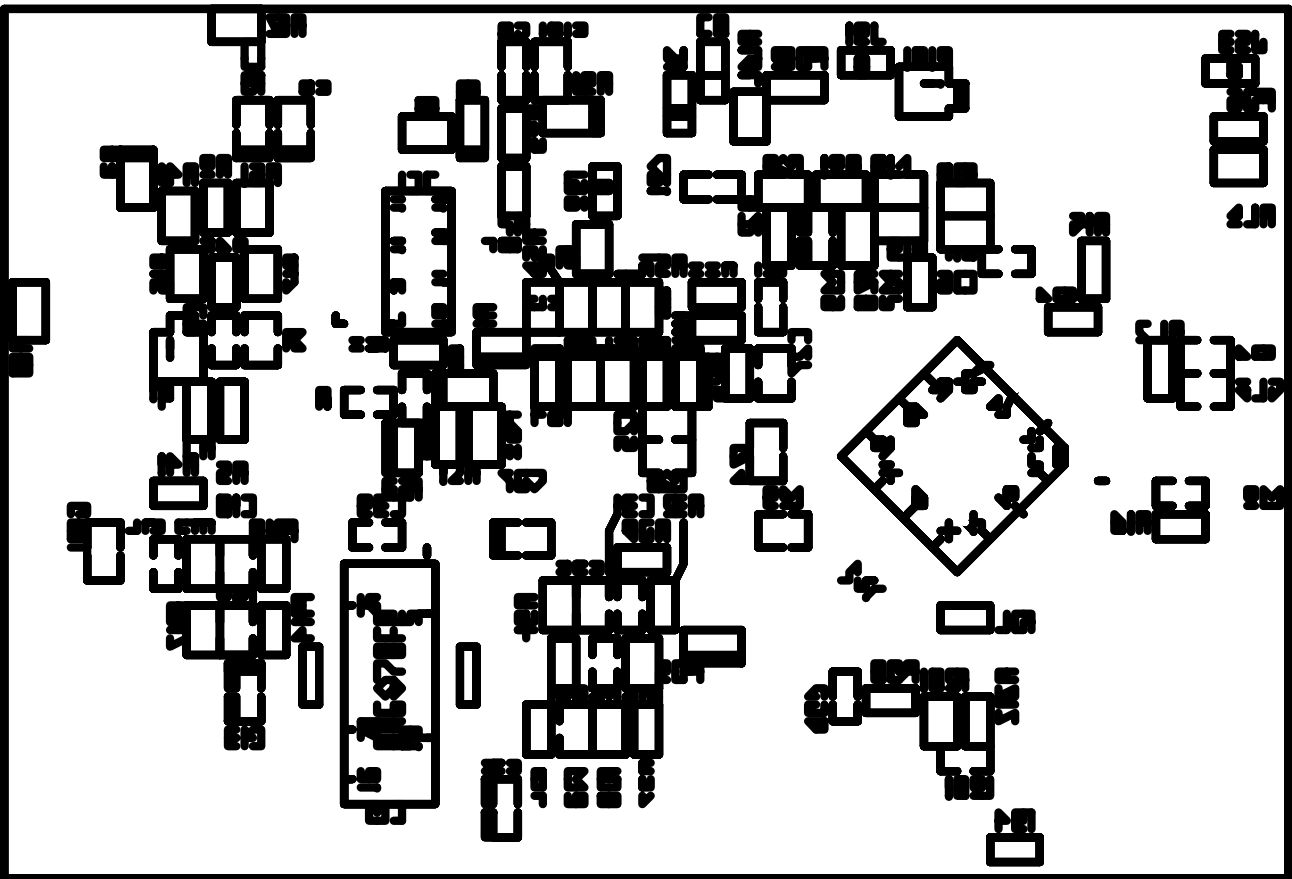
TO SLOT IN

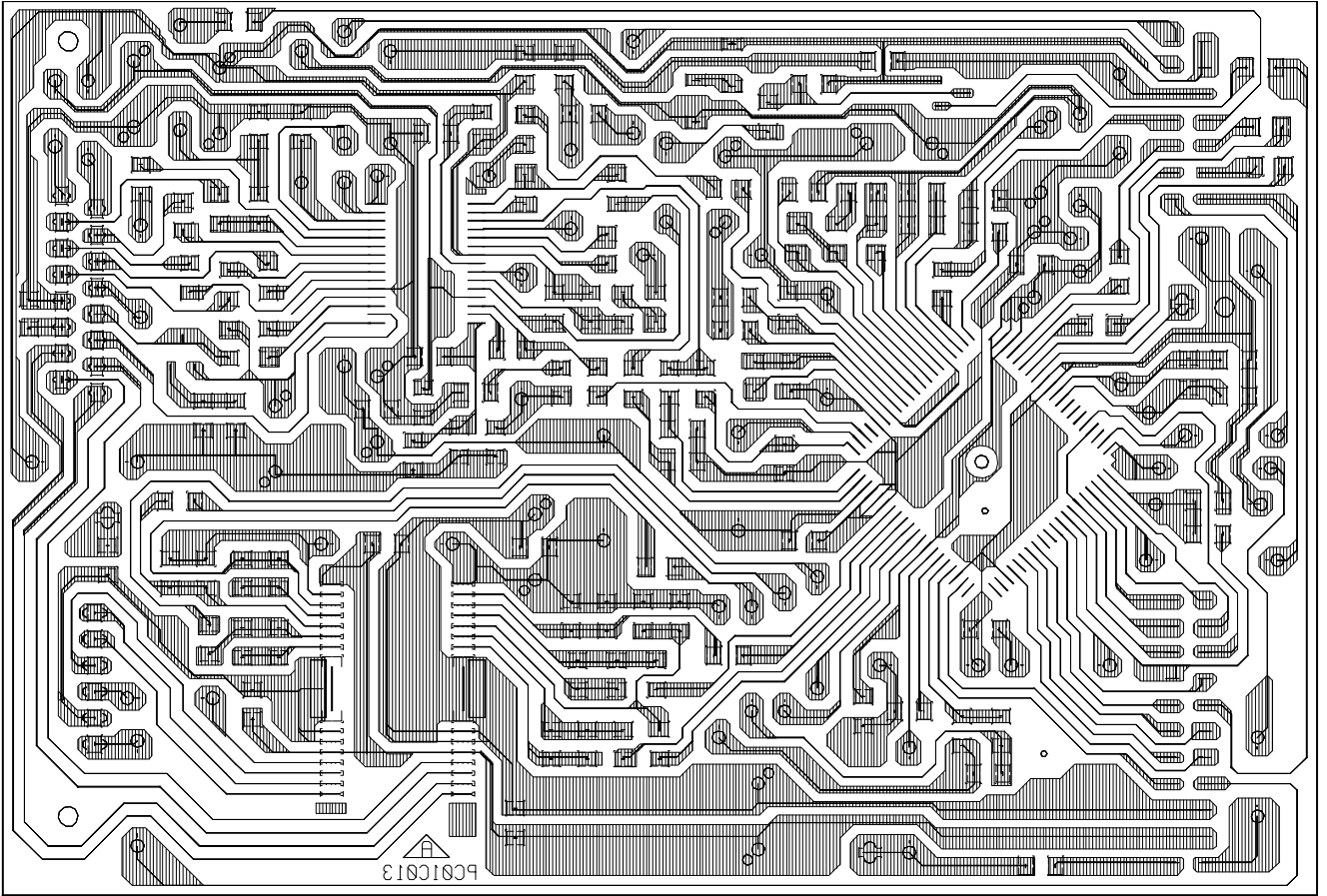


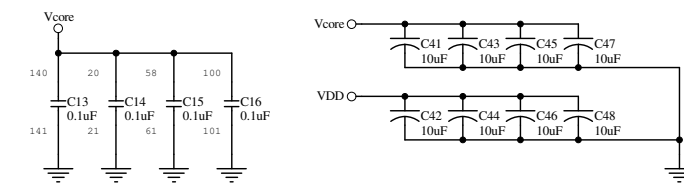
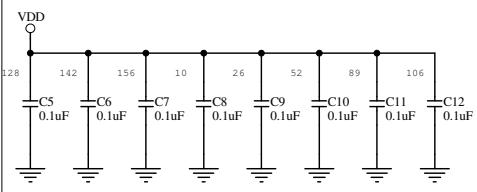
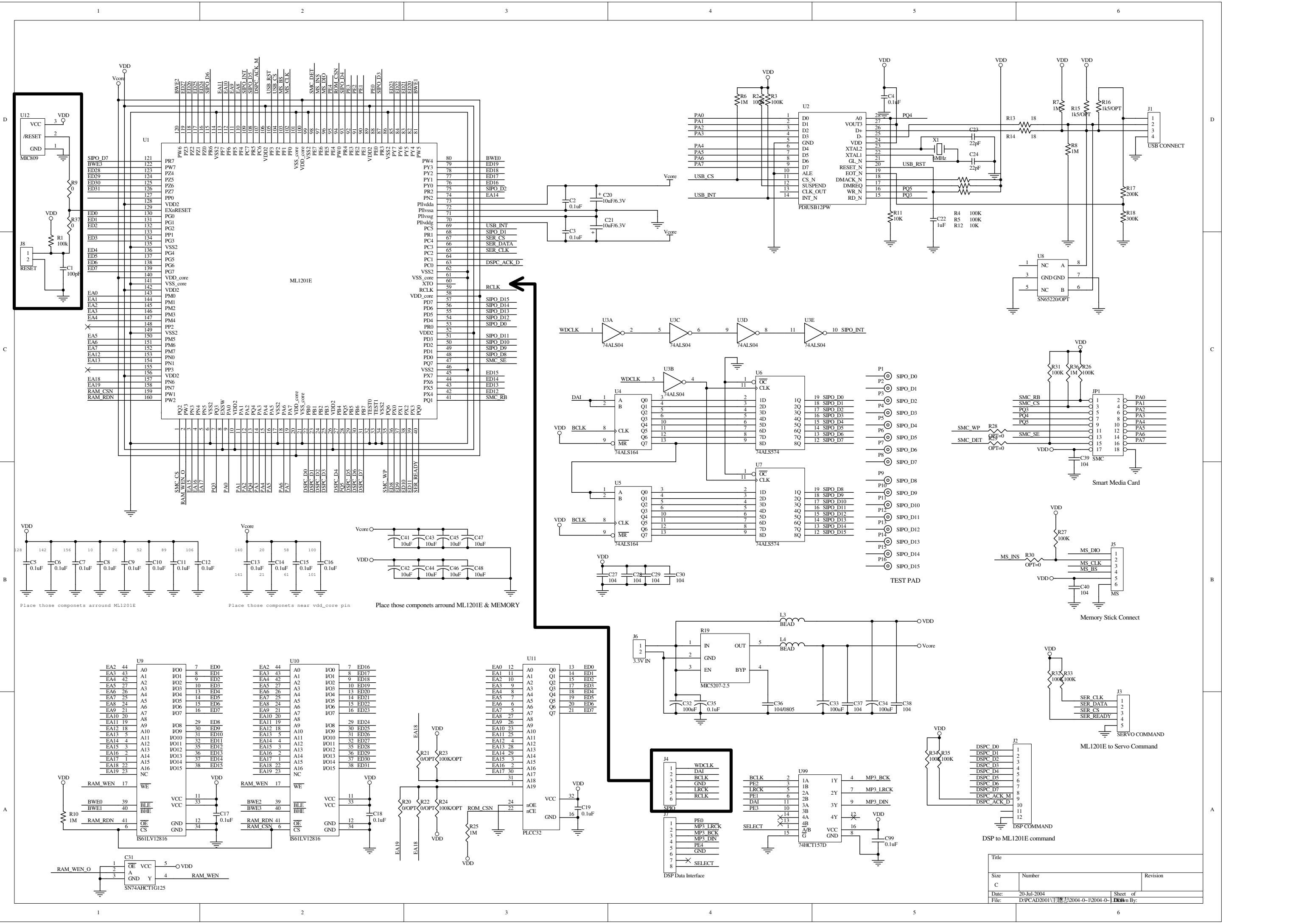
Title CDMP3400/3500 SERVO SCHEMATIC DIAGRAM			
Size A2	Number CDMP3400/CDMP3400-S.SCH	Rev 2	
Date 04/30/04	Drawn by		
Filename	Sheet		of

APPROVAL	CHECK	DESIGN	REV	DATE	DESCRIP	REVISIONS
			04/30/04	R54 -> 2K2 / R55 -> 1K5 / R57 -> 2K2 / R58 -> 330		
			02/19/04	JS4 -> 100		

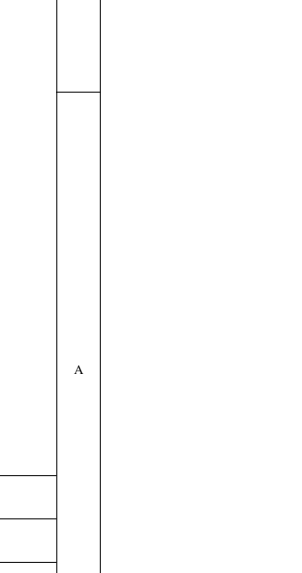
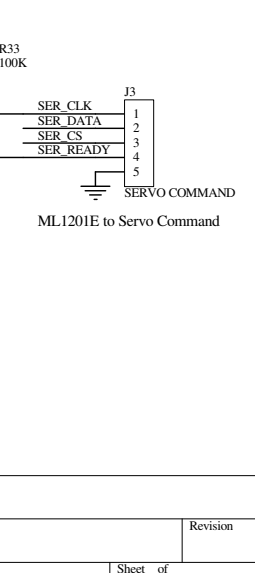
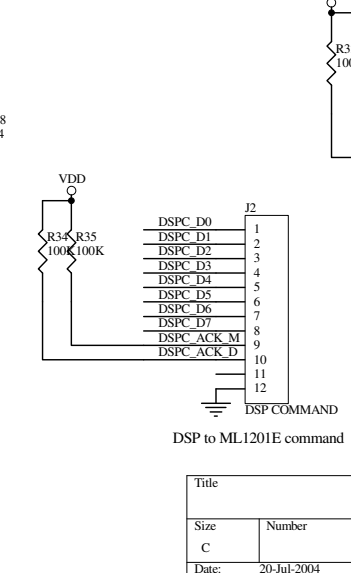
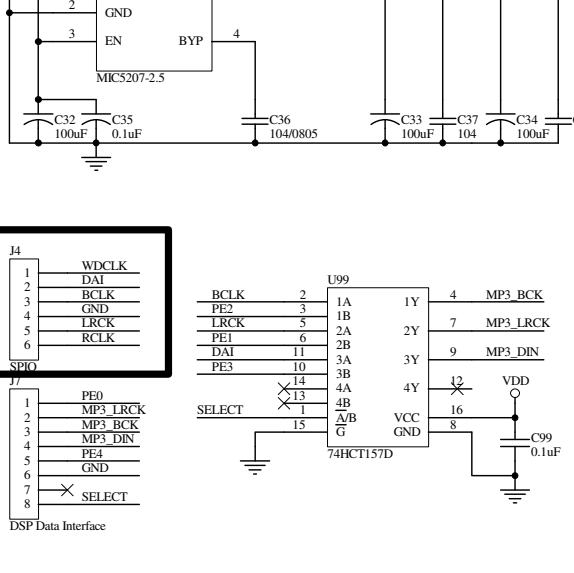
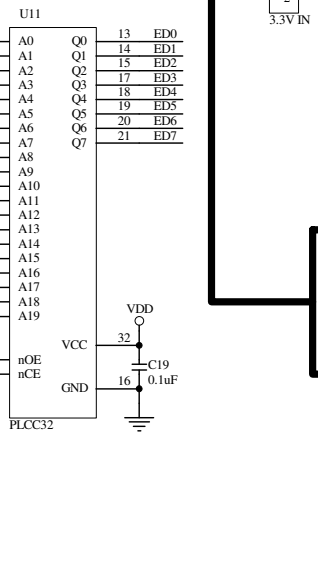
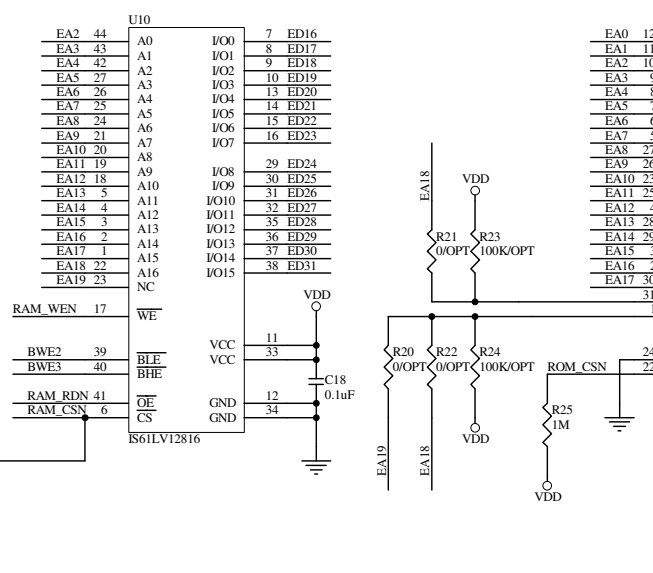
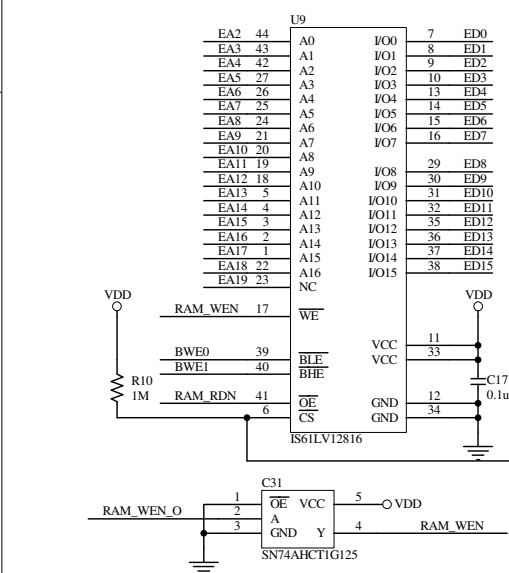








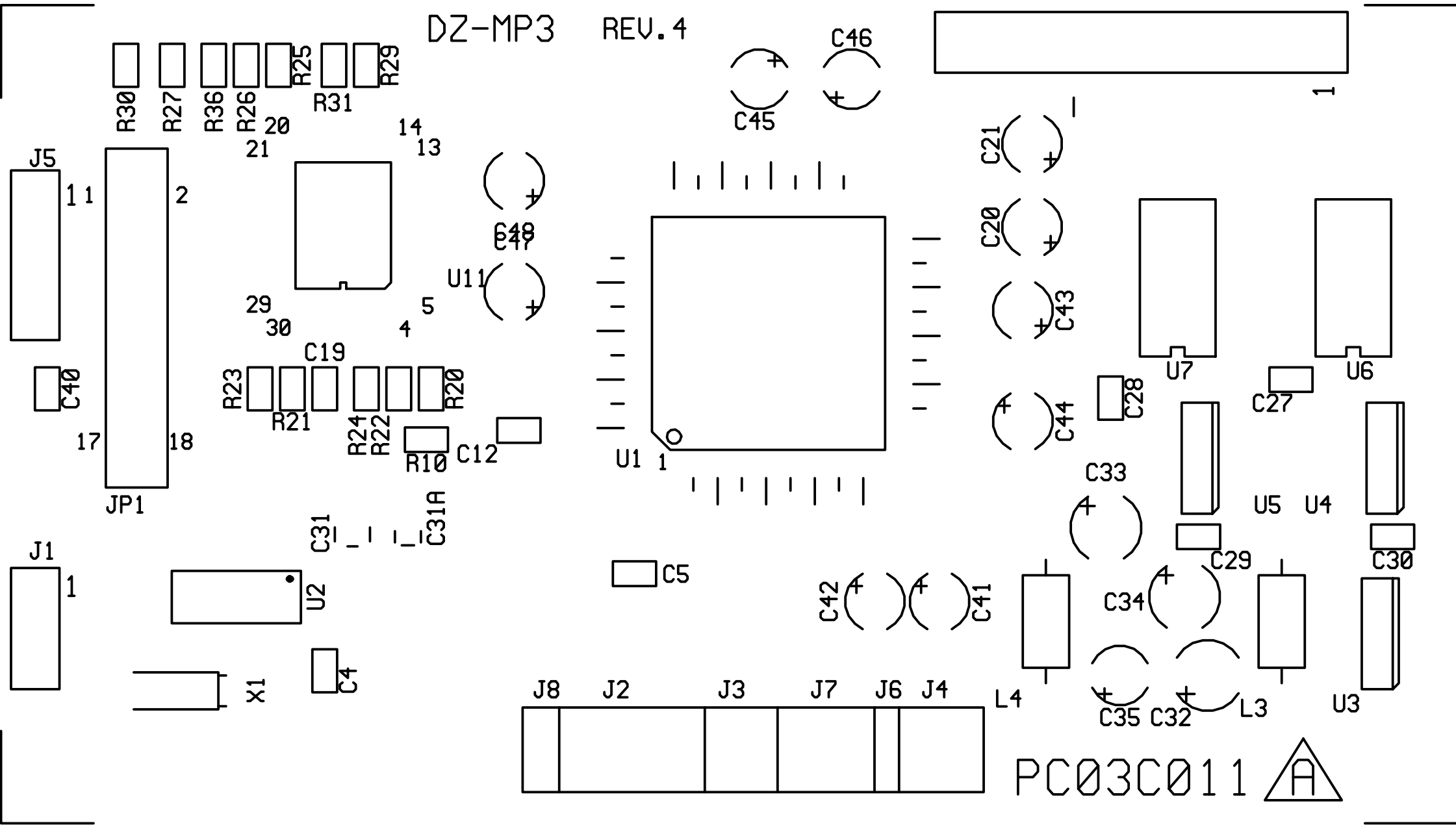
Place those components around ML1201E Place those components near vdd_core pin Place those components around ML1201E & MEMORY

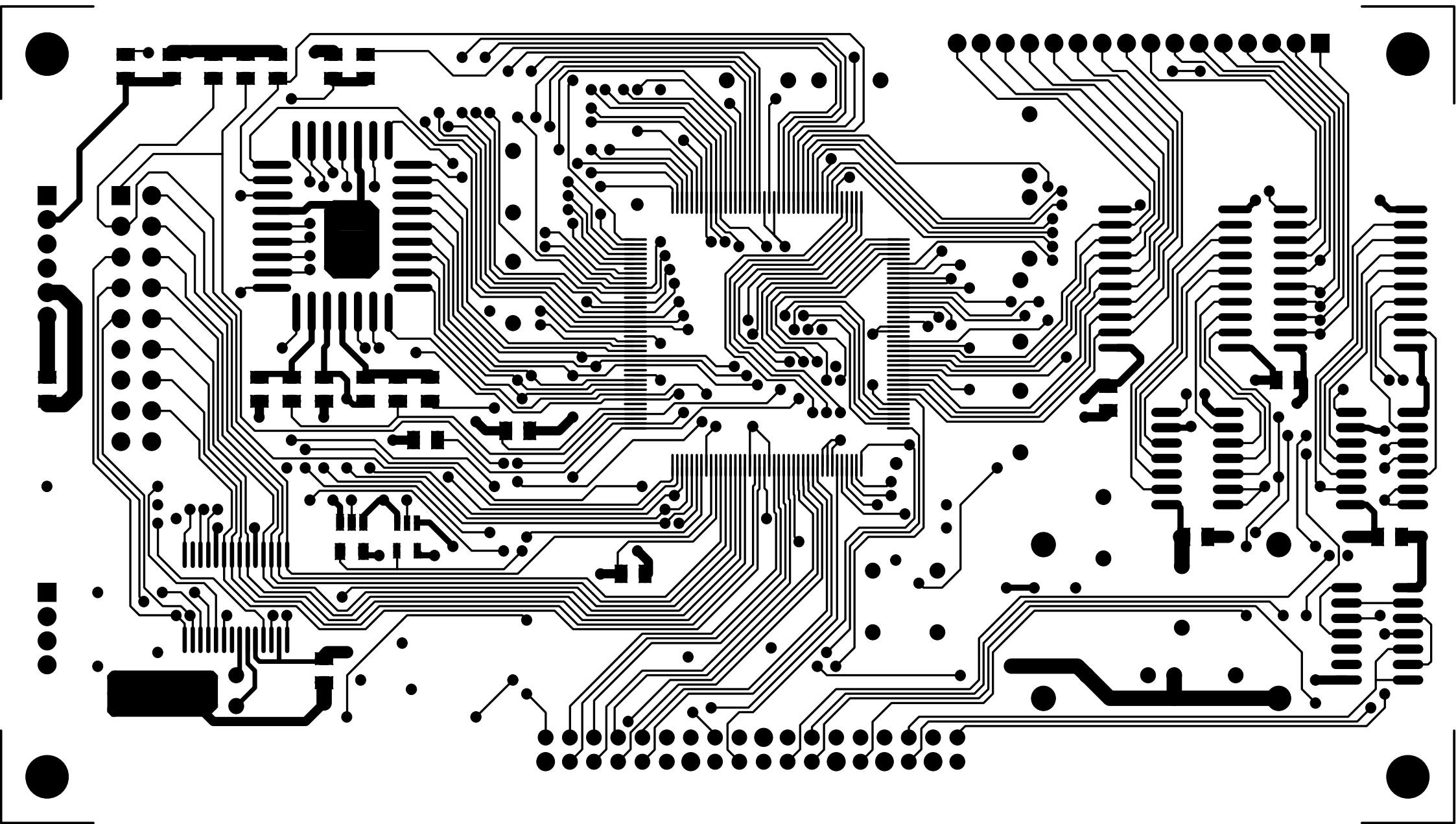


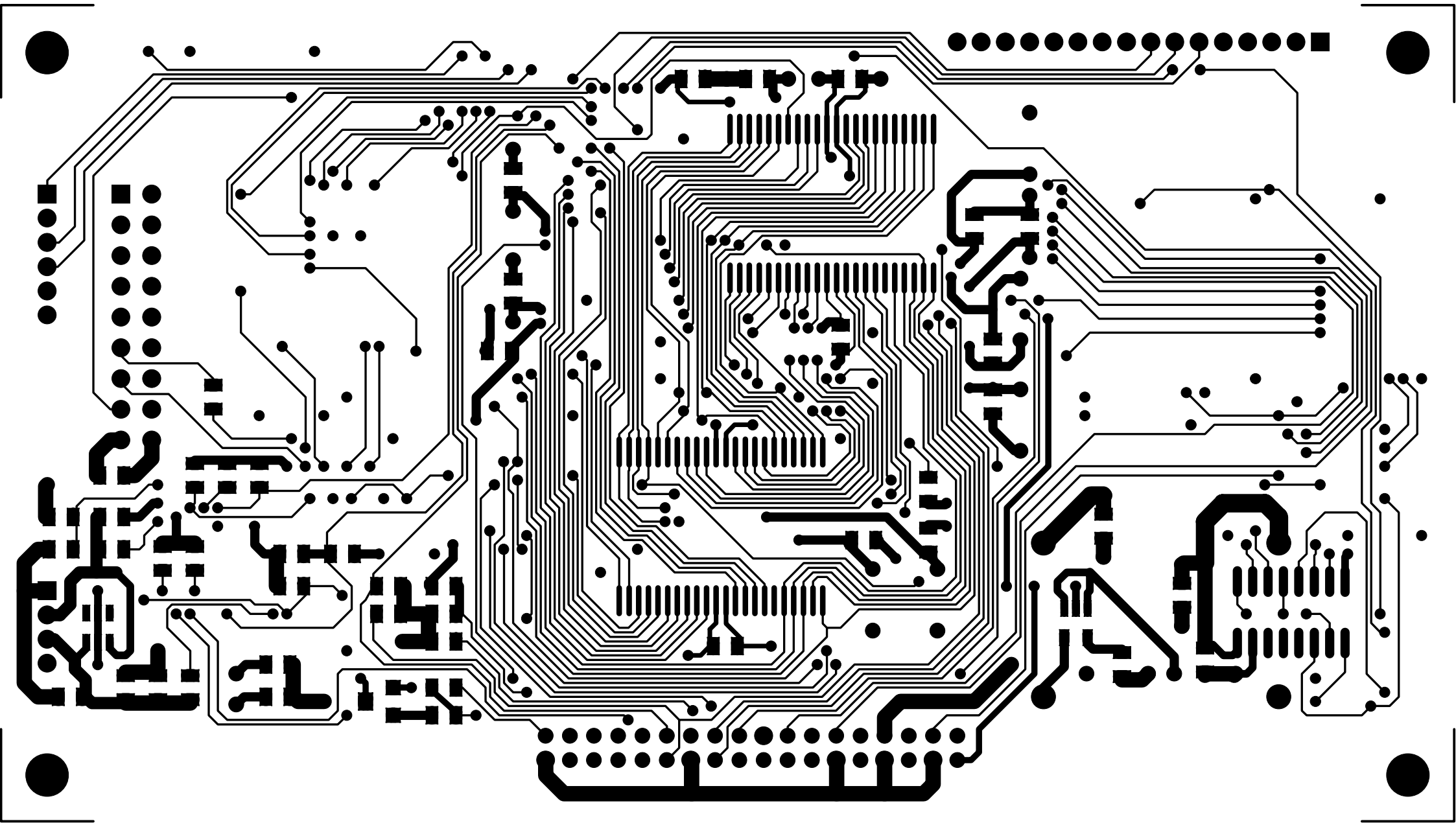
Title		
Size	Number	Revision
C		
Date:	20-Jul-2004	Sheet of
File:	D:\PCAD2001\T...E...2004-0-1\2004-0-1.Dwg	Drawn By:

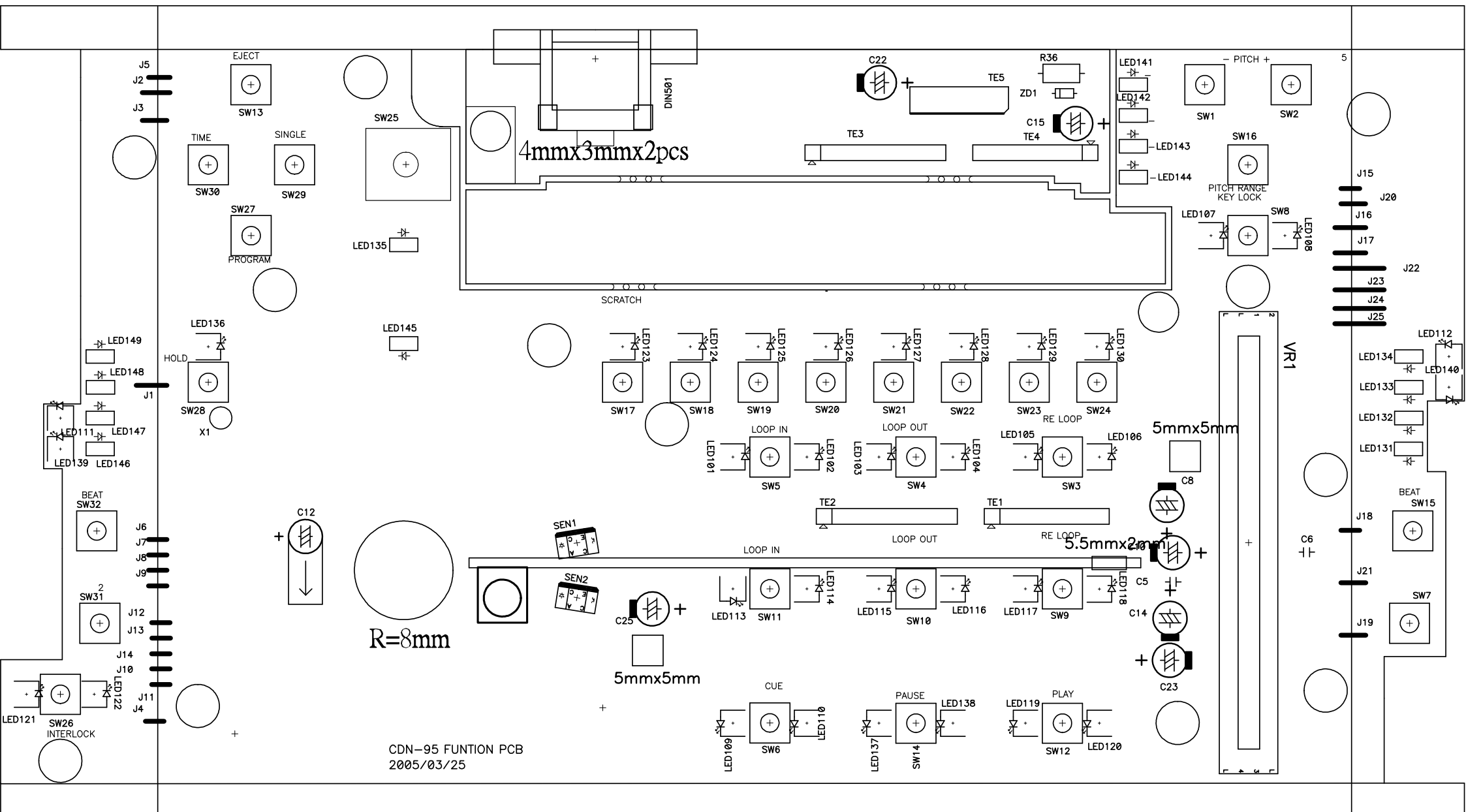
DZ-MP3

REV. 4









4mmx3mmx2pcs

SCRATCH

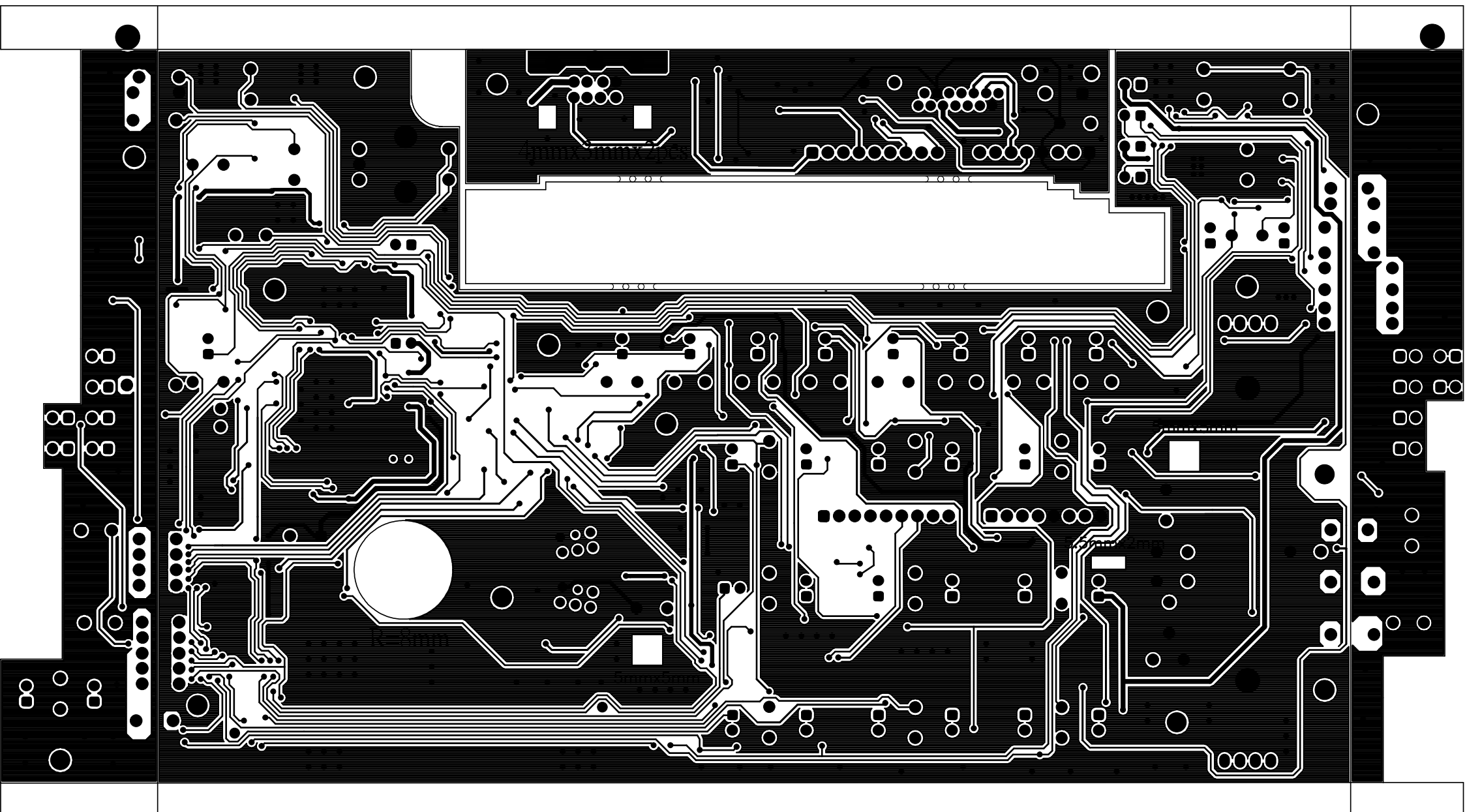
R=8mm

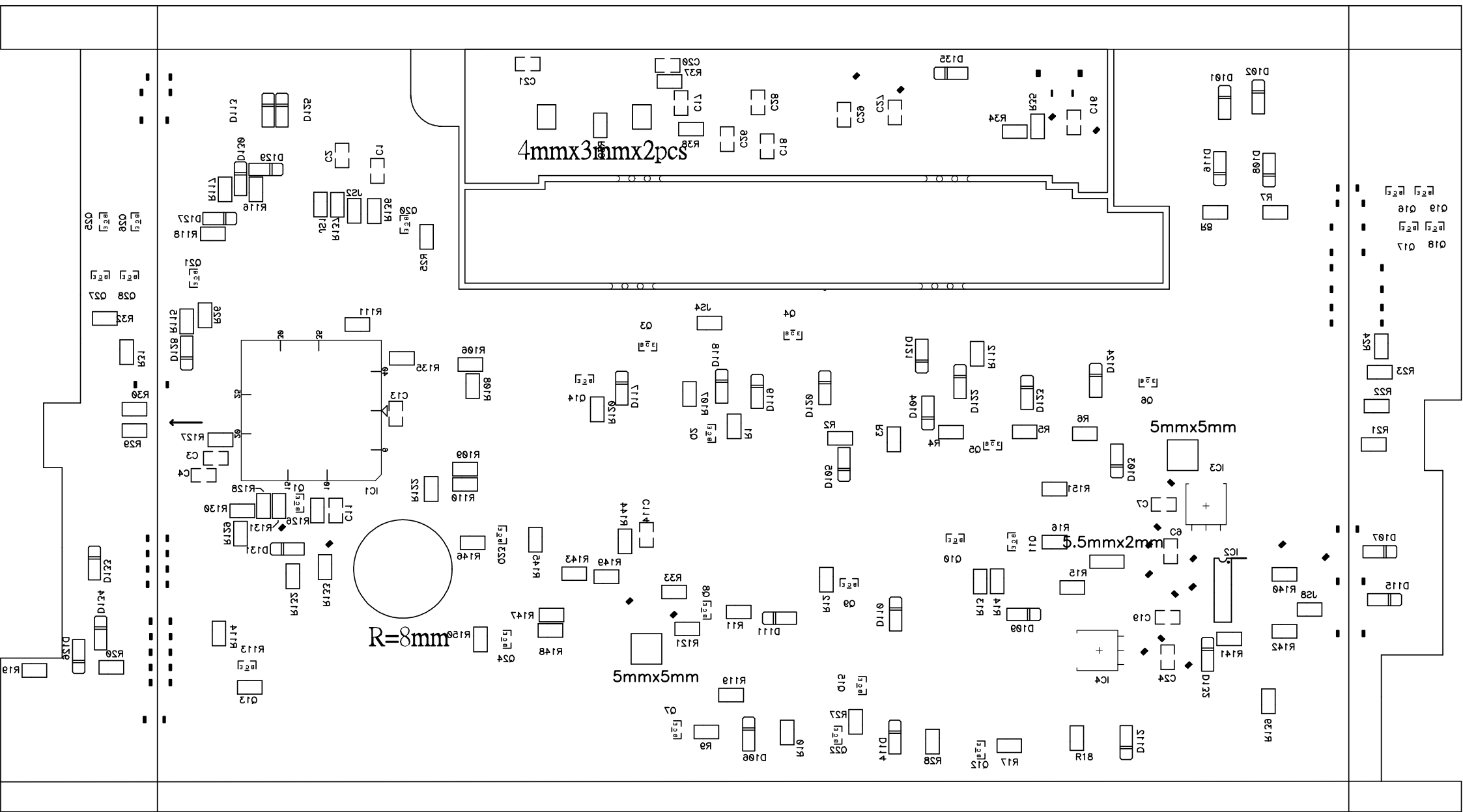
5mmx5mm

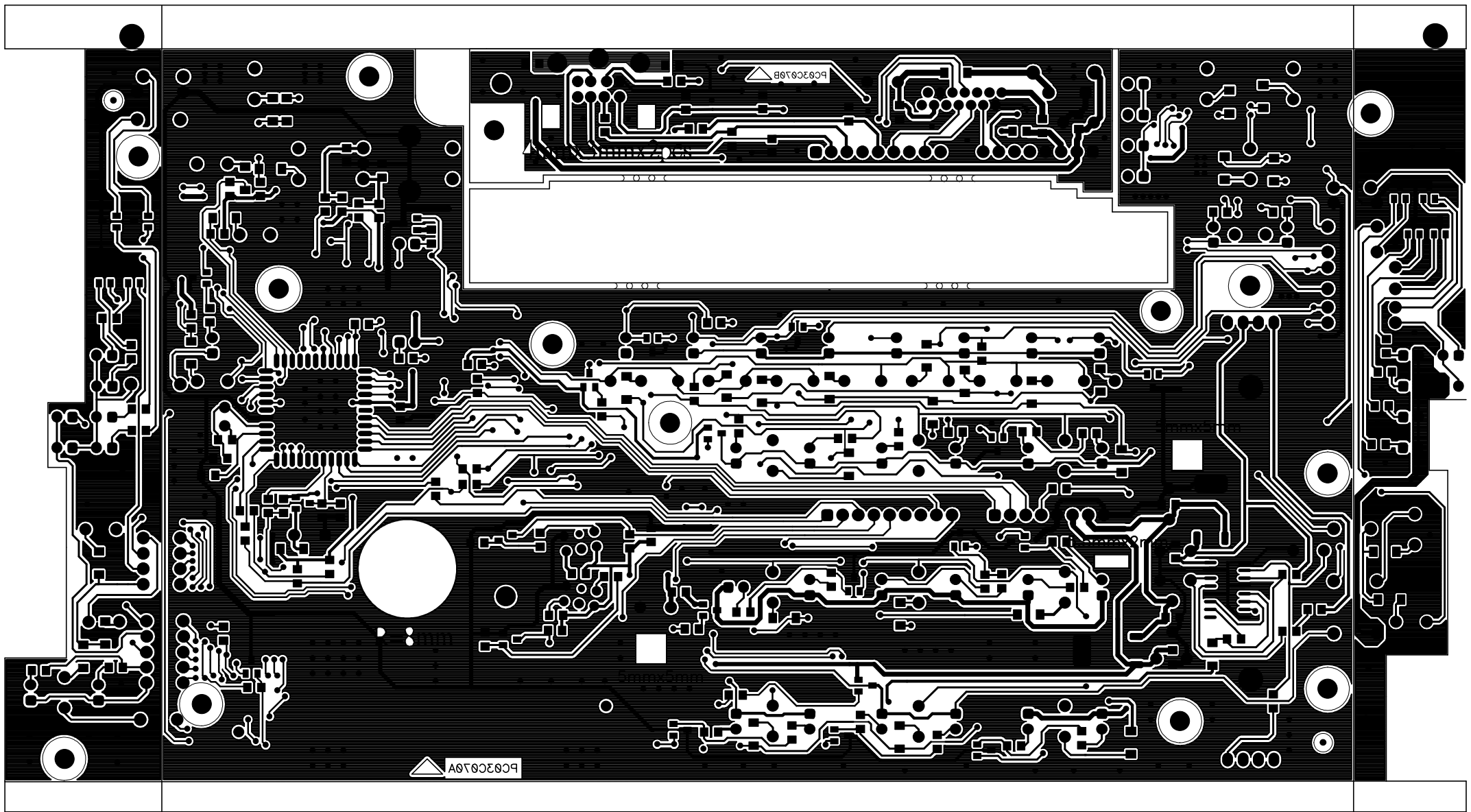
5.5mmx2mm

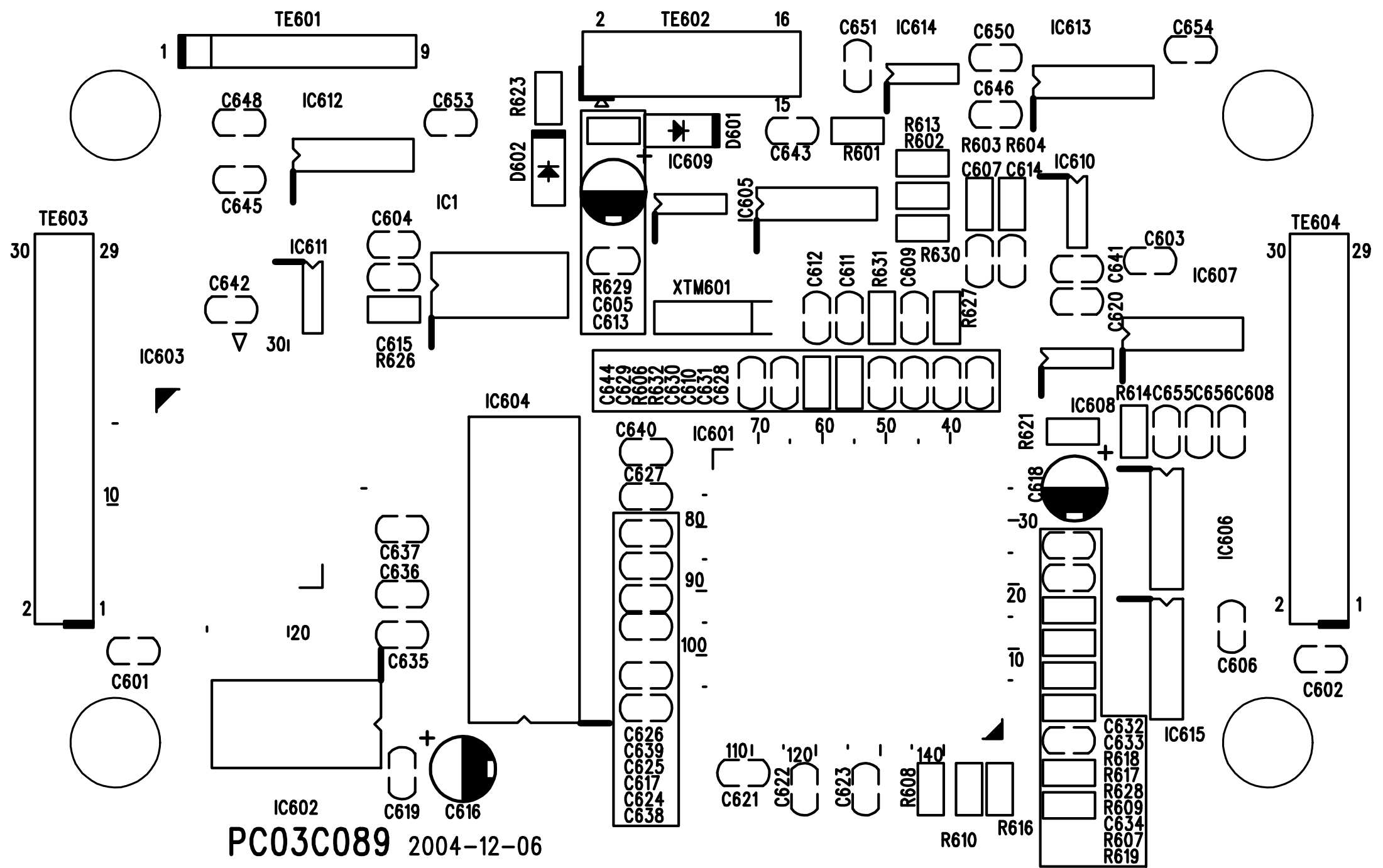
5mmx5mm

CDN-95 FUNTION PCB
2005/03/25









PC03C089 2004-12-06

