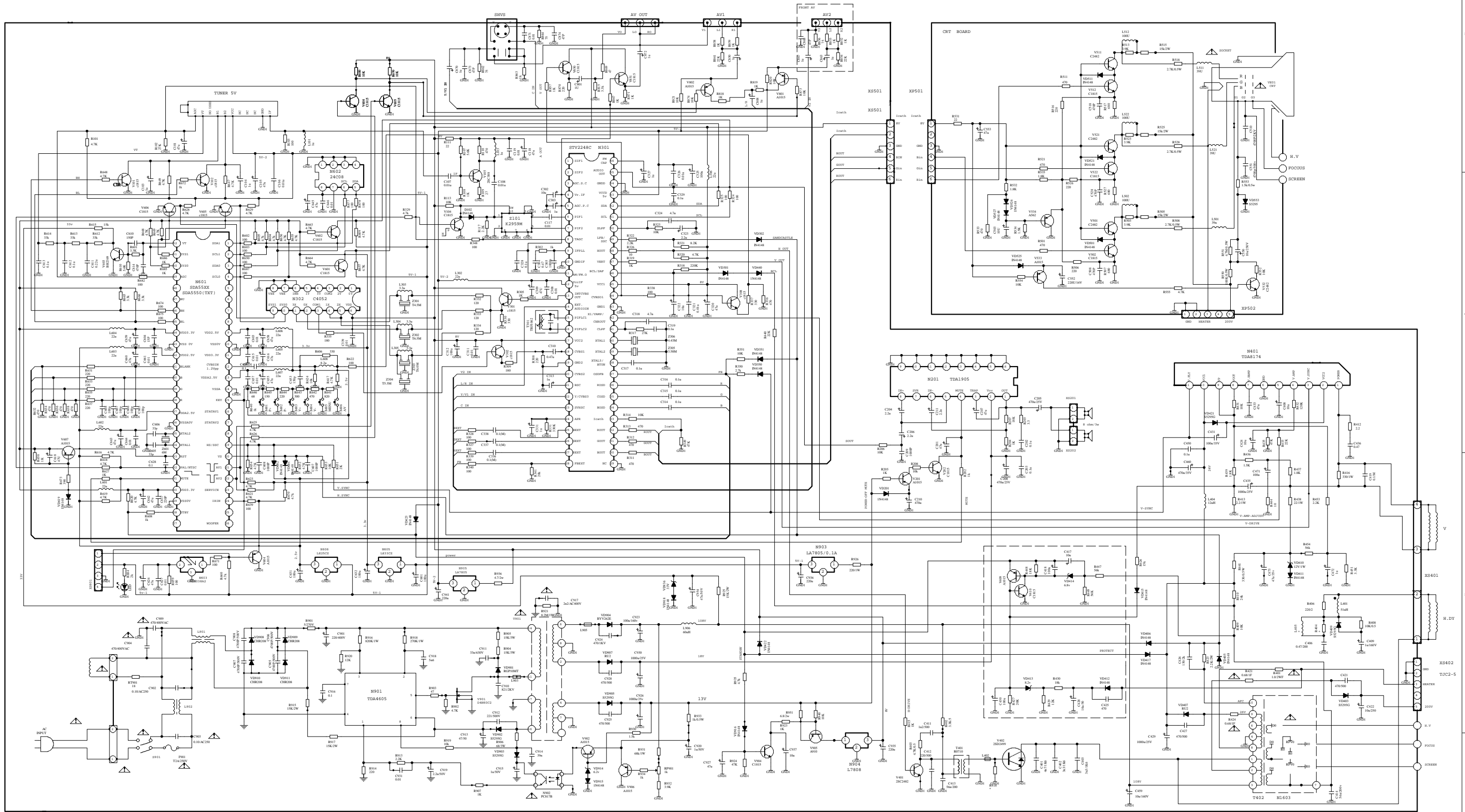



# 14" 21" AXT1, EXT1, AX, CX SERIES COLOUR TV BASIC CIRCUIT DIAGRAM



41002616

1. To ensure product's safety, please replace the component with  symbol with the same model specification, as these components are important for product's safety.
2. Circuit are subject to change without notice.

Rev	Number	Revision
A		
B		
C		