

FIG. 15

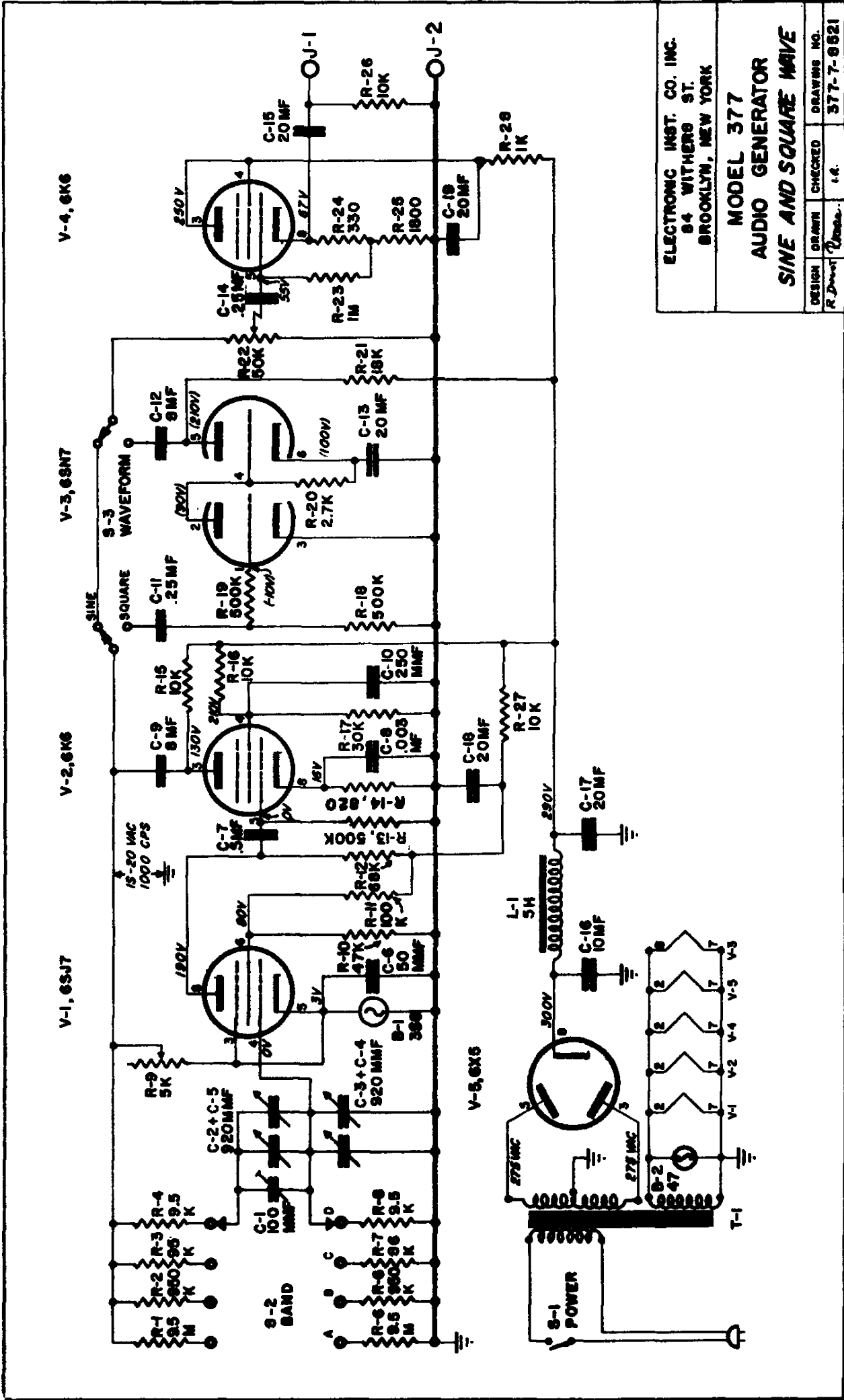
LAMP REPLACEMENT: The three watt lamp, B1, is never lit up in normal operation as it is operated below the level necessary for incandescence. As a result, it should have extremely long life. If, however, it becomes necessary to replace the lamp, it is required to check the a-c voltage from the arm of R9 to ground with the new lamp in place. This a-c voltage should be between 15 and 20 volts (r.m.s.), as measured with a high impedance vacuum-tube voltmeter, when the Audio Generator is tuned to 1000 c.p.s. If the voltage is not within this range, correct it by adjustment of pot R9. If the voltage cannot be brought within 15 to 20 volts with the new lamp in place, try another lamp instead.

INTERMITTENT OUTPUT: If the output is intermittent, check to see if the three watt lamp, B1, is flashing also. If it is, check for a short in the main tuning condenser. Clear out the short, but be careful not to bend the plates.

DISTORTION: Excessive distortion may result from a bad tube, a leaky coupling capacitor, an open by-pass capacitor, a defective electrolytic capacitor, low +B voltage, or too much output from the oscillator section of the circuit.

EICO REPAIR SERVICE

If your instrument fails to function properly and the cause of the trouble is not apparent, you may return it to the EICO repair department where it will be repaired for a nominal charge.



ELECTRONIC INST. CO. INC.
 84 WITHERS ST.
 BROOKLYN, NEW YORK

MODEL 377
 AUDIO GENERATOR
 SINE AND SQUARE WAVE

DESIGN	DRAWN	CHECKED	DRAWING NO.
R. D.	377-7-9521

