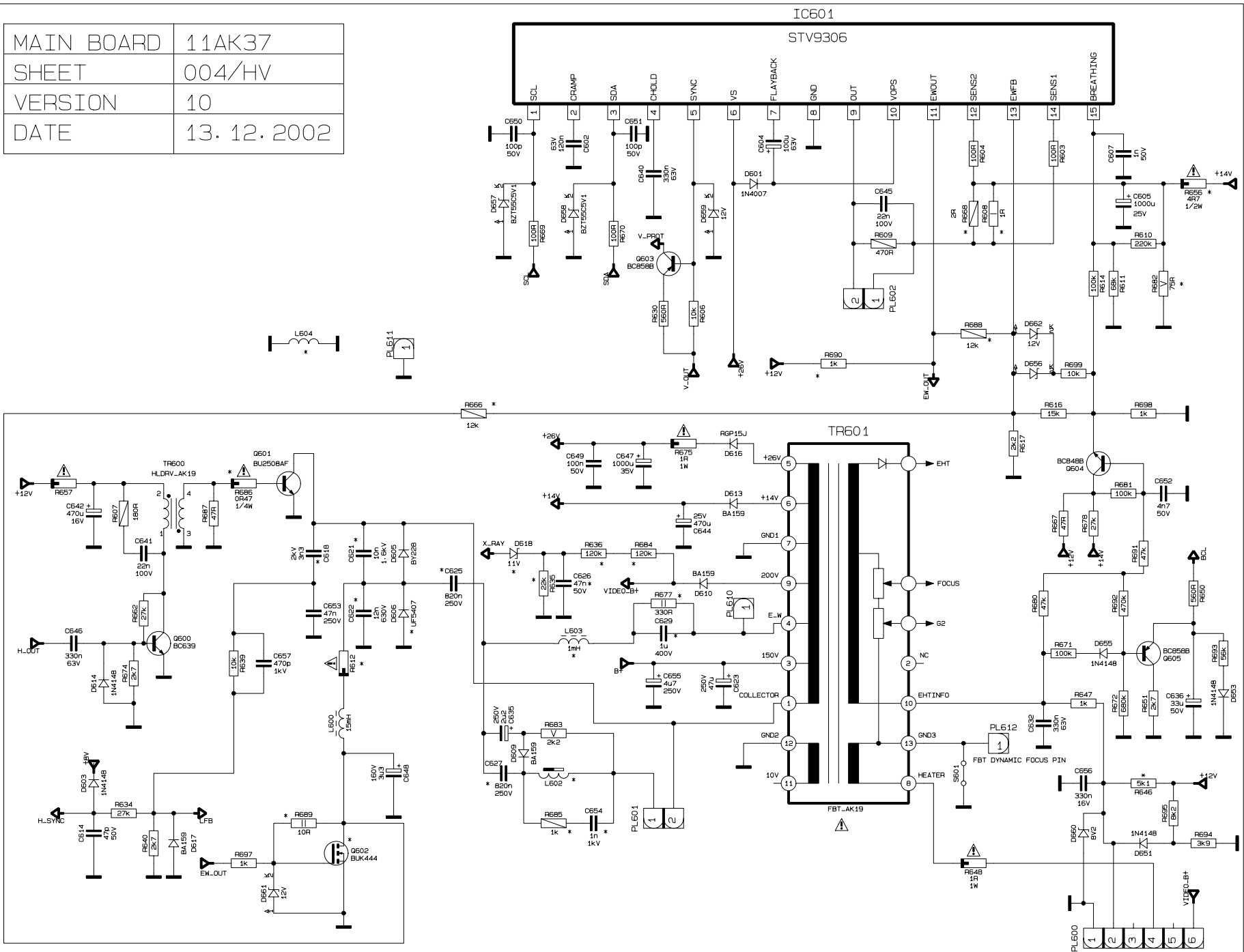


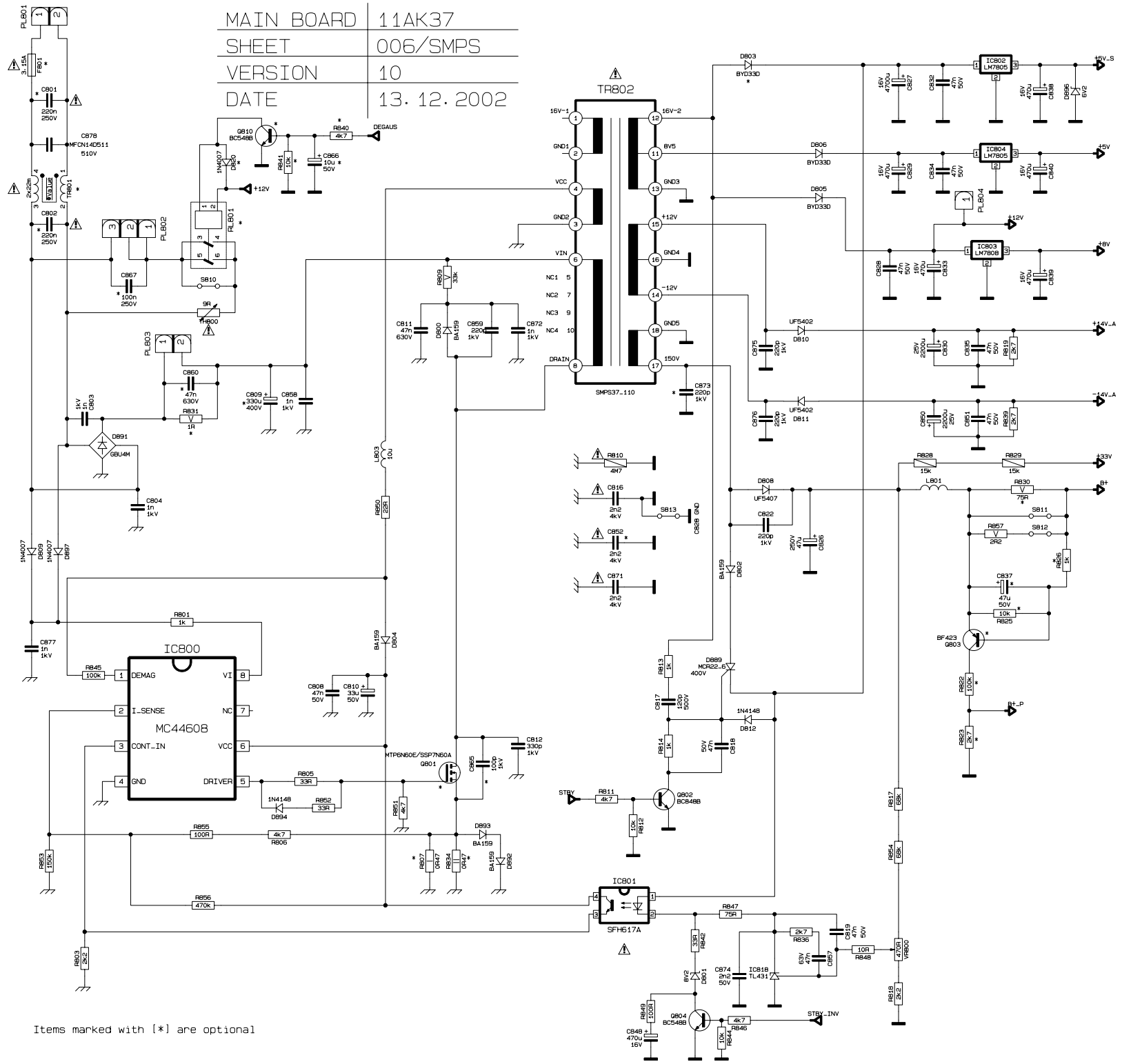
MAIN BOARD	11AK37
SHEET	001 / uC
VERSION	10
DATE	13. 12. 2002

MAIN BOARD	11AK37
SHEET	004/HV
VERSION	10
DATE	13. 12. 2002

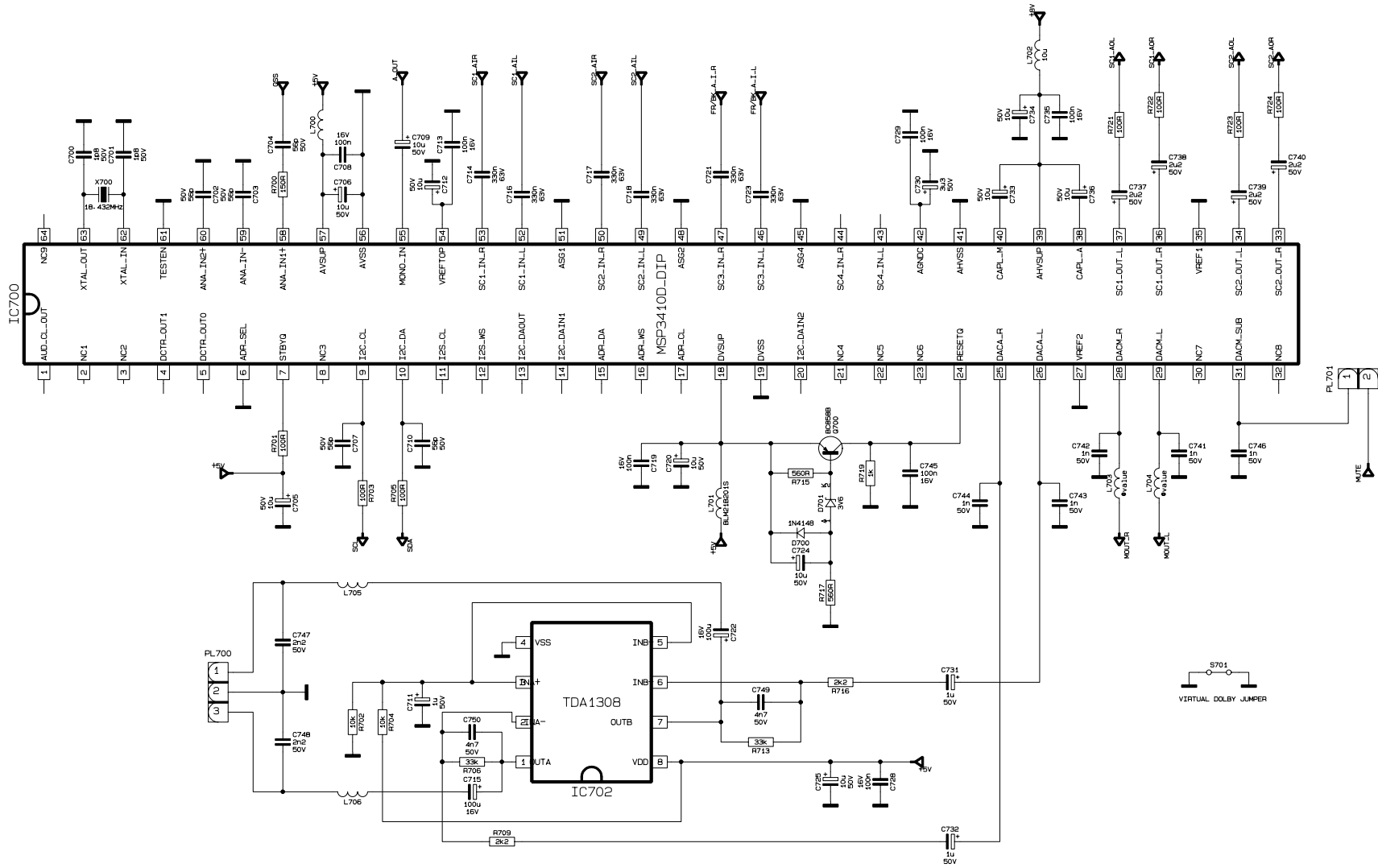


Items marked with [\*] are optional

MAIN BOARD	11AK37
SHEET	006/SMPS
VERSION	10
DATE	13.12.2002

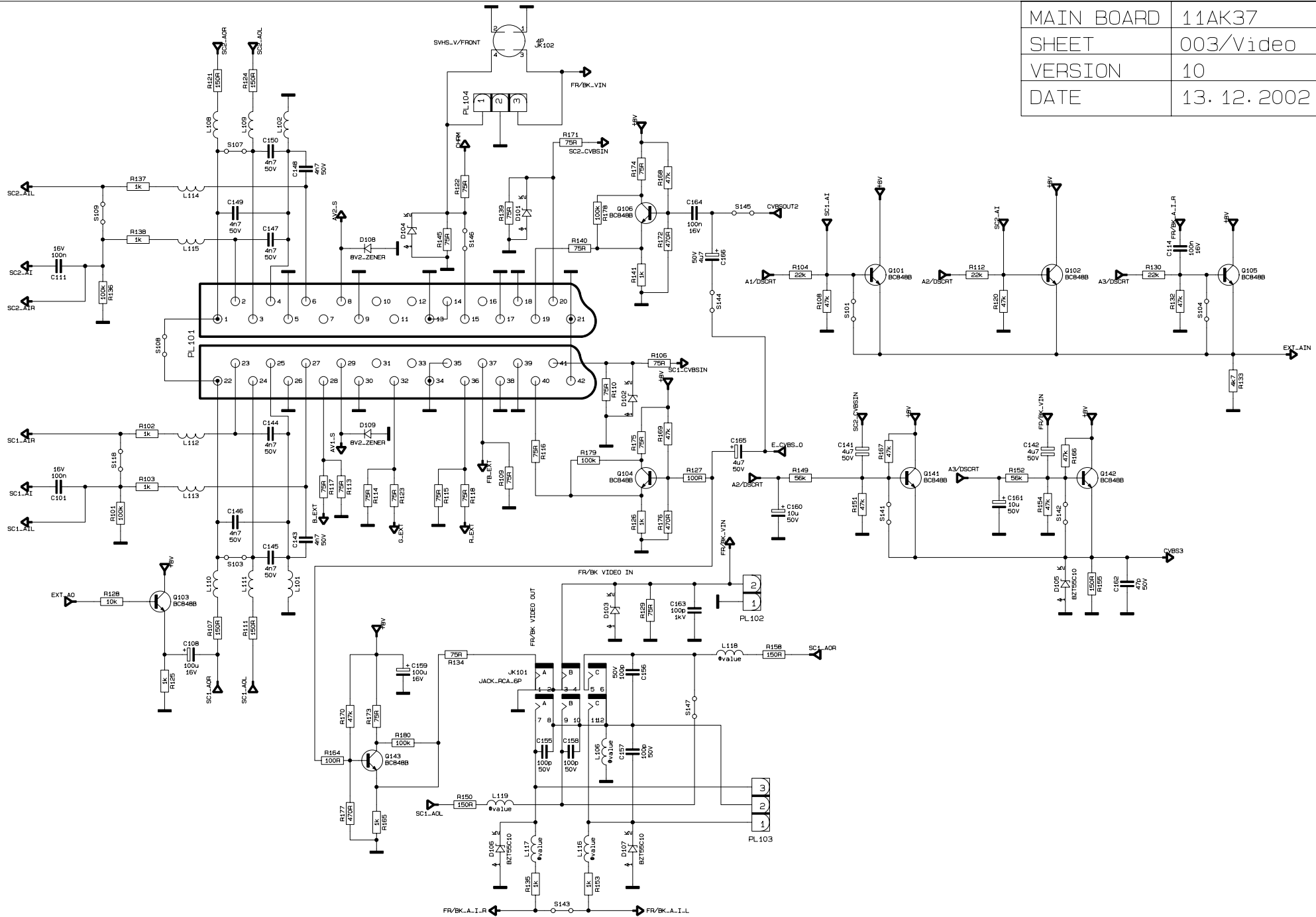


Items marked with [\*] are optional

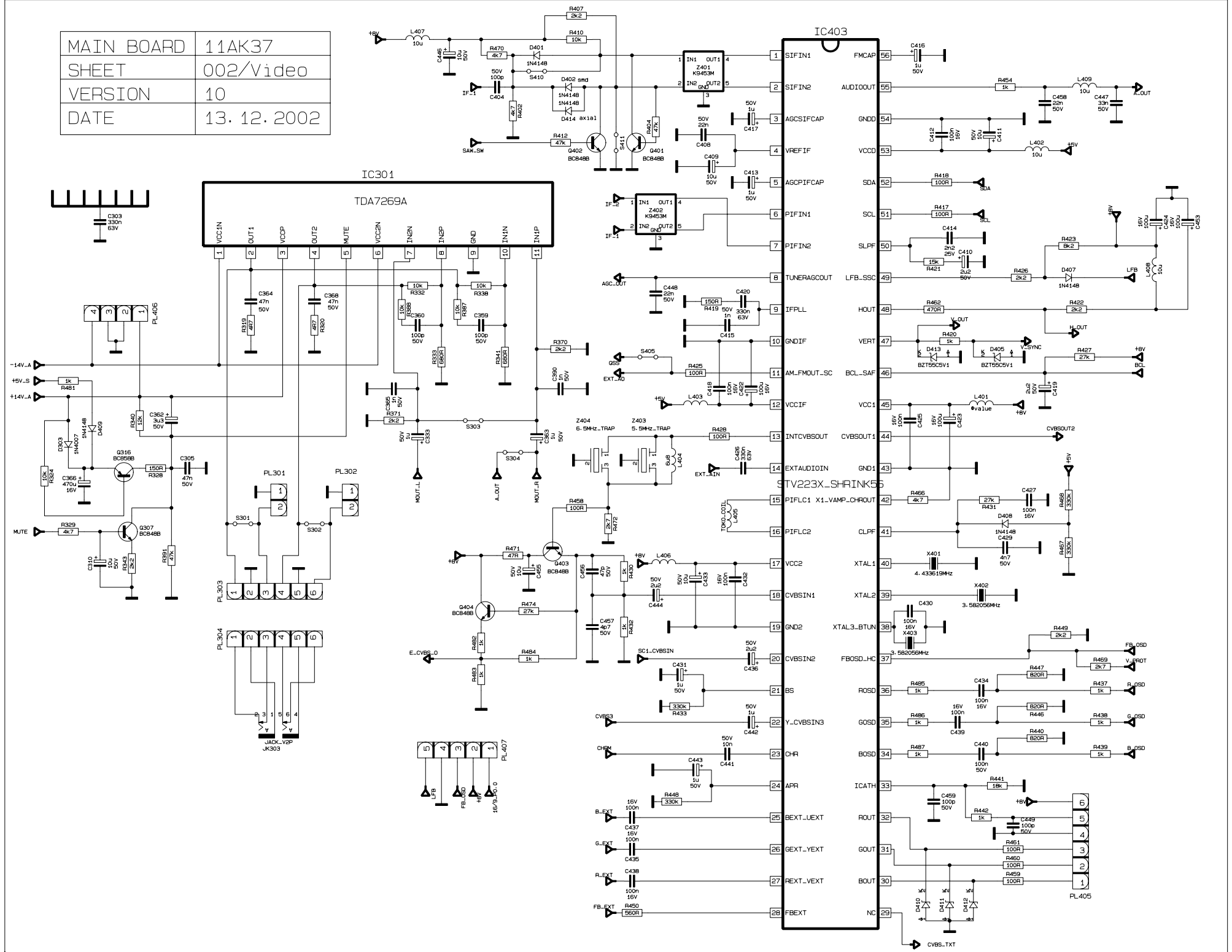


MAIN BOARD	11AK37
SHEET	007/Stereo
VERSION	10
DATE	13. 12. 2002

MAIN BOARD	11AK37
SHEET	003/Video
VERSION	10
DATE	13. 12. 2002



MAIN BOARD	11AK37
SHEET	002/Video
VERSION	10
DATE	13.12.2002



1

2

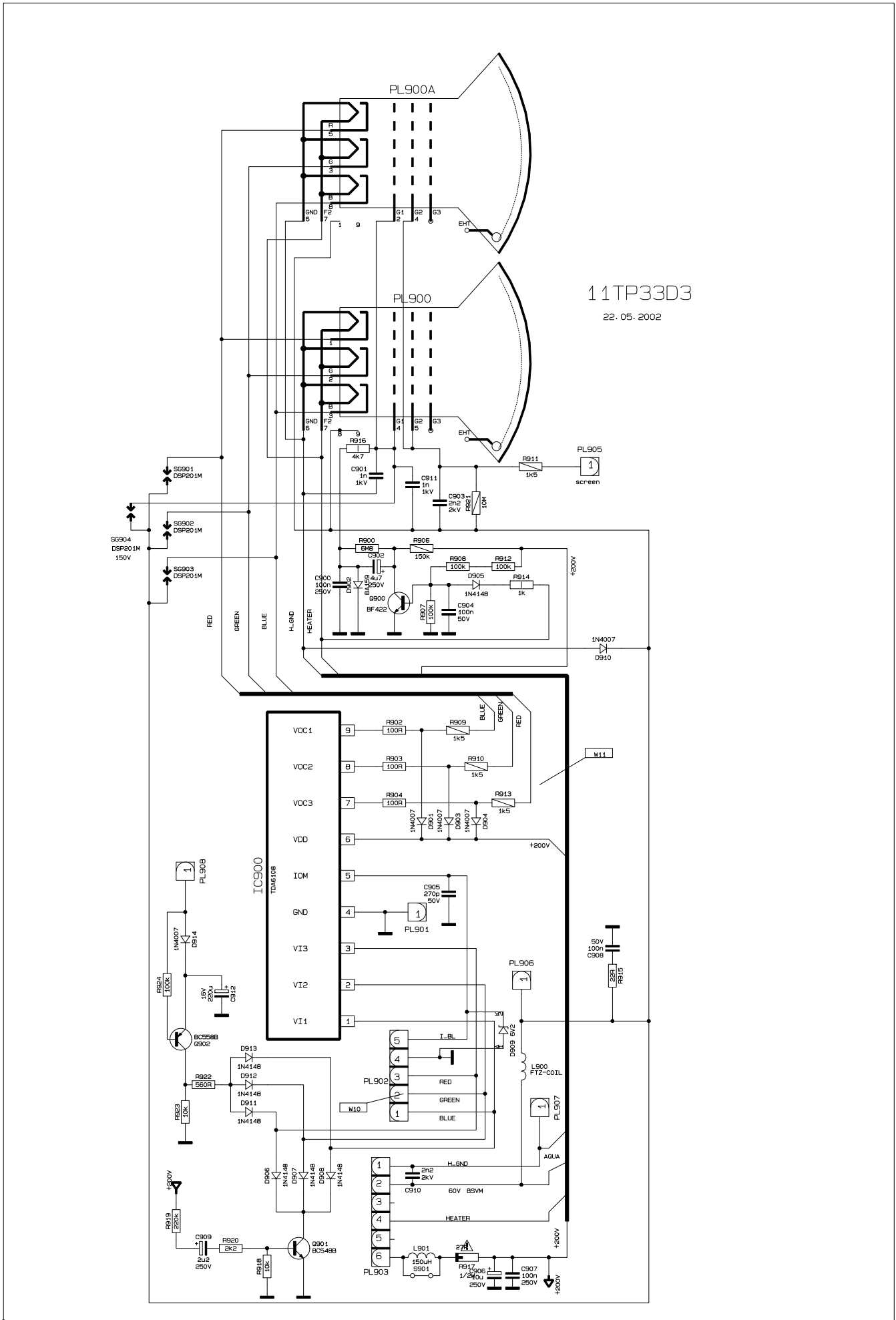
3

4

5

6

7



11TP33D3

22.05.2002