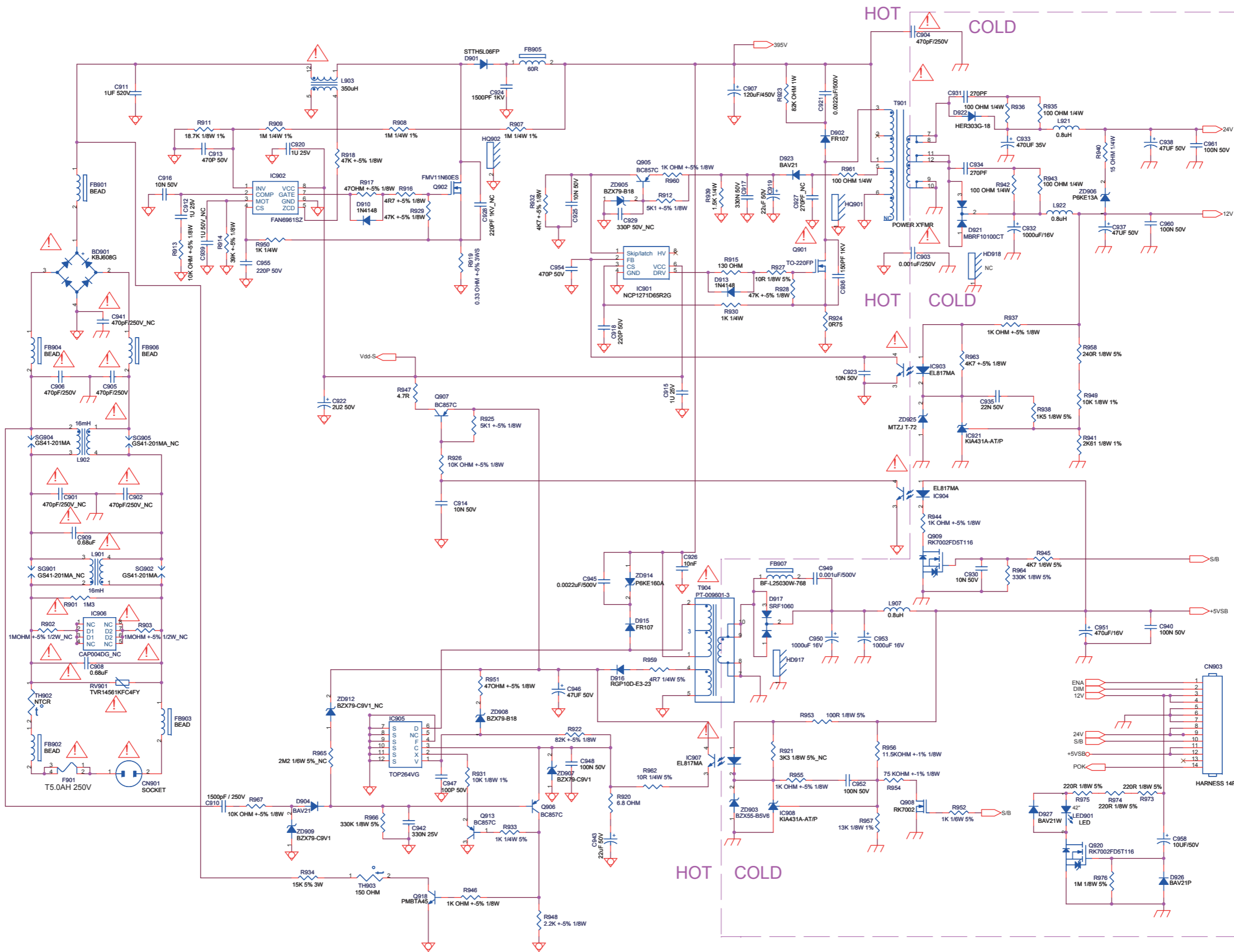


10-2 A01 715G4546 PSU 37", 42" and 47"
Power

A01

Power

A01



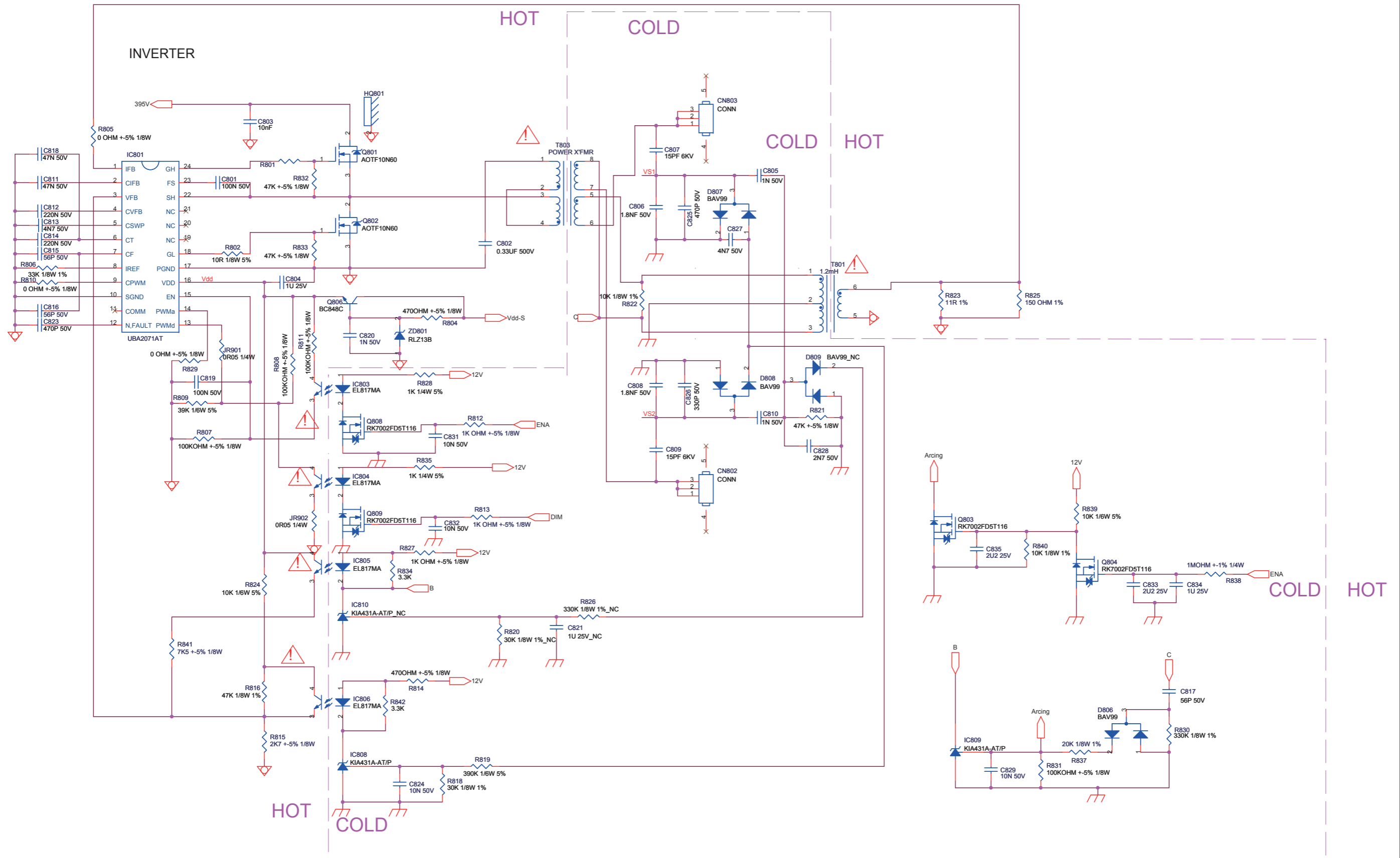
| | | | |
|-------|----------|---|------------|
| Power | 715G4546 | A | 2011-04-12 |
| | | | |
| | | | |

Inverter

A02

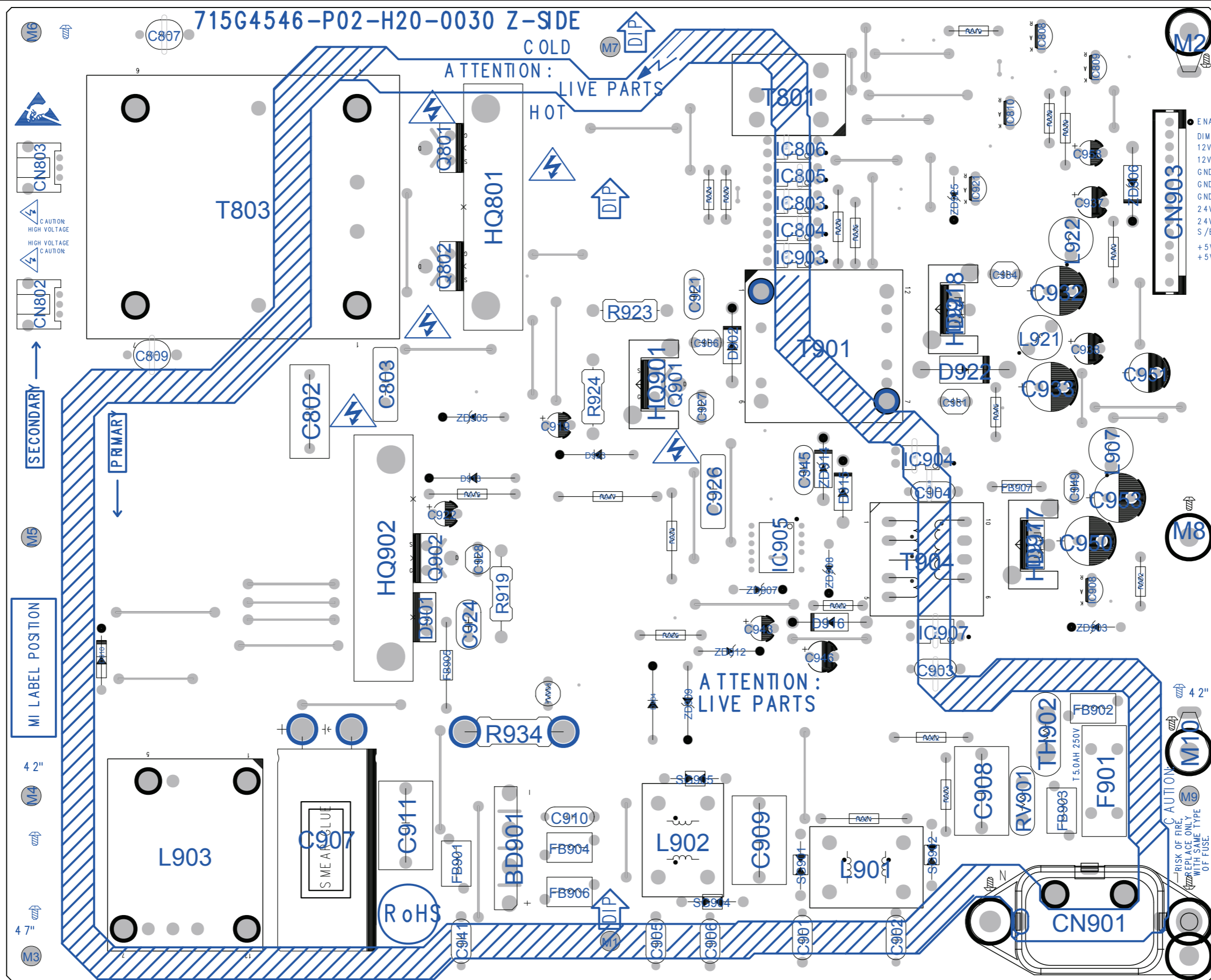
Inverter

A02



| | | | |
|----------|----------|---|------------|
| Inverter | 715G4546 | A | 2011.04.12 |
| | | | |
| | | | |

Power layout top

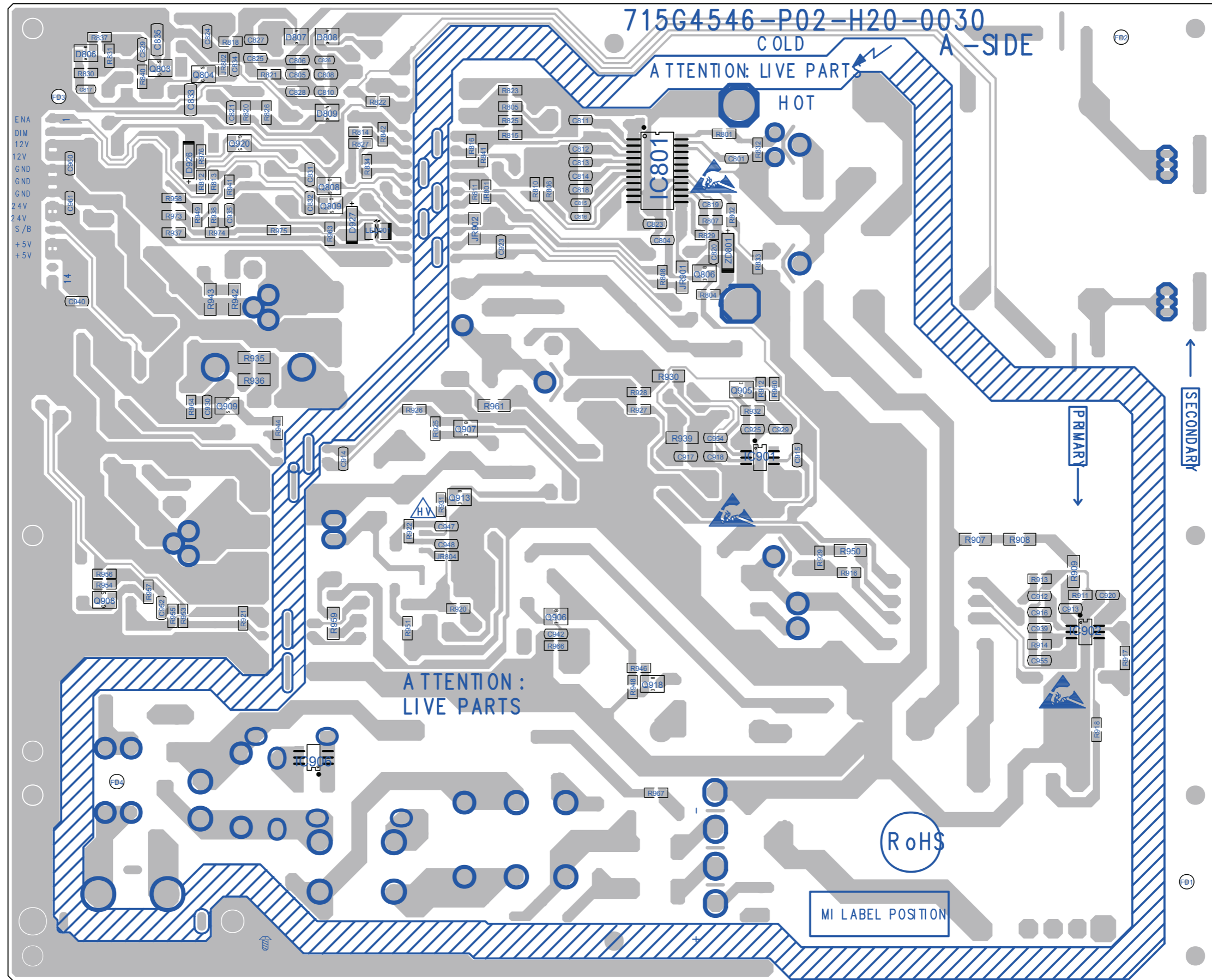


Power layout top

715G4546

2011-04-12

Power layout bottom



| | | | |
|---------------------|----------|---|------------|
| Power layout bottom | 715G4546 | A | 2011.04.12 |
| | | | |
| | | | |