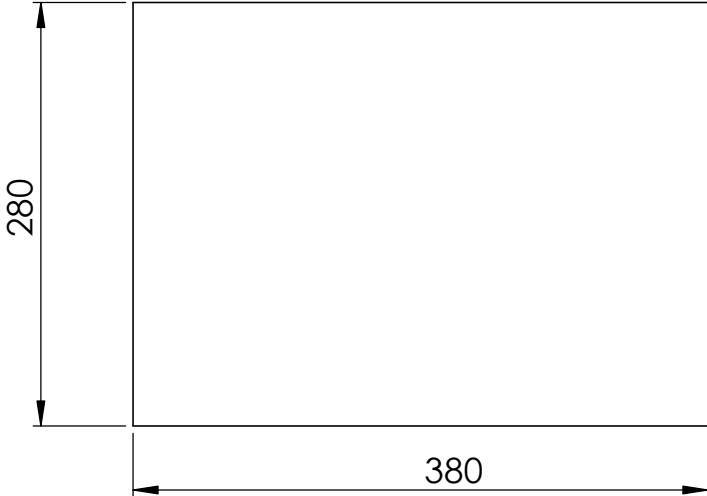


4 3 2 1

F

F

1.



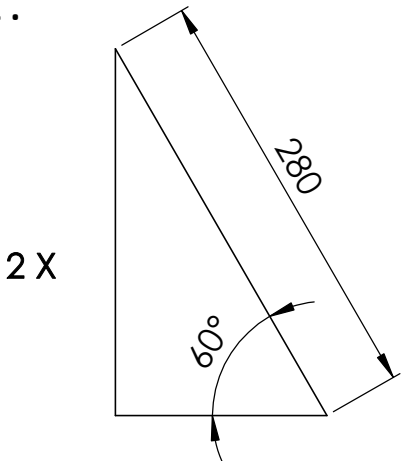
E

E

D

D

2.



3.



C

C

Debljina 10 mm (može i 18 mm ako nema 10)

B

B

UNLESS OTHERWISE SPECIFIED:
 DIMENSIONS ARE IN MILLIMETERS
 SURFACE FINISH:
 TOLERANCES:
 LINEAR:
 ANGULAR:

FINISH:

DEBURR AND
 BREAK SHARP
 EDGES

DO NOT SCALE DRAWING

REVISION

	NAME	SIGNATURE	DATE		
DRAWN					
CHK'D					
APPV'D					
MFG					
Q.A					

TITLE:

MATERIAL:

DWG NO.

crtež

A4

WEIGHT:

SCALE:1:5

SHEET 1 OF 1

4 3 2 1

A

A