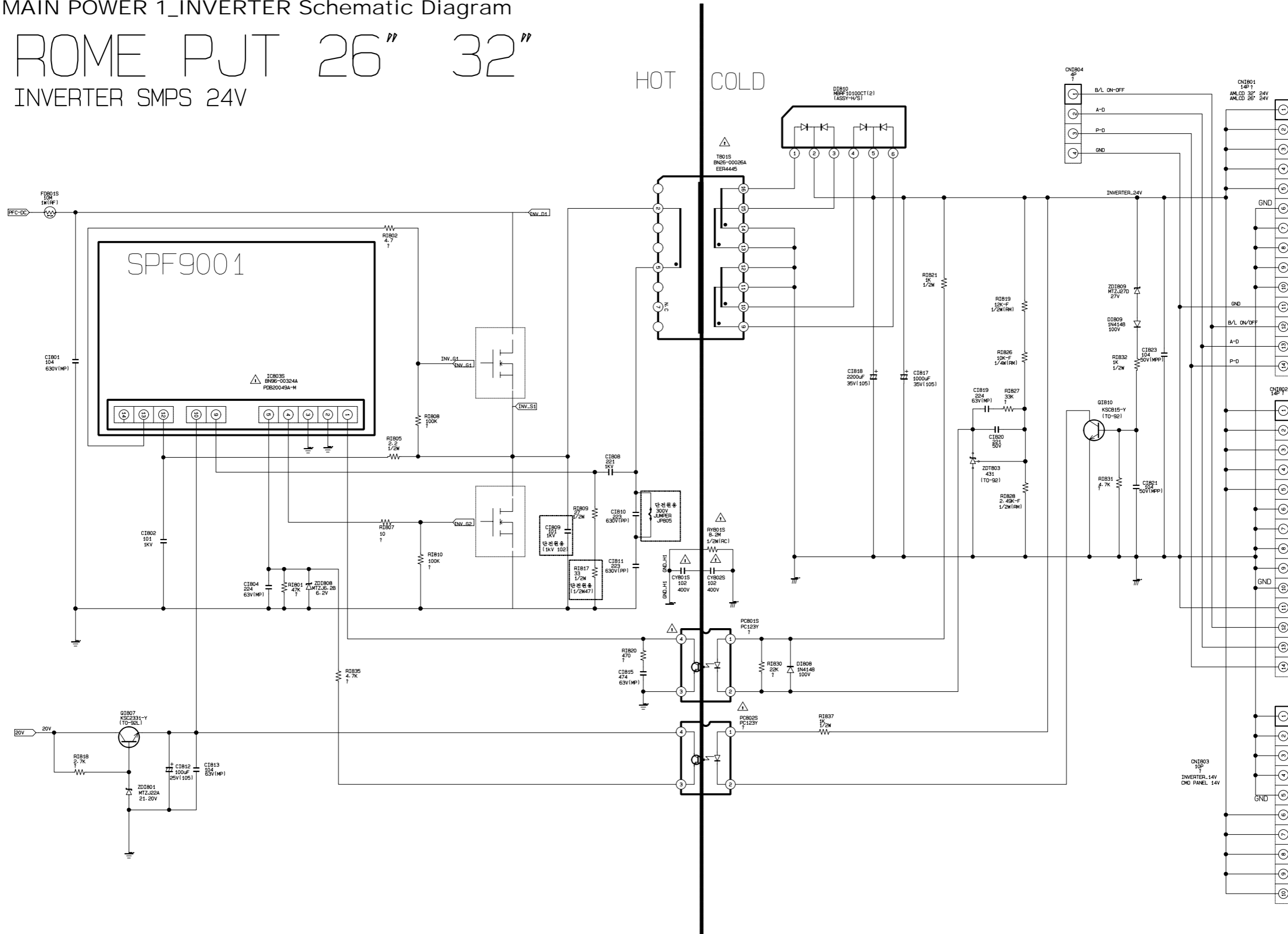


* This Document can not be used without Samsung's authorization.

11-5 MAIN POWER 1_INVERTER Schematic Diagram

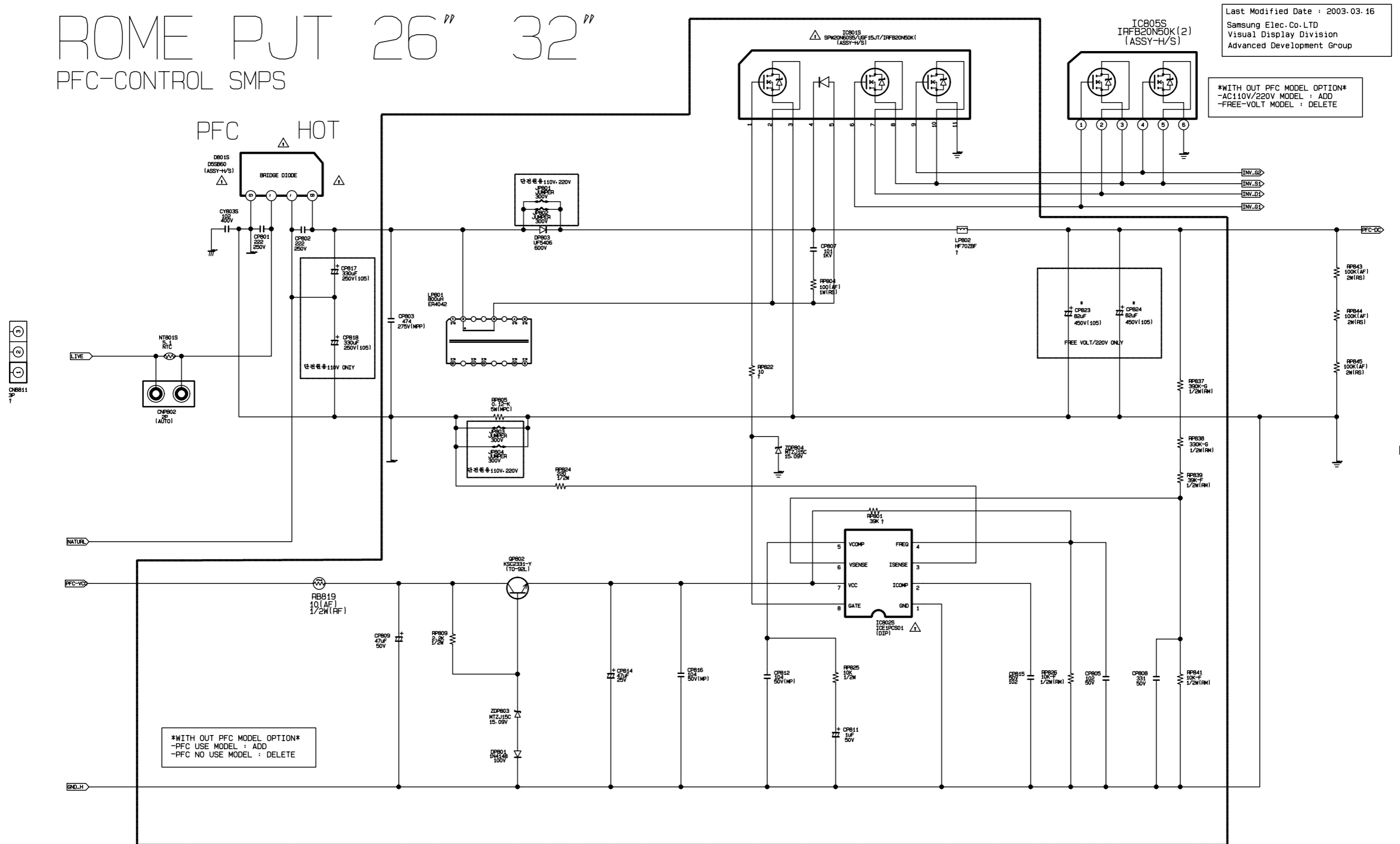
ROME PJT 26" 32"
INVERTER SMPS 24V



* This Document can not be used without Samsung's authorization.

11-6 MAIN POWER 2_PFC Schematic Diagram

ROME PJT 26 32
PFC-CONTROL SMPS

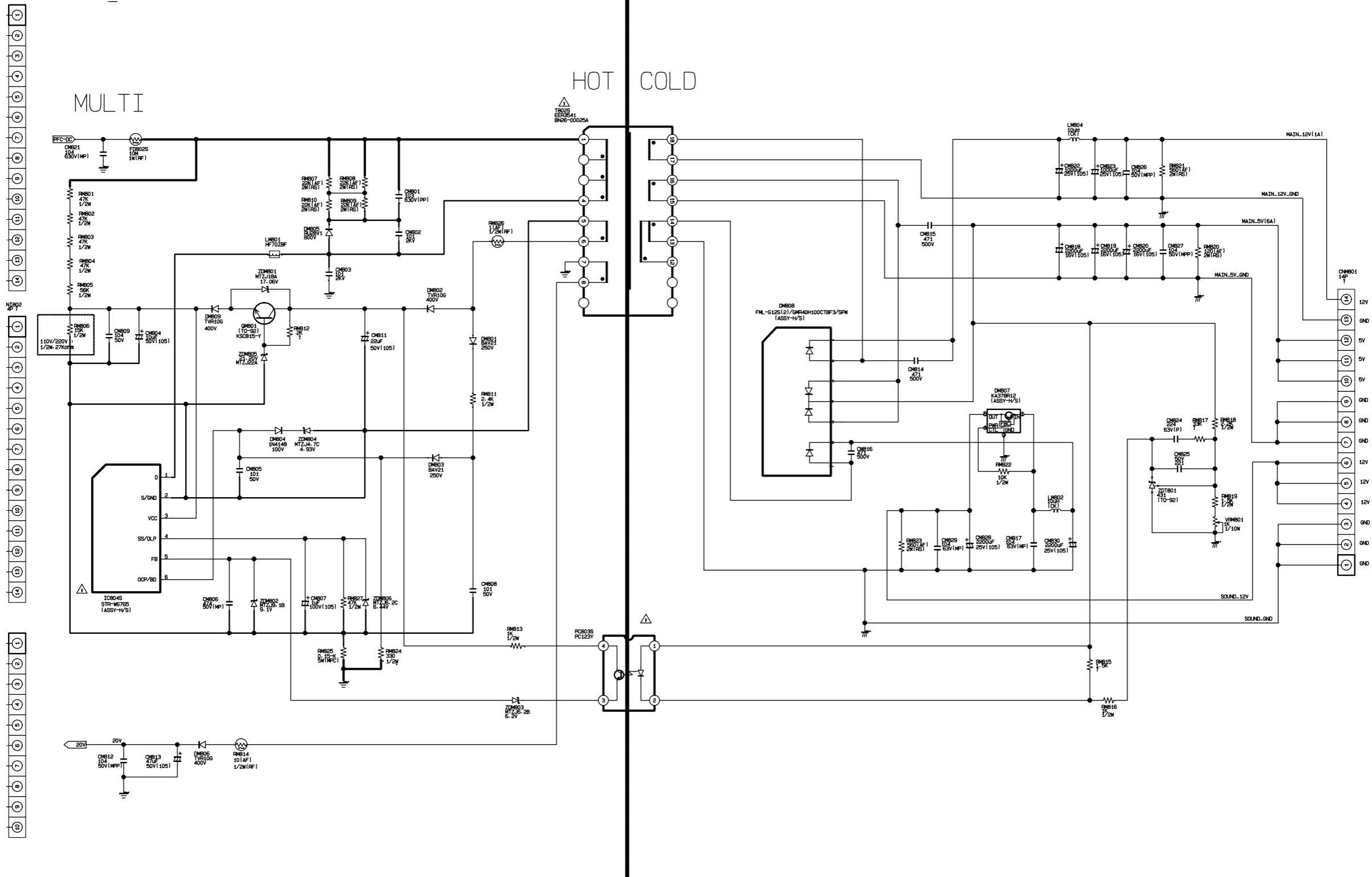


* This Document can not be used without Samsung's authorization.

11-7 MAIN POWER 3_MULTI Schematic Diagram

ROME PJT 26" 32"

MULTI-SMPS



* This Document can not be used without Samsung's authorization.

11-8 SUB POWER Schematic Diagram

ROME PJT 26" 32"
STAND-BY SMPS

