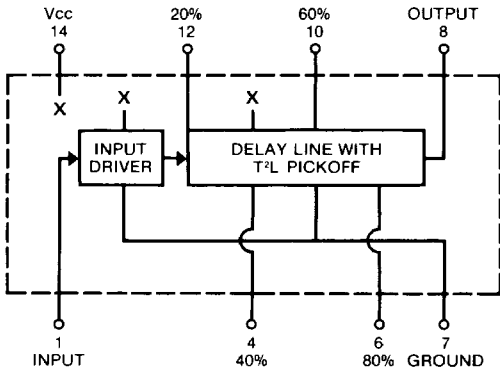


T²L COMPATIBLE Low Profile LOGIC DELAY MODULE (Schottky)

- T²L input and outputs
- Delays stable and precise
- 14-pin DIP package
- Available in delays from 25 to 1000ns
- 20% taps — each isolated and with 10 T²L fan-out capacity
- Rise time 4ns maximum
- Dimensions: .400 wide X .800 long X .250 high
- ICs (burned-in) to Level B of MIL-STD-883
- MTBF in excess of 3 million hours
- Operating temperature range of (0° to +70°C)

BLOCK DIAGRAM IS SHOWN BELOW

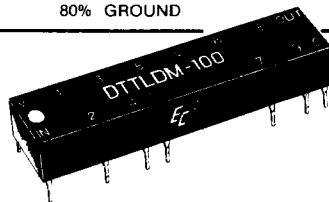


φ DELAYS AND TOLERANCES (in ns)					
PART NO.	Tap 1	Tap 2	Tap 3	Tap 4	OUTPUT
TTLDM-25	5 ±1	10 ±1	15 ±1	20 ±1	25 ±1
TTLDM-30	6 ±1	12 ±1	18 ±1	24 ±1	30 ±1
TTLDM-35✓	7 ±1	14 ±1	21 ±1	28 ±1.5	35 ±1.5
TTLDM-40	8 ±1	16 ±1	24 ±1.5	32 ±1.5	40 ±1.5
TTLDM-45	9 ±1	18 ±1	27 ±1.5	36 ±1.5	45 ±2
TTLDM-50	10 ±1	20 ±1	30 ±1.5	40 ±2	50 ±2
TTLDM-75	15 ±1	30 ±1.5	45 ±2	60 ±2.5	75 ±2.5
TTLDM-100	20 ±1	40 ±1.5	60 ±2	80 ±3	100 ±3
TTLDM-125	25 ±1	50 ±2	75 ±2.5	100 ±3	125 ±4
TTLDM-150	30 ±1.5	60 ±2	90 ±3	120 ±4	150 ±5
TTLDM-175	35 ±1.5	70 ±2.5	105 ±4	140 ±5	175 ±5
TTLDM-200	40 ±1.5	80 ±2.5	120 ±4	160 ±5	200 ±6
TTLDM-225	45 ±2	90 ±3	135 ±4	180 ±6	225 ±7
TTLDM-250✓	50 ±2	100 ±3	150 ±4.5	200 ±6	250 ±8
TTLDM-300	60 ±2	120 ±4	180 ±5	240 ±7	300 ±9
TTLDM-350	70 ±2	140 ±4.5	210 ±7	280 ±9	350 ±11
TTLDM-400	80 ±3	160 ±5	240 ±7	320 ±10	400 ±12
TTLDM-450	90 ±3	180 ±6	270 ±8	360 ±11	450 ±14
TTLDM-500	100 ±3	200 ±6	300 ±9	400 ±12	500 ±15
TTLDM-600	120 ±4	240 ±7	360 ±11	480 ±15	600 ±18
TTLDM-700	140 ±4	280 ±9	420 ±13	560 ±17	700 ±20
TTLDM-800	160 ±5	320 ±10	480 ±15	640 ±19	800 ±20
TTLDM-900	180 ±6	360 ±11	520 ±16	720 ±20	900 ±22
TTLDM-1000	200 ±6	400 ±12	600 ±18	800 ±20	1000 ±22

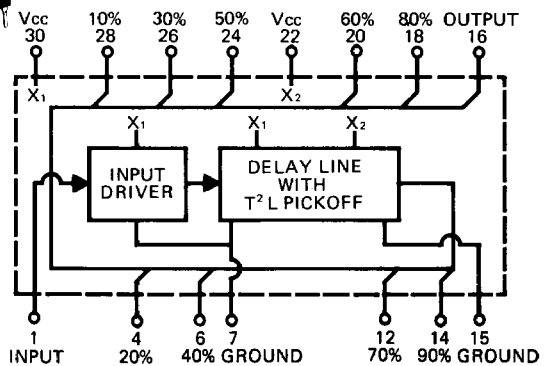
Above data from Catalog No. C/91579

T²L COMPATIBLE Low Profile DOUBLE LOGIC DELAY MODULE (Schottky)

- T²L input and outputs
- Delays stable and precise
- 30-pin DIP package
- Available in delays from 50ns to 1000ns
- 10% taps — each isolated and with 10 T²L fan-out capacity
- Fast rise time on all outputs
- Dimensions: .400 wide X 1.600 long X .250 high
- ICs burned-in to Level B of MIL-STD-883
- MTBF in excess of 1.5 million hours
- Operating temperature range of 0° to +70°C



BLOCK DIAGRAM IS SHOWN BELOW



φ DELAYS AND TOLERANCES (in ns)										
Part Number	Tap 1	Tap 2	Tap 3	Tap 4	Tap 5	Tap 6	Tap 7	Tap 8	Tap 9	Output
DTTLDM-50	5 ±1	10 ±1	15 ±1	20 ±1	25 ±1.5	30 ±1.5	35 ±1.5	40 ±2	45 ±2	50 ±2
DTTLDM-60	6 ±1	12 ±1	18 ±1	24 ±1.5	30 ±1.5	36 ±1.5	42 ±2	48 ±2	54 ±2	60 ±2.5
DTTLDM-70	7 ±1	14 ±1	21 ±1	28 ±1.5	35 ±1.5	42 ±2	49 ±2	56 ±2	63 ±2.5	70 ±2.5
DTTLDM-80	8 ±1	16 ±1	24 ±1.5	32 ±1.5	40 ±2	48 ±2	56 ±2	64 ±2.5	72 ±2.5	80 ±3
DTTLDM-90	9 ±1	18 ±1	27 ±1.5	36 ±1.5	45 ±2	54 ±2	63 ±2.5	72 ±2.5	81 ±3	90 ±3
DTTLDM-100	10 ±1	20 ±1	30 ±1.5	40 ±2	50 ±2	60 ±2.5	70 ±2.5	80 ±3	90 ±3	100 ±3
DTTLDM-150	15 ±1	30 ±1.5	45 ±2	60 ±2.5	75 ±2.5	90 ±3	105 ±4	120 ±4	135 ±4	150 ±5
DTTLDM-200	20 ±1	40 ±2	60 ±2.5	80 ±3	100 ±3	120 ±4	140 ±5	160 ±5	180 ±6	200 ±6
DTTLDM-250	25 ±1.5	50 ±2	75 ±2.5	100 ±3	125 ±4	150 ±5	175 ±5	200 ±6	225 ±7	250 ±8
DTTLDM-300	30 ±1.5	60 ±2.5	90 ±3	120 ±4	150 ±5	180 ±6	210 ±7	240 ±7	270 ±8	300 ±9
DTTLDM-350	35 ±1.5	75 ±2.5	105 ±4	140 ±5	175 ±5	210 ±7	245 ±8	280 ±9	315 ±10	350 ±11
DTTLDM-400	40 ±2	80 ±3	120 ±4	160 ±5	200 ±6	240 ±7	280 ±9	320 ±10	360 ±11	400 ±12
DTTLDM-450	45 ±2	90 ±3	135 ±4	180 ±6	225 ±7	270 ±8	315 ±10	360 ±11	405 ±12	450 ±14
DTTLDM-500	50 ±2	100 ±3	150 ±5	200 ±6	250 ±8	300 ±9	350 ±11	400 ±12	450 ±14	500 ±15
DTTLDM-600	60 ±2.5	120 ±4	180 ±5	240 ±7	300 ±9	360 ±11	420 ±13	480 ±15	540 ±16	600 ±18
DTTLDM-700	70 ±2.5	140 ±5	210 ±7	280 ±9	350 ±11	420 ±13	490 ±15	560 ±17	630 ±19	700 ±20
DTTLDM-800	80 ±3	160 ±5	240 ±7	320 ±10	400 ±12	480 ±15	560 ±17	640 ±19	720 ±20	800 ±20
DTTLDM-900	90 ±3	180 ±6	270 ±8	360 ±11	450 ±14	540 ±16	630 ±19	720 ±20	810 ±20	900 ±22
DTTLDM-1000	100 ±3	200 ±6	300 ±9	400 ±12	500 ±15	600 ±18	700 ±20	800 ±20	900 ±22	1000 ±22

Above data from Catalog No. C/010380