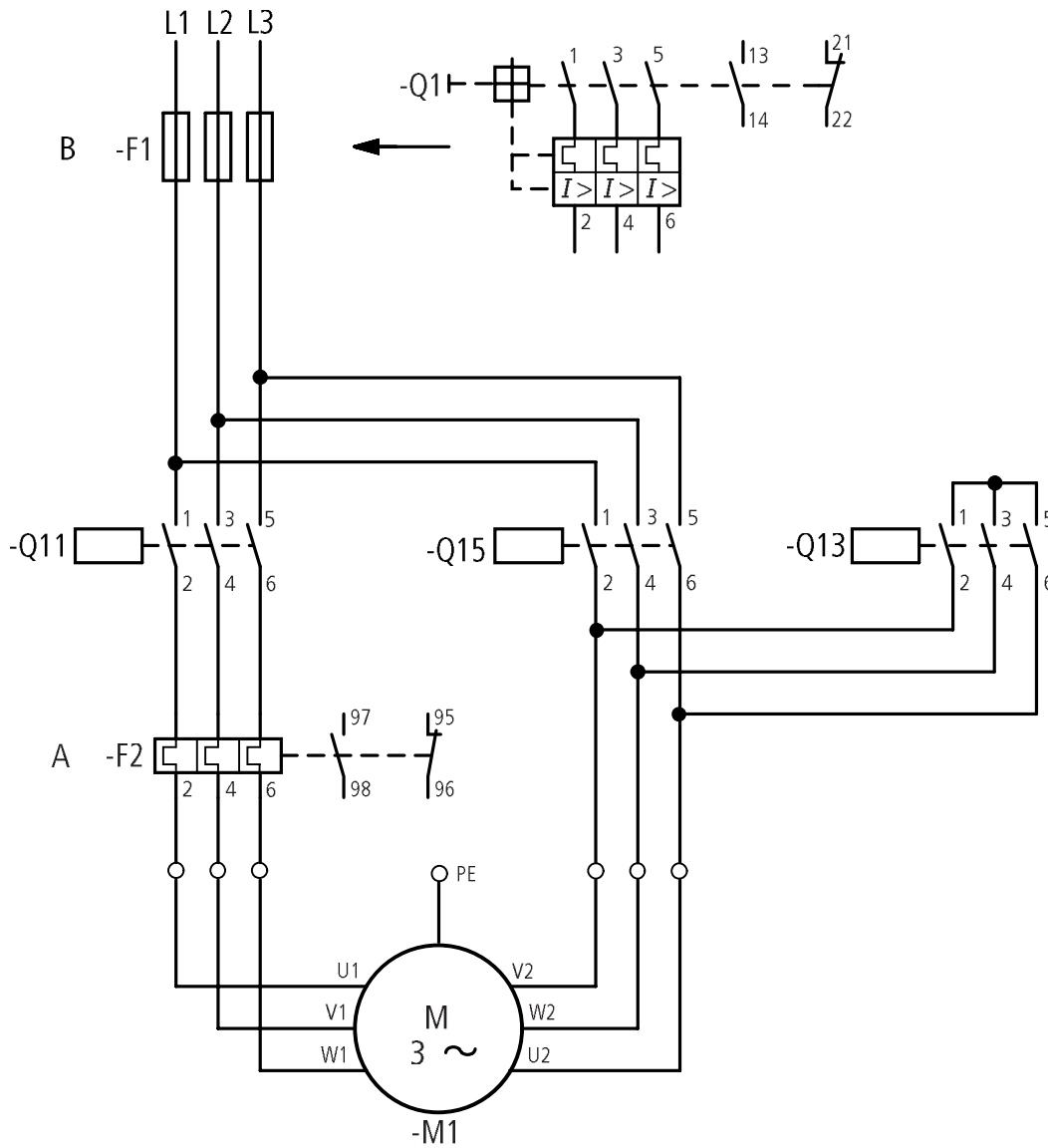


All about Motors

Star-delta switching of three-phase motors

Automatic star-delta switches SDAINL



8

Arrangement and rating of protective devices

Position A	Position B
$F2 = 0.58 \times I_e$ with F1 in position B $t_a \leq 15$ s	$Q1 = I_e$ $t_a > 15 - 40$ s
Motor protection in Υ - and Δ -configuration	Only partial motor protection in Υ -configuration

Rating of switchgear

$Q11, Q15 = 0.58 \times I_e$

$Q13 = 0.33 \times I_e$