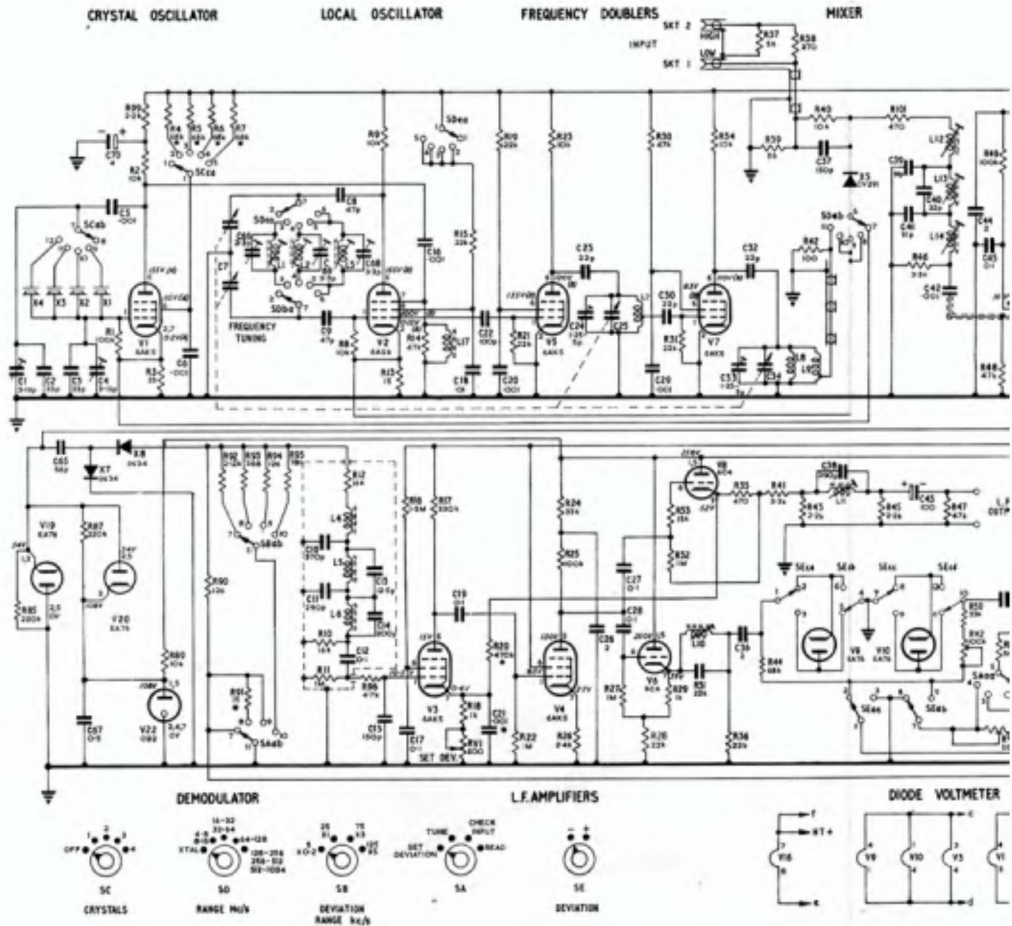


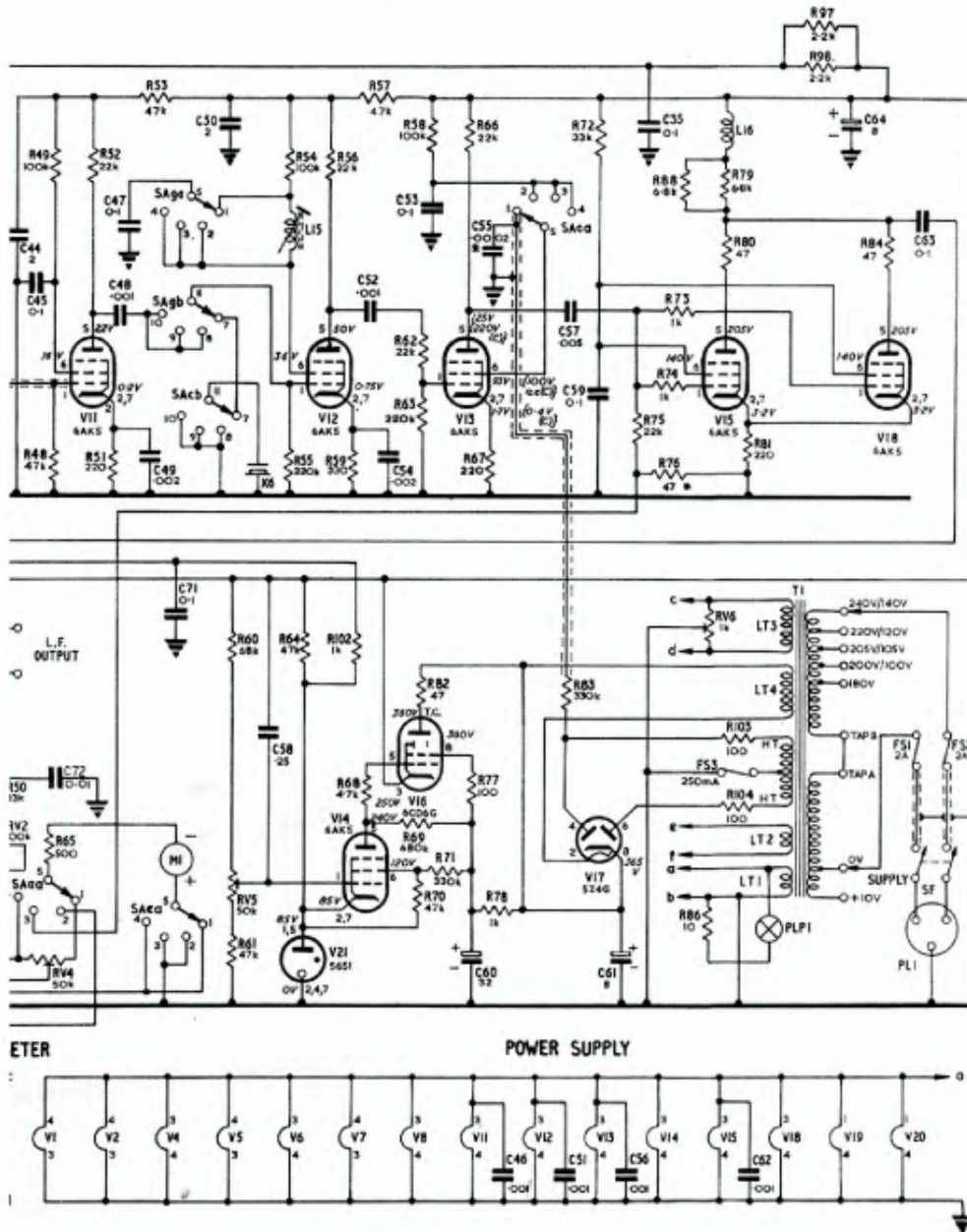
# 8 - Circuit Diagram



**NOTES**

- COMPONENT VALUES**  
**Resistors:** No suffix = ohms, k = kilohms, M = megohms.  
**Capacitors:** No suffix = microfarads, p = picofarads.  
 \* Value selected during factory setting; nominal value shown.  
**VOLTAGES**  
 These are relative to chassis and, except where bracketed letters follow, are with:  
 RANGE switch at 4 to 8/8 to 16 Mc/s  
 Tuning dial at 672 Mc/s  
 DEVIATION RANGE switch at 125 kc/s  
 Selector switch at CHECK INPUT  
 Letters after voltages indicate the following different settings:  
 (A) = RANGE switch at XTAL, 5-Mc/s crystal selected by CRYSTALS switch, V1 screen led via 88 kΩ.  
 (B) = CRYSTALS switch at OFF.  
 (C) = Selector switch at SET DEVIATION.

CIRCUIT



JIT DIAGRAM

Fig. 8.1