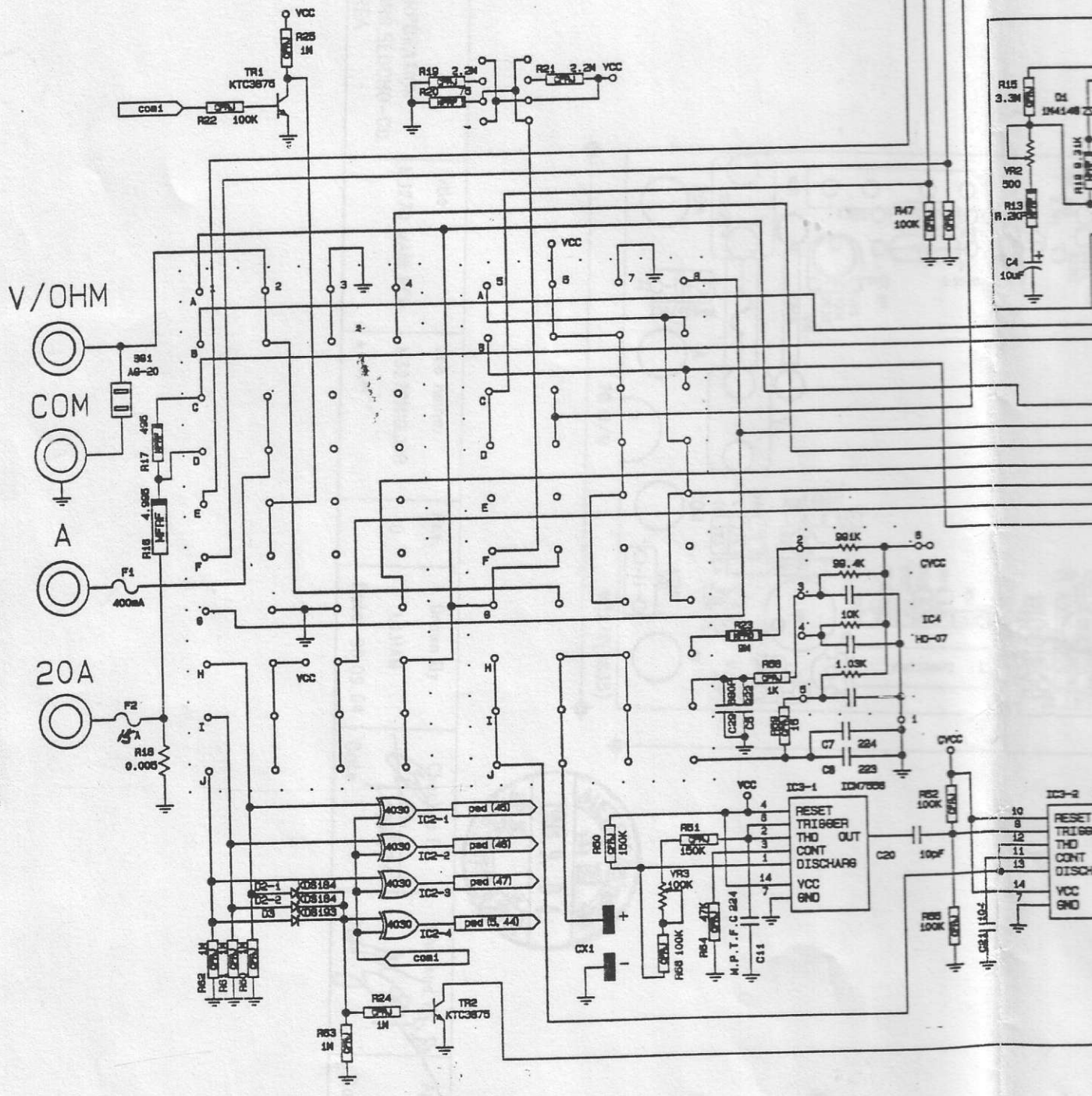


1	2	3	4	5	6	7	8	9	10	11	12	13	14	15	16	17	18	19	20	21	22	23	24	25
TEMP			hFE	CAP	COM1			-	X3	X4	X5	X6	X10	X15	X16	X24	X22	X27	AC	DI	DI	DI	DI	DI
					COM2			X9	X2	X5	X8	X11	X14	X17	X20	X23	X26	DI						
	FREQ						COM3	+	X1	X6	X7	X12	X13	X18	X19	X24	X25	DC						
26	27	28	29	30	31	32	33	34	35	36	37	38	39	40	41	42	43	44	45	46	47	48	49	50
P2	P5	X29	O1	P4	P4	X30	DO	BX	K (S)	M (Q)	OHM	A (X)	X31	COM1			A (W)	F	P	n	u (Y)	"	"	"
DI		E1	B1	C1		EO	BO	CO	M (S)	K (D)	V	W (M)	X32	COM2										
R1	F1	A1	B1		PO	AO	BO	W (C)	HZ	R (V)	U (V)	X33		COM3										

- VOLT
- OHM
- 3.2 mA
- 320 mA
- 20 A
- hFE
- FREQ
- CAP
3.2 nF
- CAP
320 nF
- CAP
32 uF



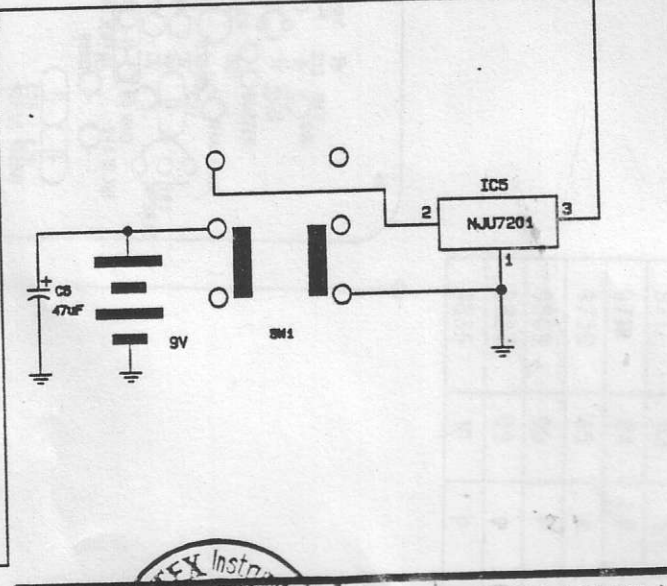
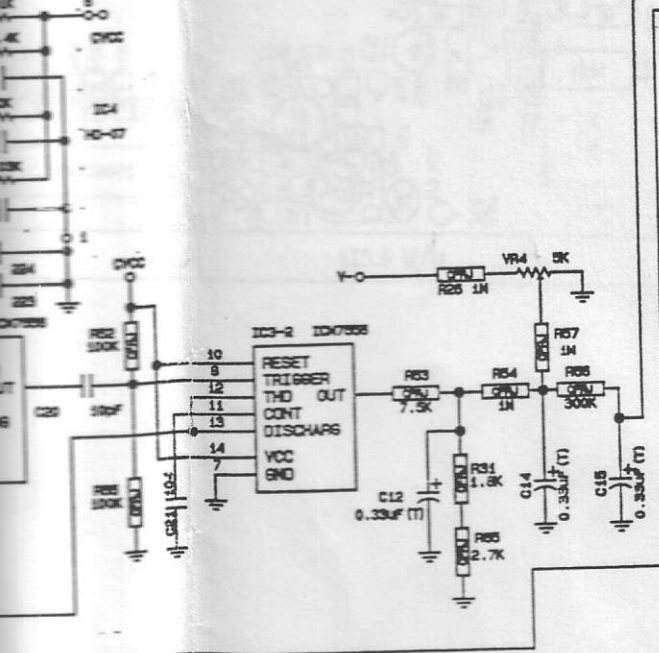
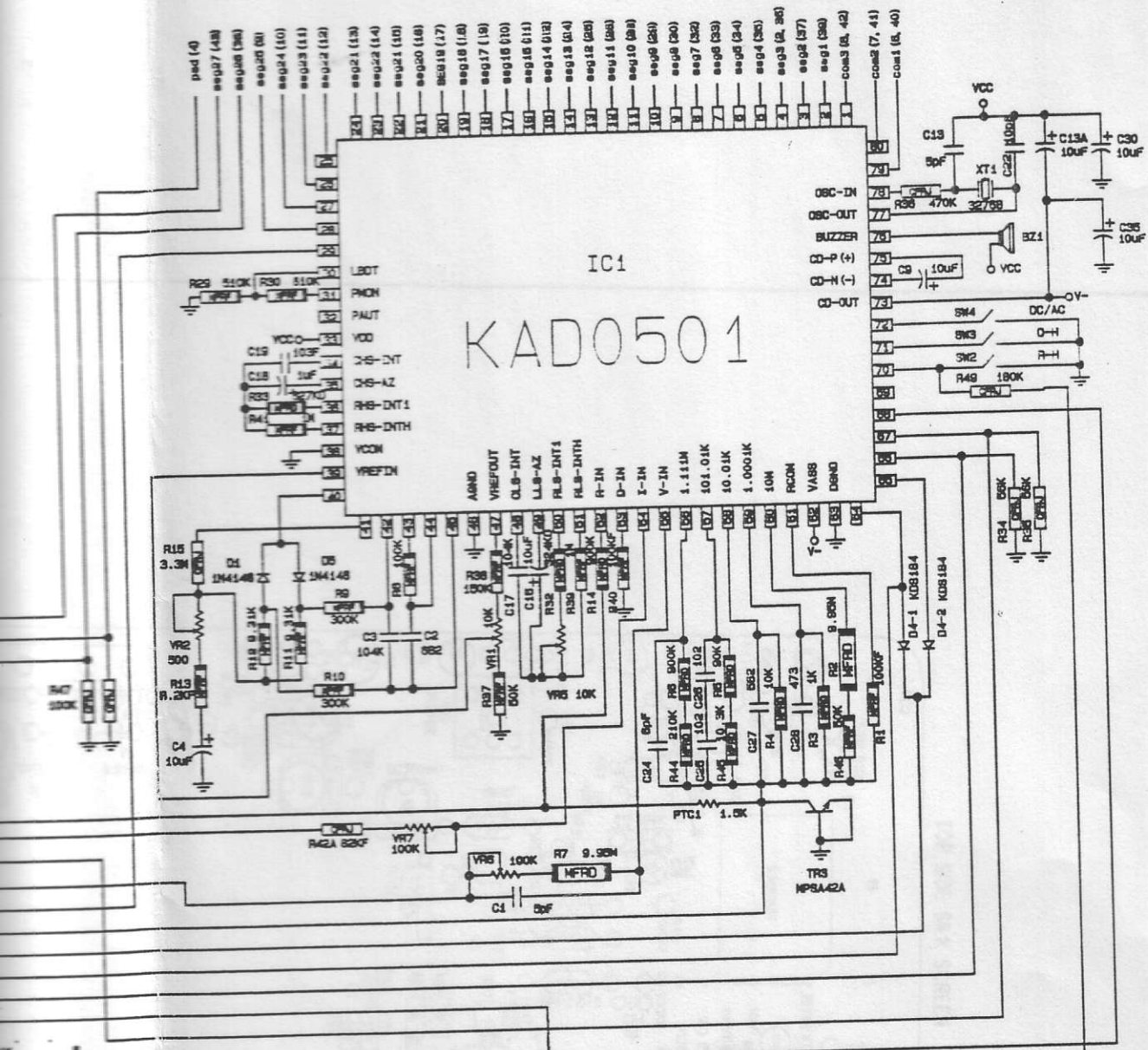
ped (4)
seg27 (48)
seg28 (36)
seg29 (6)

R28 510K
R29 510K
R30 510K
R31 510K
R32 510K
R33 510K
R34 510K
R35 510K
R36 510K
R37 510K
R38 510K
R39 510K
R40 510K
R41 510K
R42 510K
R43 510K
R44 510K
R45 510K
R46 510K
R47 510K
R48 510K
R49 510K
R50 510K
R51 510K
R52 510K
R53 510K
R54 510K
R55 510K
R56 510K
R57 510K
R58 510K
R59 510K
R60 510K
R61 510K
R62 510K
R63 510K
R64 510K
R65 510K
R66 510K
R67 510K
R68 510K
R69 510K
R70 510K
R71 510K
R72 510K
R73 510K
R74 510K
R75 510K
R76 510K
R77 510K
R78 510K
R79 510K
R80 510K
R81 510K
R82 510K
R83 510K
R84 510K
R85 510K
R86 510K
R87 510K
R88 510K
R89 510K
R90 510K
R91 510K
R92 510K
R93 510K
R94 510K
R95 510K
R96 510K
R97 510K
R98 510K
R99 510K
R100 510K

R15 3.3K
R16 3.3K
R17 4.7K
R18 0.005
R19 2.2M
R20 2.2M
R21 2.2M
R22 100K
R23 100K
R24 1M
R25 1M
R26 1M
R27 1M
R28 510K
R29 510K
R30 510K
R31 510K
R32 510K
R33 510K
R34 510K
R35 510K
R36 510K
R37 510K
R38 510K
R39 510K
R40 510K
R41 510K
R42 510K
R43 510K
R44 510K
R45 510K
R46 510K
R47 510K
R48 510K
R49 510K
R50 510K
R51 510K
R52 510K
R53 510K
R54 510K
R55 510K
R56 510K
R57 510K
R58 510K
R59 510K
R60 510K
R61 510K
R62 510K
R63 510K
R64 510K
R65 510K
R66 510K
R67 510K
R68 510K
R69 510K
R70 510K
R71 510K
R72 510K
R73 510K
R74 510K
R75 510K
R76 510K
R77 510K
R78 510K
R79 510K
R80 510K
R81 510K
R82 510K
R83 510K
R84 510K
R85 510K
R86 510K
R87 510K
R88 510K
R89 510K
R90 510K
R91 510K
R92 510K
R93 510K
R94 510K
R95 510K
R96 510K
R97 510K
R98 510K
R99 510K
R100 510K

C1 10uF
C2 10pF
C3 10pF
C4 10uF
C5 10pF
C6 10pF
C7 224
C8 223
C9 10pF
C10 10pF
C11 10pF
C12 10pF
C13 10pF
C14 10pF
C15 10pF
C16 10pF
C17 10pF
C18 10pF
C19 10pF
C20 10pF
C21 10pF
C22 10pF
C23 10pF
C24 10pF
C25 10pF
C26 10pF
C27 10pF
C28 10pF
C29 10pF
C30 10pF
C31 10pF
C32 10pF
C33 10pF
C34 10pF
C35 10pF
C36 10pF
C37 10pF
C38 10pF
C39 10pF
C40 10pF
C41 10pF
C42 10pF
C43 10pF
C44 10pF
C45 10pF
C46 10pF
C47 10pF
C48 10pF
C49 10pF
C50 10pF

IC1-1 4030
IC1-2 4030
IC1-3 4030
IC1-4 4030
IC2-1 4030
IC2-2 4030
IC2-3 4030
IC2-4 4030
IC3-1 10M7088
IC3-2 10M7088
IC4 HO-07
IC5 10M7088
TR1 KTC3876
TR2 KTC3876
F1 400mA
F2 15A
F3 15A
F4 15A
F5 15A
F6 15A
F7 15A
F8 15A
F9 15A
F10 15A
F11 15A
F12 15A
F13 15A
F14 15A
F15 15A
F16 15A
F17 15A
F18 15A
F19 15A
F20 15A
F21 15A
F22 15A
F23 15A
F24 15A
F25 15A
F26 15A
F27 15A
F28 15A
F29 15A
F30 15A
F31 15A
F32 15A
F33 15A
F34 15A
F35 15A
F36 15A
F37 15A
F38 15A
F39 15A
F40 15A
F41 15A
F42 15A
F43 15A
F44 15A
F45 15A
F46 15A
F47 15A
F48 15A
F49 15A
F50 15A



REMARKS	METEX INSTRUMENTS				
	1998.9.04.				
	METEX INSTRUMENTS				
TITLE	M-3270 (9V USE) SCHEMATIC DIAGRAM				
DRAWN	DESIGNED	CHECKED	APPROVED	DATE	1998.
I. J. HAM	W. K. KIM			DWG_NO	5TH
METEX INSTRUMENTS			MODEL	M-3270 (9V)	