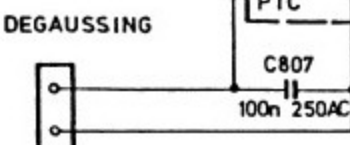
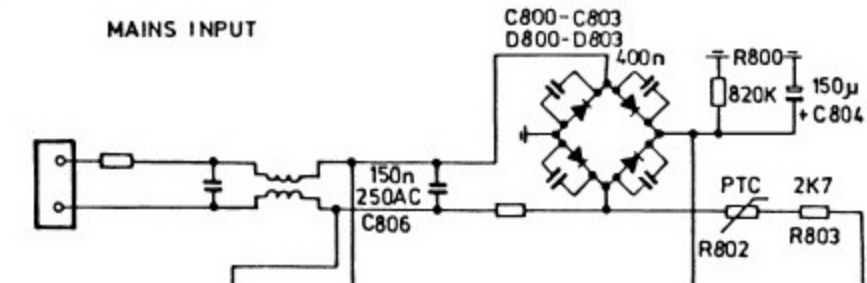


| | PAL 1 | PAL BG |
|-------|-----------------|---------------------|
| Z 100 | SY 150 UHF | SY 177 UHF/VHF |
| Z 101 | SFE 60MB UHF | SFE 55MB UHF/VHF |
| C 125 | 120 PJ 50V | 150 PJ 50V |
| C 110 | 39PK 50V | 38 PK 50V |
| ET 1 | 1604UEC | 1600 KKC |

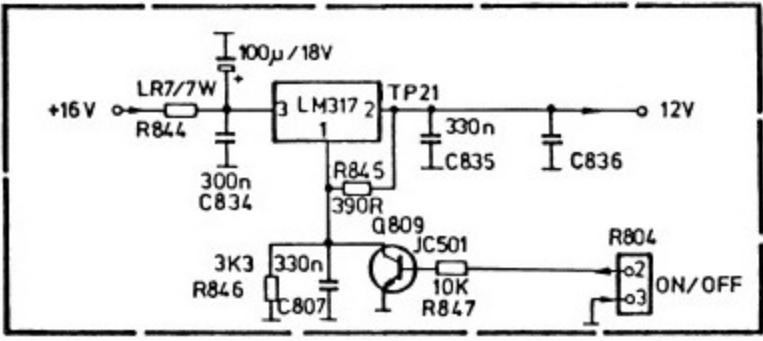
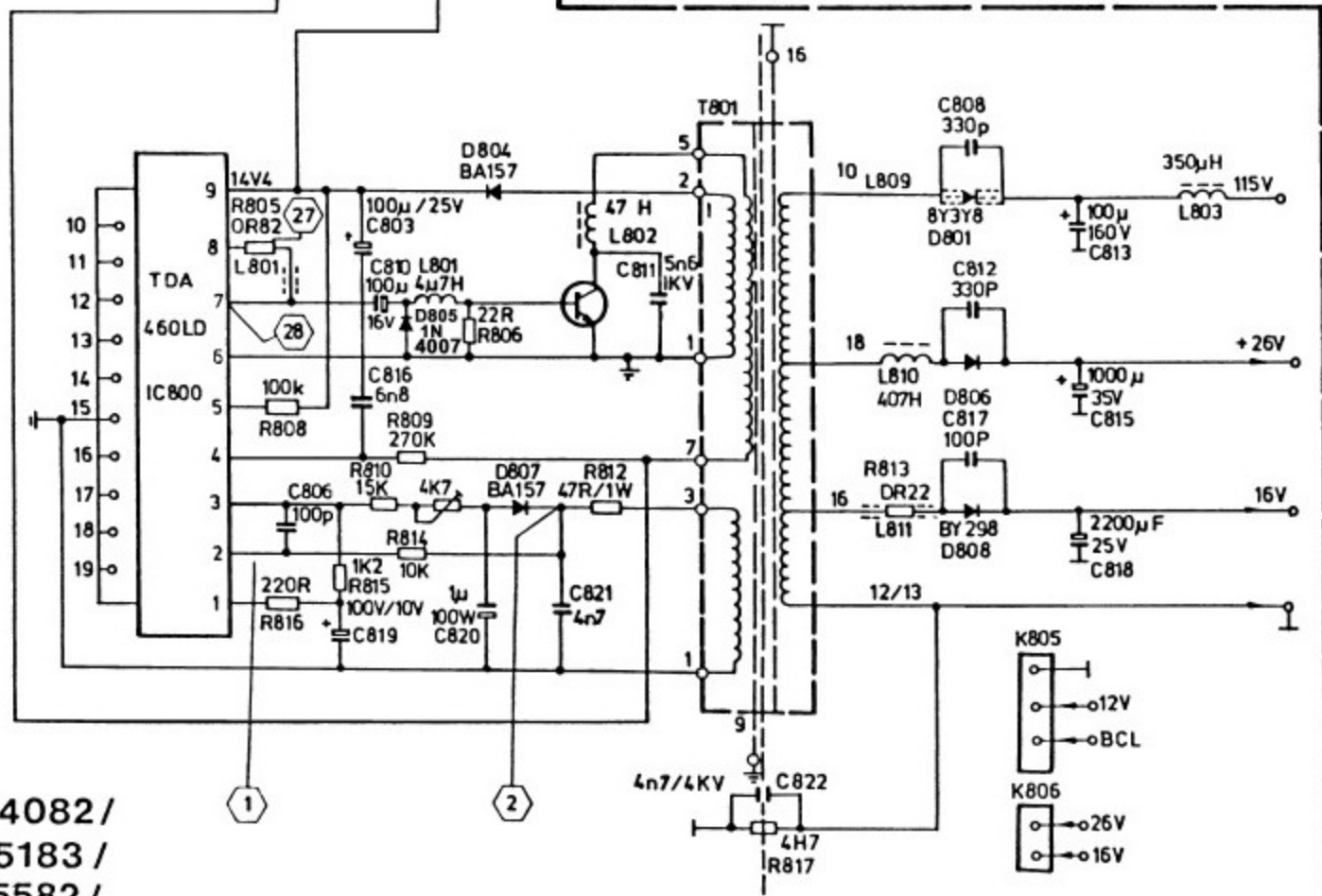


POWER SUPPLY

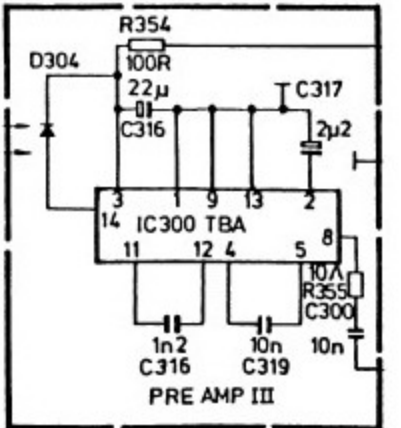
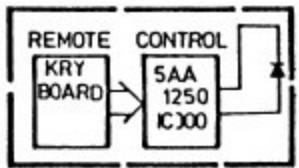
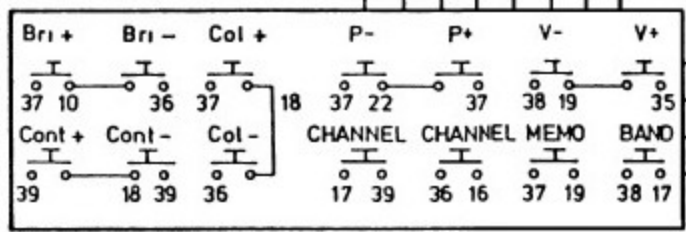
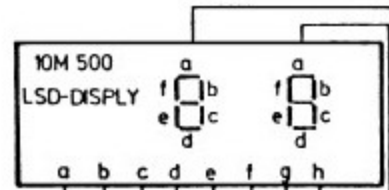


TEC
Modeli:

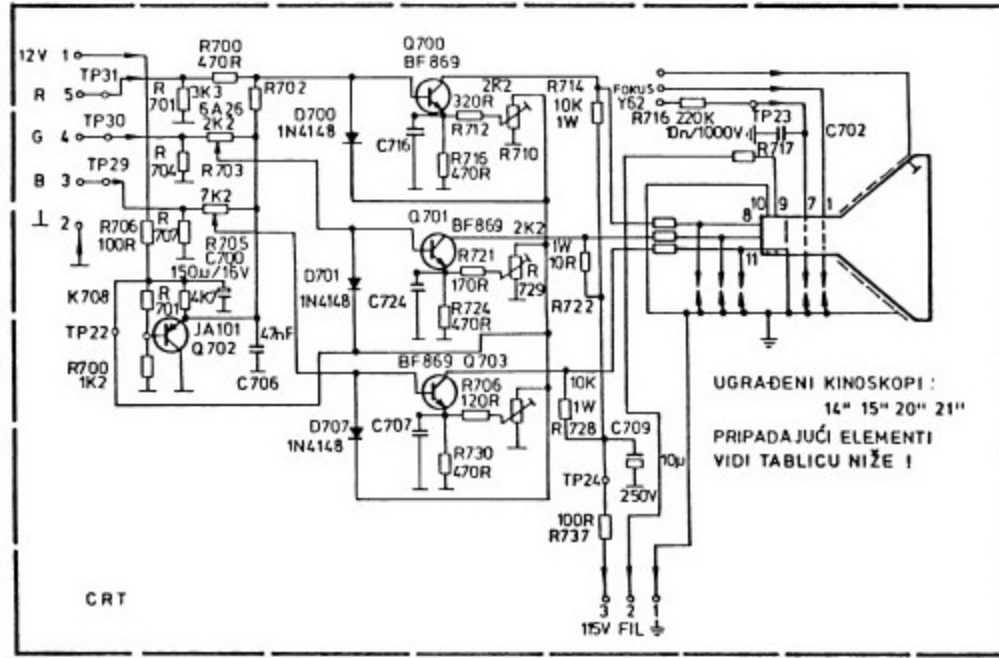
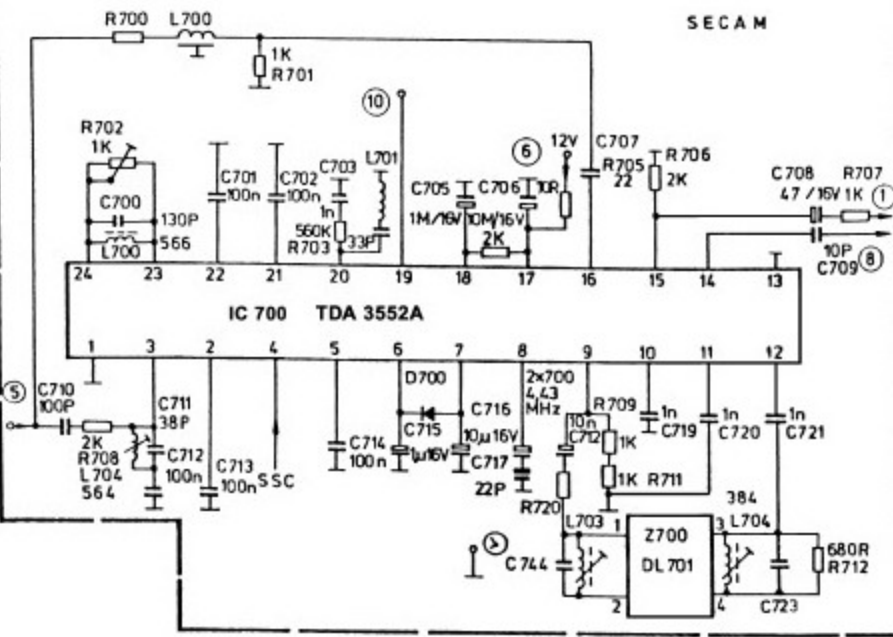
3781/3782/4081/4082/
5180/5181/5182/5183/
5184/5580/5581/5582/
5591/5592



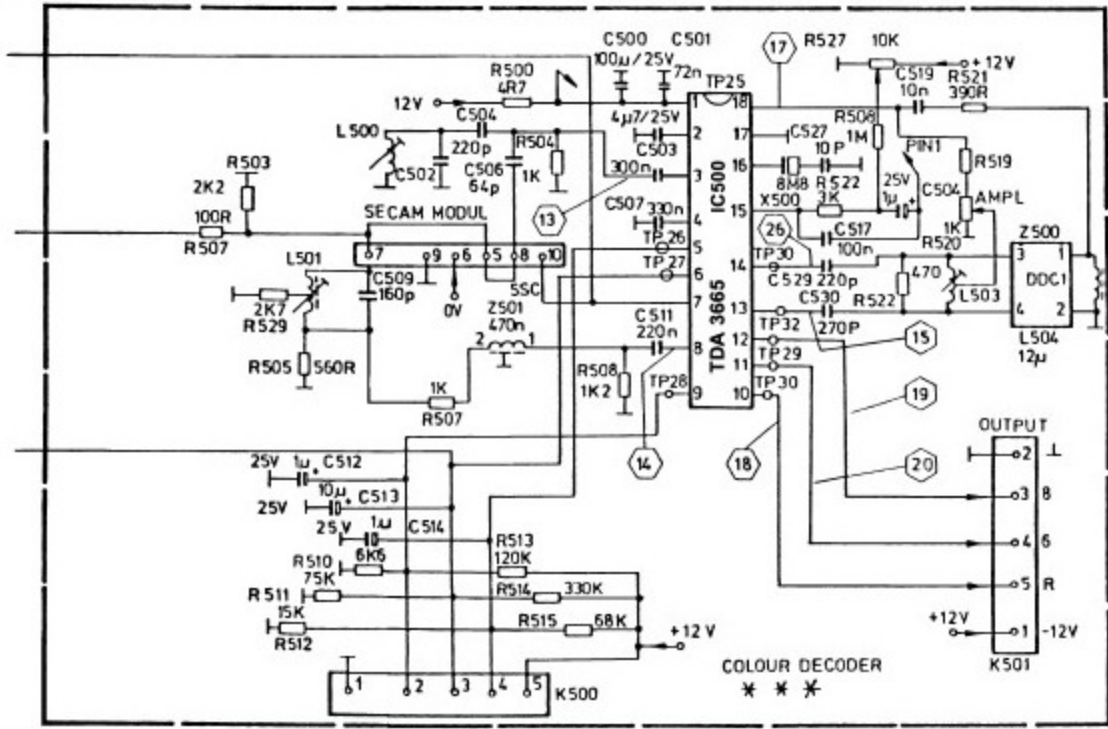
CONTROL BOARD II



SECAM



UGRADENI KINOSKOPI :
14" 15" 20" 21"
PRIPADAJUĆI ELEMENTI
VIDI TABLICU NIŽE !



| | 14" | 15" | 20" | 21" |
|------|---------------|---------------|---------------|---------------|
| L501 | AT4042 / 90 | AT4042 / 91 | AT4042 / 90 | AT4042 / 90 |
| C604 | 470MK 250V | 330MK 250V | 470MK 250V | 330MK 250V |
| C605 | 75NJ 1,5KV | 58NJ 1,5KV | 75NJ 1,5KV | 68NJ 1,5KV |
| R717 | 2R26 1W | 2R26 1W | 1R0 1W | 1R0 1W |
| R115 | 56K | 56K | 56K | 39K |
| L502 | ○ | J100 L602 | ○ | J100 L602 |
| R612 | □ | □ | □ | 3M3 1W |

