

1

2

3

4

A

A

B

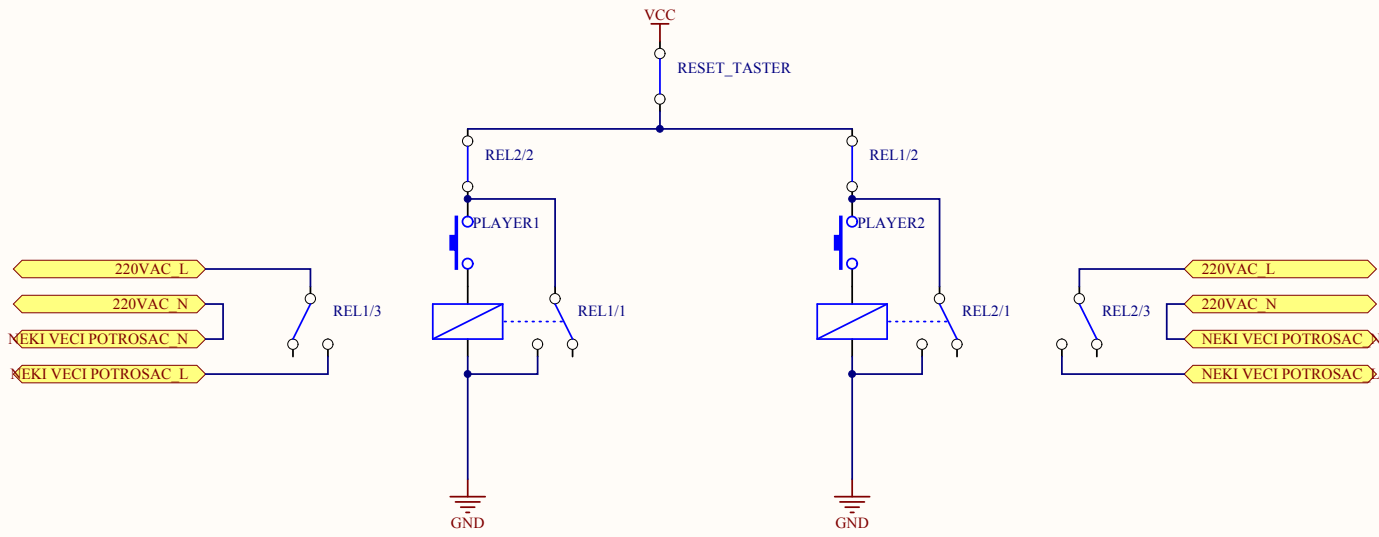
B

C

C

D

D



Title		
Size	Number	Revision
A4		
Date:	11/7/2013	Sheet of
File:	D:\Users\...\Kviz.SchDoc	Drawn By:

1

2

3

4