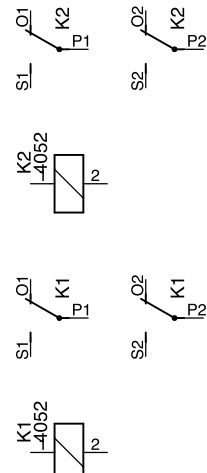
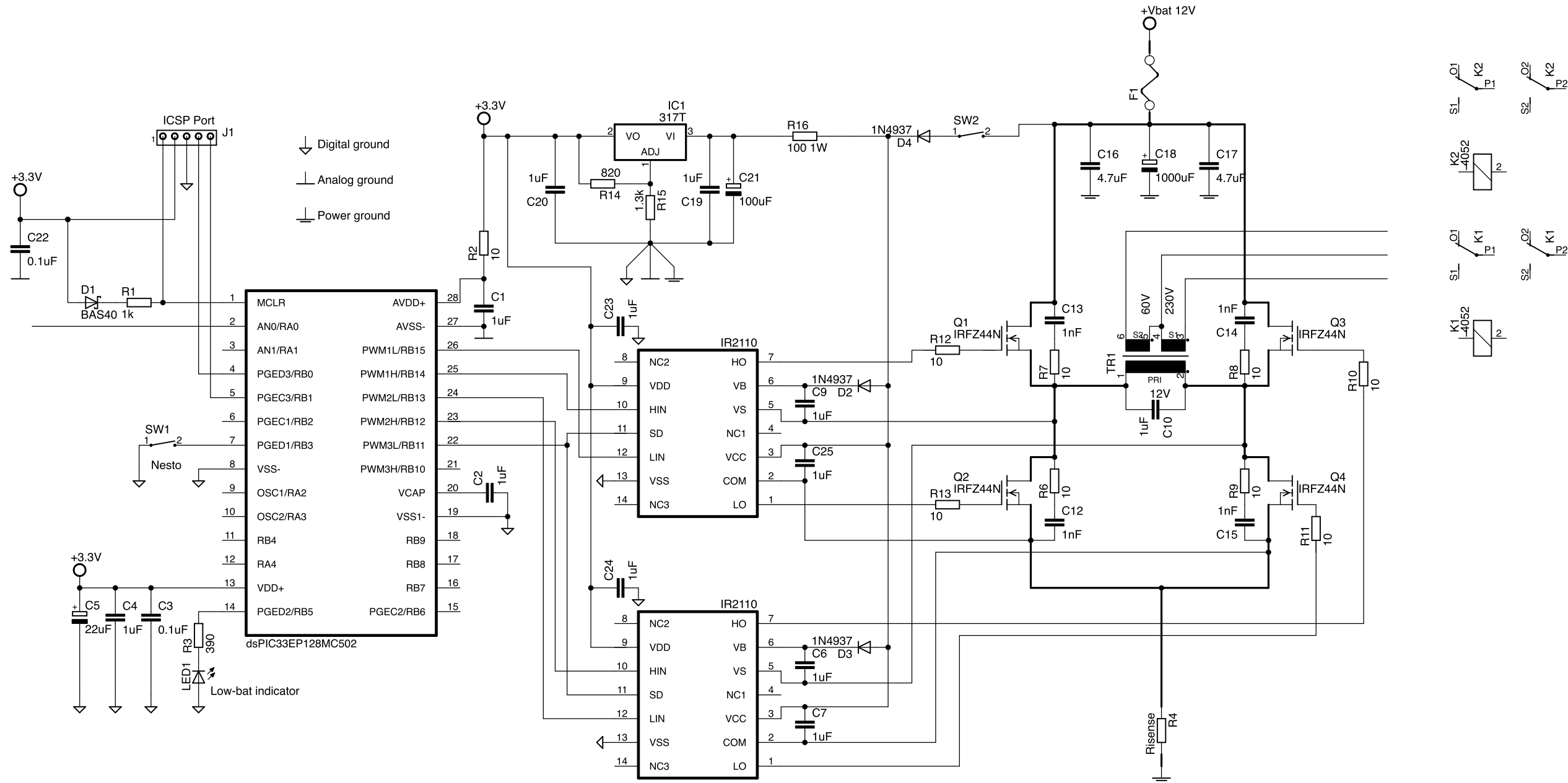


A DSP Based Sine wave UPS with charger by YU3MA

PREVIEW VERSION



Features:

- DSP digital PWM modulator
- Full bridge output stage
- 3-level PWM modulation
- Over current protection
- Adjustable death-time
- Synchronous rectification in charger mode
- High efficiency
- Compact design

- More to come ...

A DSP Based Sine wave UPS with charger by YU3MA
<http://yu3ma.net>

TITLE: dsPIC-UPS

Document Number:

REV:
1

Date: 9/22/13 4:38 PM

Sheet: 1/1