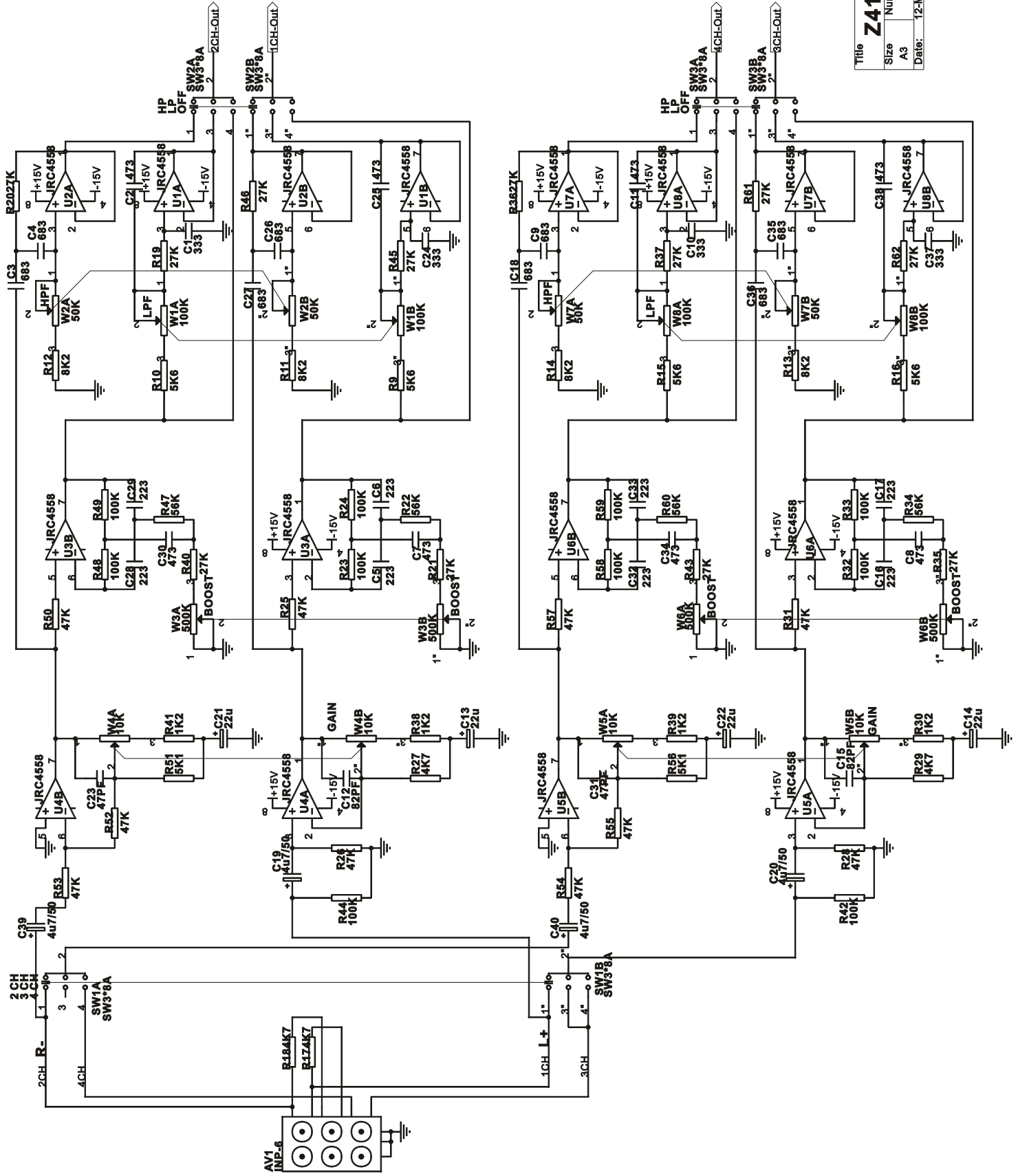
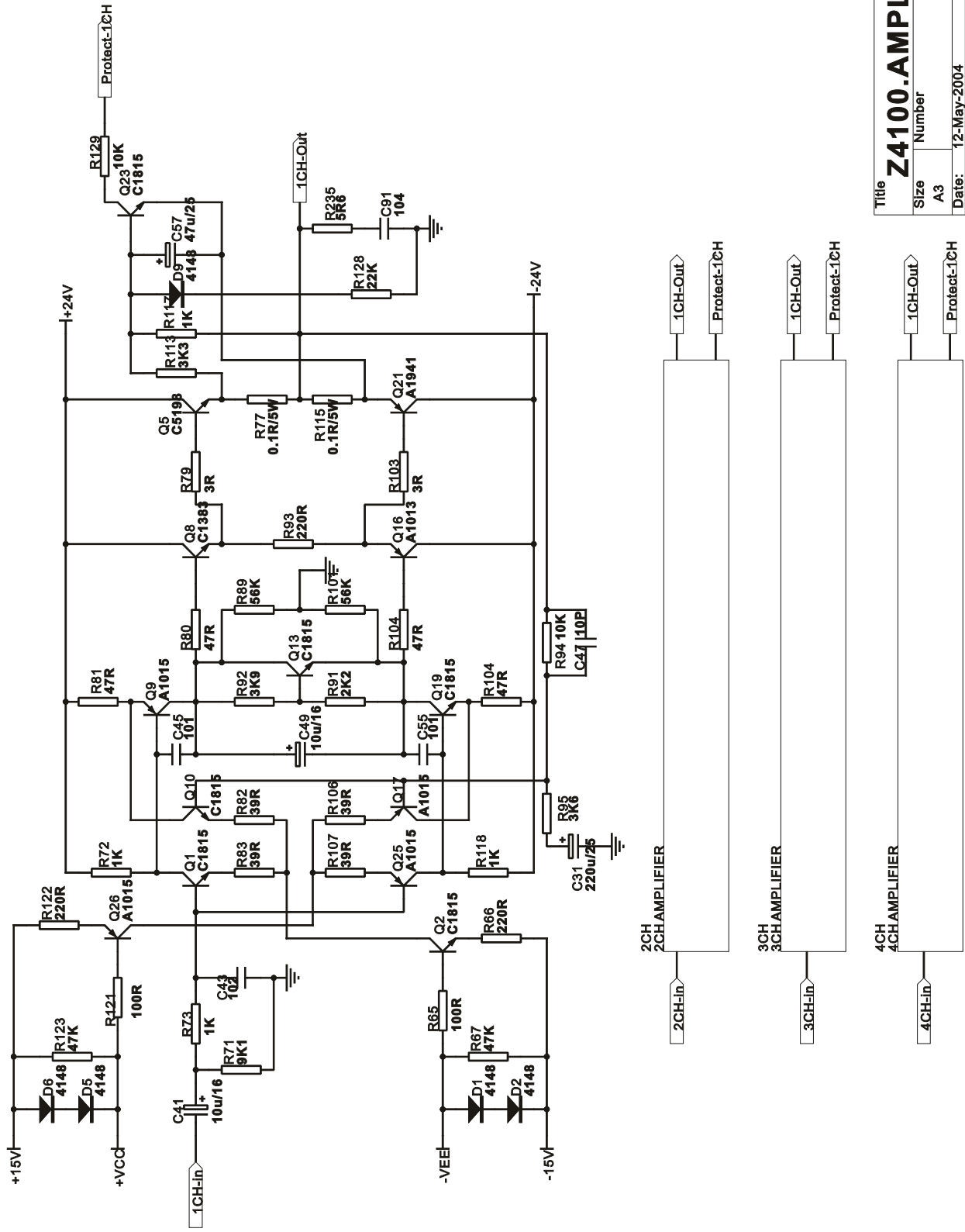




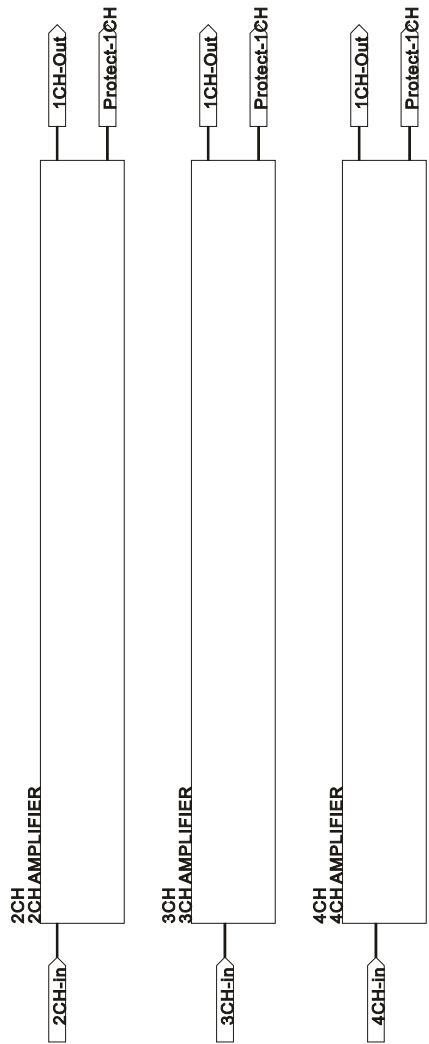
Z 4100

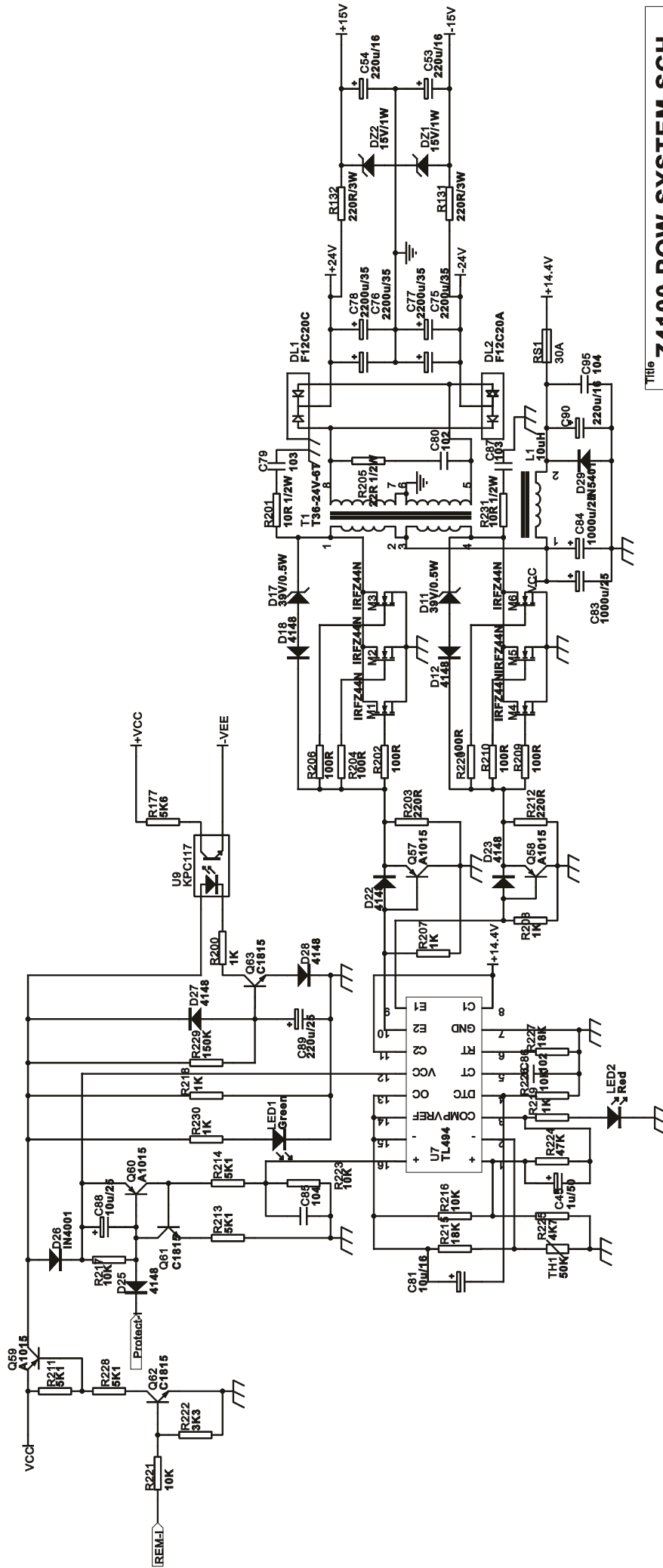


Title		<b>Z4100.PRE-SYSTEM.SCH</b>	
Size	Number	Revision	A01
A3		Date:	12-May-2004
		Sheet	



Title		<b>Z4100.AMPLIFIER.SCH</b>	
Size	Number	Revision	
A3		<b>A01</b>	
Date:	12-May-2004		Sheet





Title		<b>Z4100.POW-SYSTEM.SCH</b>	
Size	Number	Revision	
A3		A01	
Date:	12-May-2004		Sheet