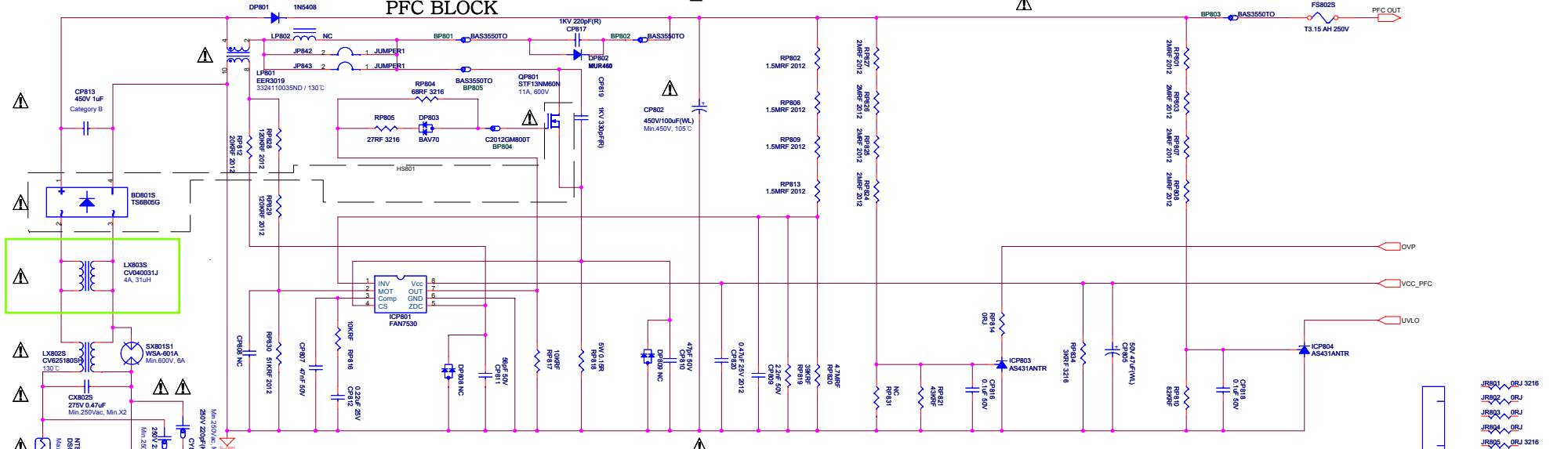


I32HD_AHS 1.1R.B

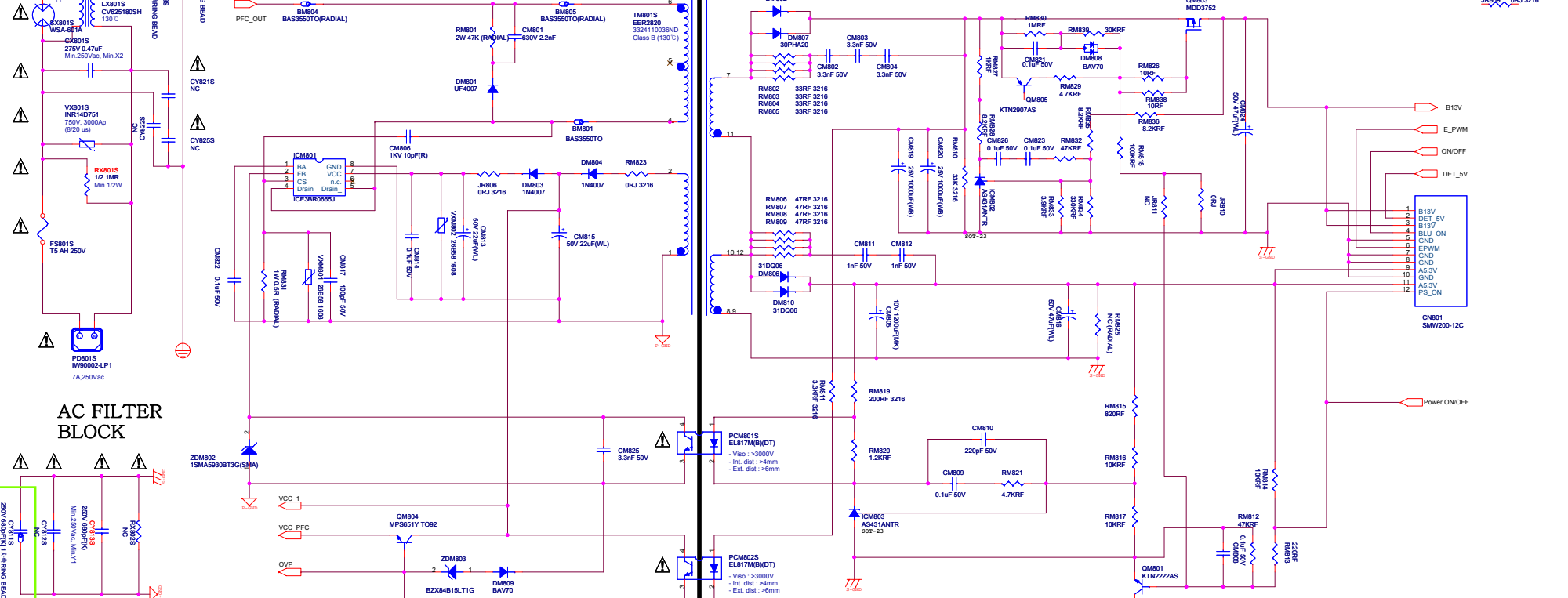
PFC BLOCK



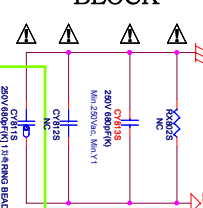
STAND BY & Multi BLOCK

HOT

COLD

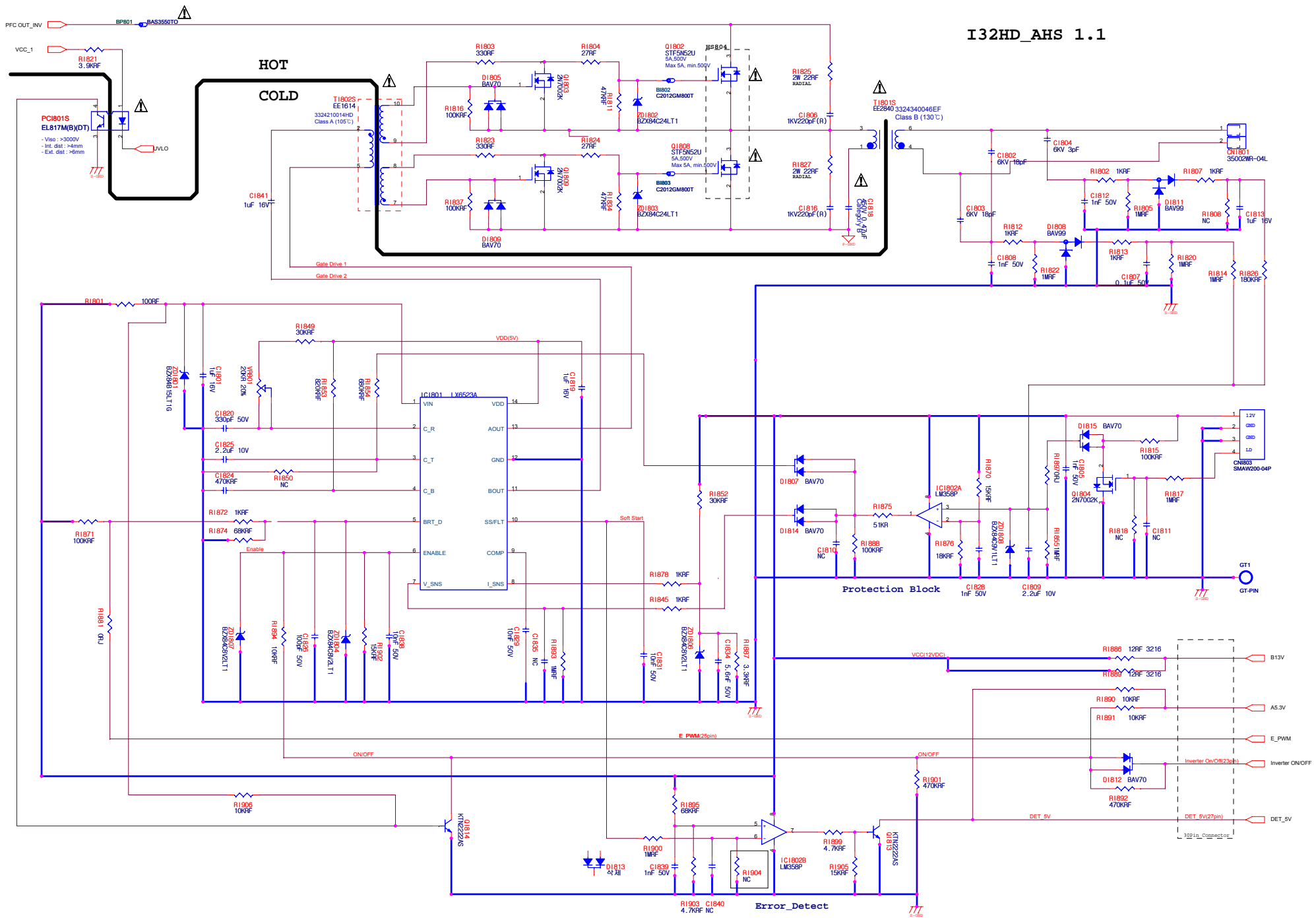


AC FILTER BLOCK



NC : No Connection
 ** No marking resistor 1008 1% and
 ** No marking capacitor 1008 5% and

File I32HD_AHS(POWER Block)		
Size A2	Document Number B1444-003696	Rev 1.1
Date: Thursday, January 28, 2010	Sheet 1 of 1	



I32HD_AHS 1.1

** NC : No Connection
 ** No marking resistor 1608 1% SMD
 ** No marking capacitor 1608 X7R SMD

Title		I32HD_AHS
Size	Document Number	BN44-003698
A2		
Date:	Thursday, January 28, 2010	Sheet 1 of 1
		Rev 1.1