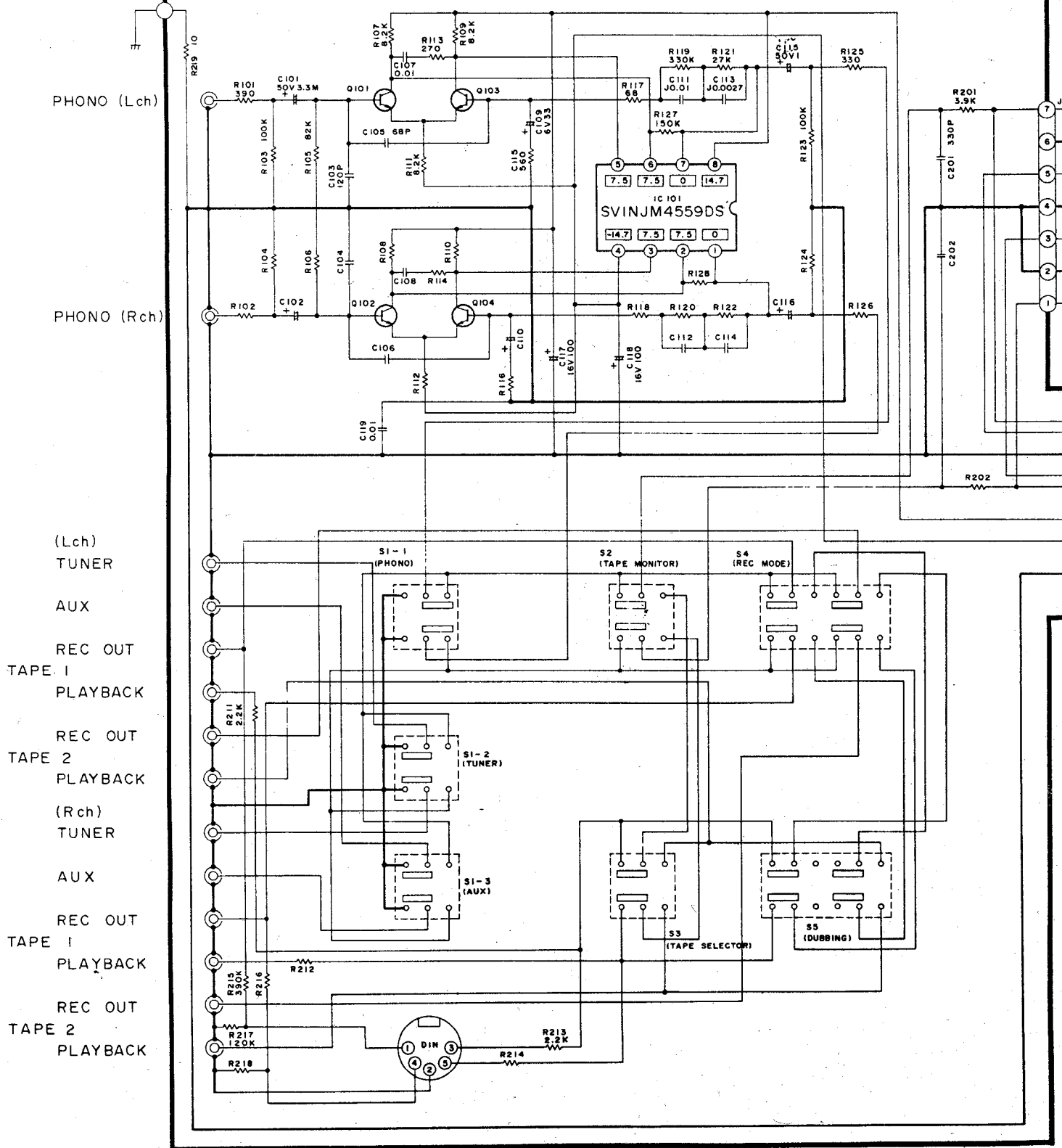
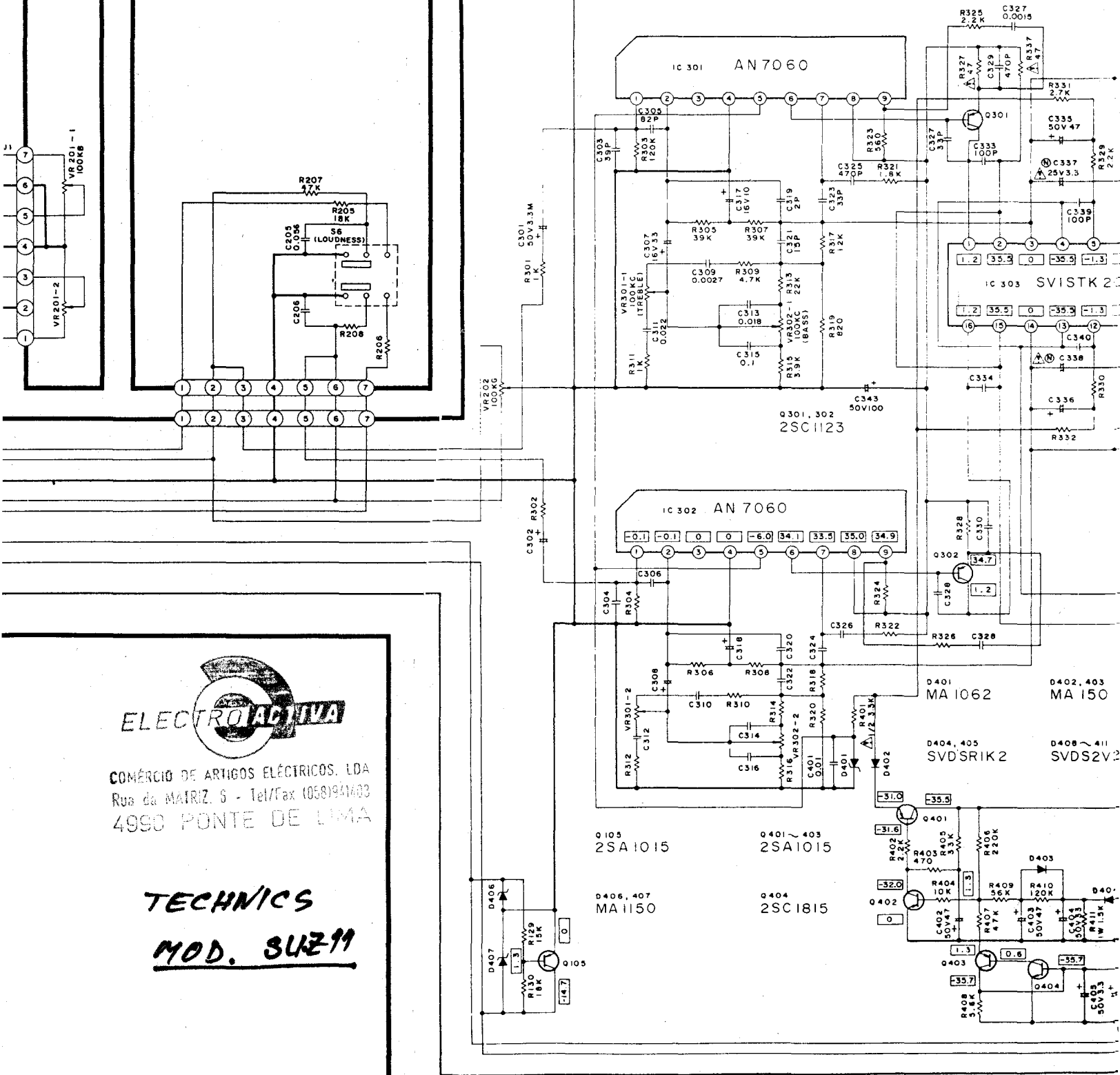


Q101 ~ 104  
2SC 2320



SUP  
21591 B

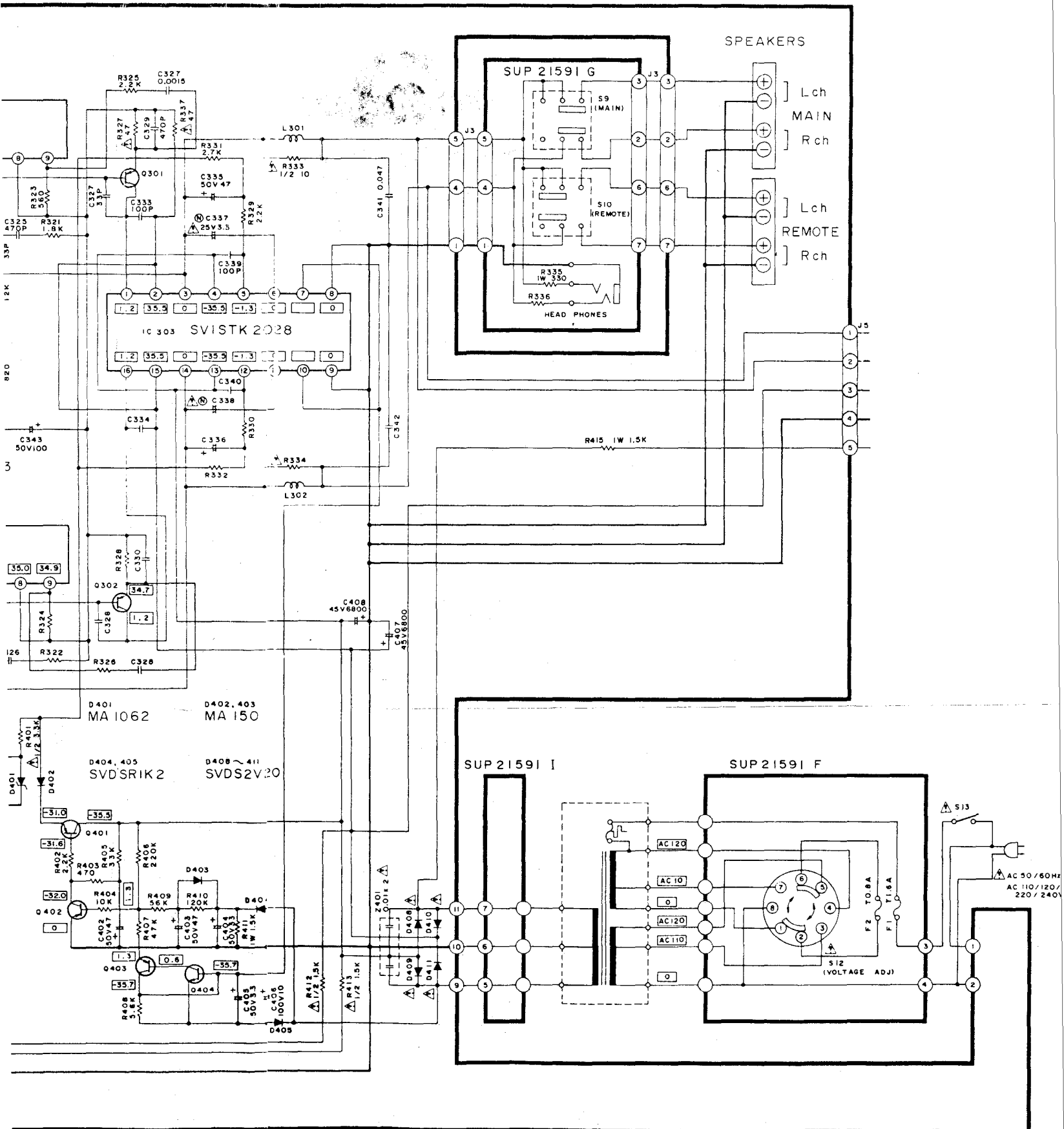
SUP 21591 D



COMÉRCIO DE ARTIGOS ELÉTRICOS. LDA  
Rua da MATRIZ, 5 - Tel/Fax (058)941403  
4950 PONTE DE LIMA

**TECHNICS**

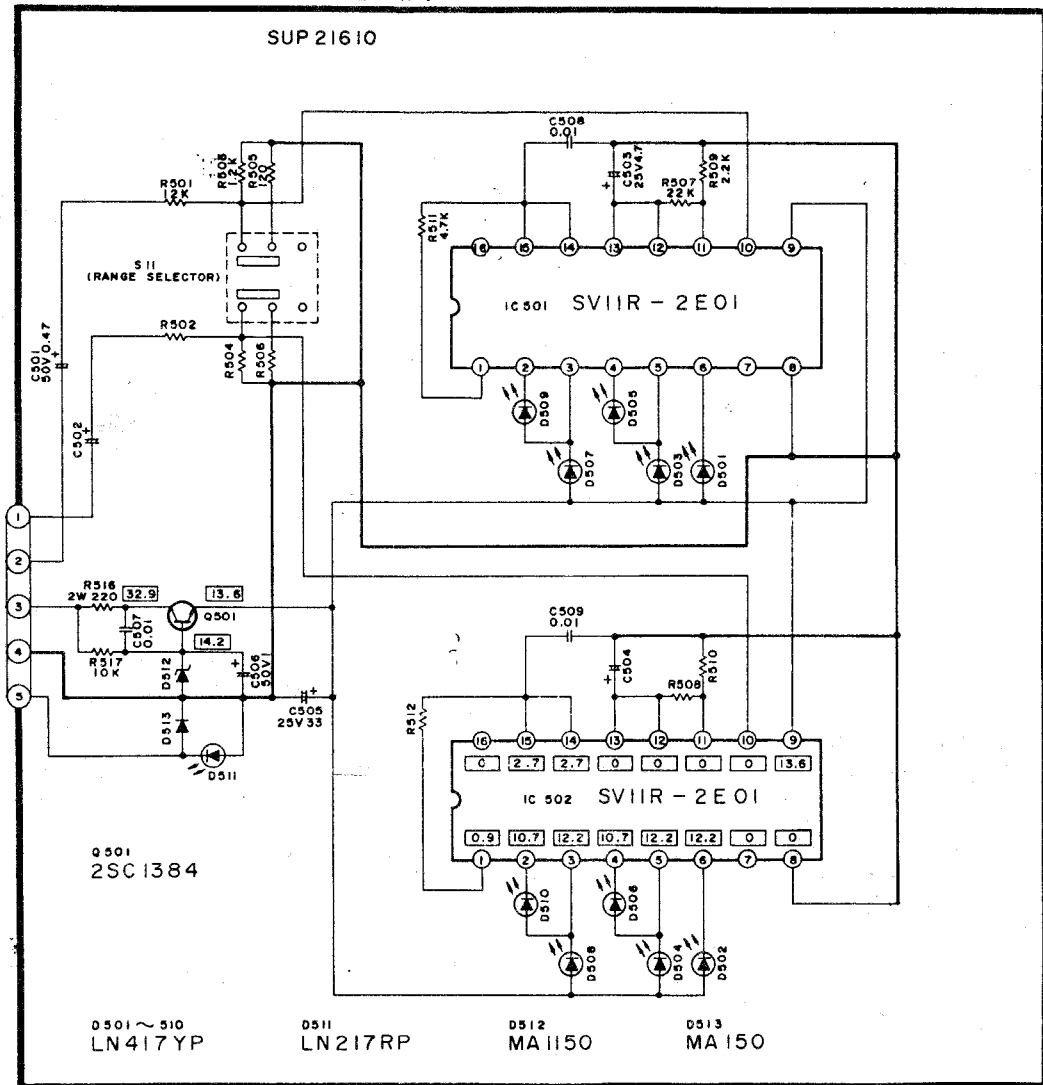
**MOD. SUZ11**





COMÉRCIO DE ARTIGOS ELÉTRICOS. LDA  
 Rua da MAIRIZ, 6 - Tel/Fax (056)941403  
 4990 PONTE DE LIMA

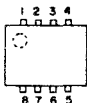
SUP 21610



# TERMINAL GUIDE



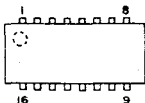
2SA 1015  
2SA 1123  
2SC 1384  
2SC 1815  
2SC 2320



SV1NJM4559DS



SV1STK2028



SV1IR2E01



AN7060

## NOTES

1. S<sub>1</sub> Input selector switch in "phono" position. (phono  $\longleftrightarrow$  tuner  $\longleftrightarrow$  aux)
2. S<sub>2</sub> Tape monitor switch in "source" position. (source  $\longleftrightarrow$  tape)
3. S<sub>3</sub> Tape selector switch in "tape 1" position. (tape 1  $\longleftrightarrow$  tape 2)
4. S<sub>4</sub> Rec mode switch in "source" position. (source  $\longleftrightarrow$  dubbing)
5. S<sub>5</sub> Dubbing switch in "tape 1  $\blacktriangleright$  2" position. (tape 1  $\blacktriangleright$  2  $\longleftrightarrow$  tape 2  $\blacktriangleright$  1)
6. S<sub>6</sub> Loudness switch in "off" position.

7. S<sub>9</sub> Main speaker switch in "on" position.
8. S<sub>10</sub> Remote speaker switch in "off" position.
9. S<sub>11</sub> Range selector switch in "x 1" position. (x 1  $\longleftrightarrow$  x 0.01)
10. S<sub>12</sub> Voltage adjustment switch in "240V" position.  
240V  $\longleftrightarrow$  220V  $\longleftrightarrow$  110V  $\longleftrightarrow$  120V

11. S<sub>13</sub> Power switch in "off" position.

12. All the resistors otherwise noticed are 1/4W  $\pm$ 5% or 1/8W  $\pm$ 5% carbon film resistors.

13.  $\triangle$  Indicates that only parts specified by the manufacturer be used for safety.

14.  $\square$  Indicates voltage values are the standard values for the DC electron tester with chassis taken as standard.

