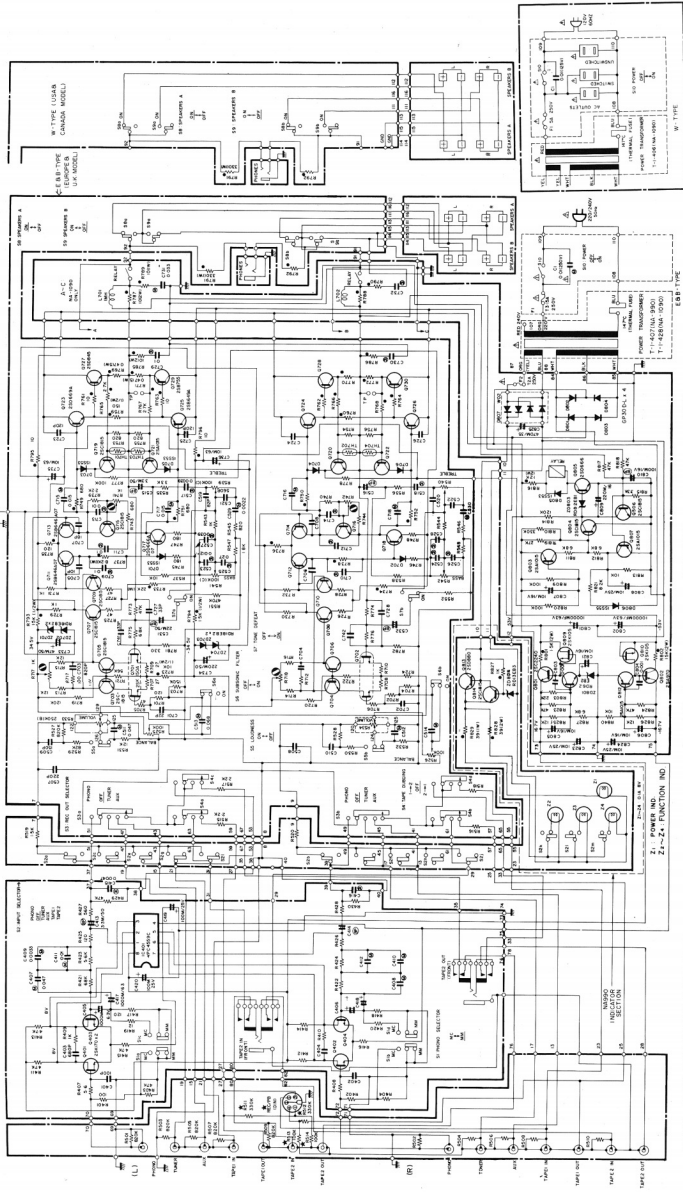


SCHEMATIC DIAGRAM
NIKKO NA990/NAT090



- 1. CONTROLS: 0 - START; 1 - CHASE
- 2. TUBE SOCKET: 0 - 6X4; 1 - 6AR5; 2 - 6AV6
- 3. TUBE SOCKET: 0 - 6X4; 1 - 6AR5; 2 - 6AV6
- 4. TUBE SOCKET: 0 - 6X4; 1 - 6AR5; 2 - 6AV6
- 5. TUBE SOCKET: 0 - 6X4; 1 - 6AR5; 2 - 6AV6
- 6. TUBE SOCKET: 0 - 6X4; 1 - 6AR5; 2 - 6AV6
- 7. TUBE SOCKET: 0 - 6X4; 1 - 6AR5; 2 - 6AV6
- 8. TUBE SOCKET: 0 - 6X4; 1 - 6AR5; 2 - 6AV6
- 9. TUBE SOCKET: 0 - 6X4; 1 - 6AR5; 2 - 6AV6
- 10. TUBE SOCKET: 0 - 6X4; 1 - 6AR5; 2 - 6AV6

REPLACEMENT PARTS LIST
 PARTS LIST
 PARTS LIST
 PARTS LIST

