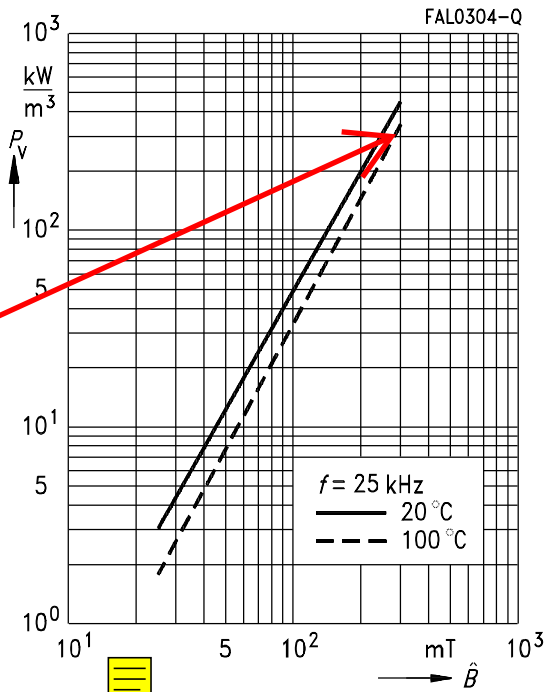
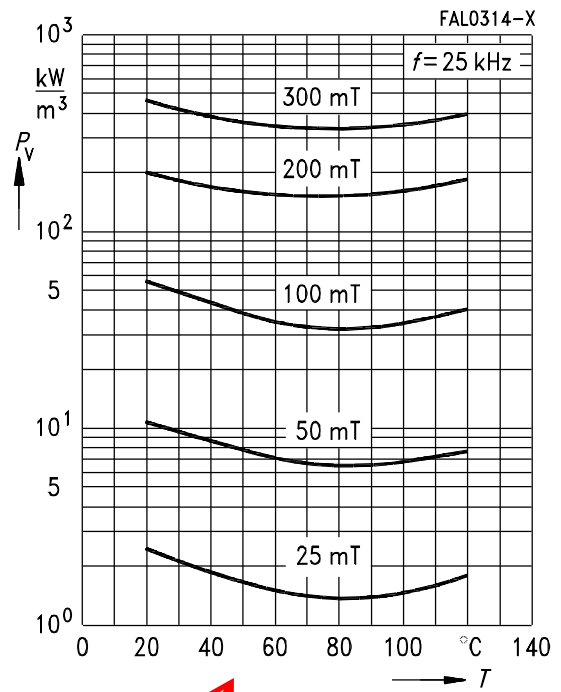


Relative core losses versus AC field flux density  
 (measured with R16 ring cores)



Relative core losses versus temperature  
 (measured with R16 ring cores)



Relative core losses versus frequency  
 (measured with R16 ring cores)

