

DRAWING NUMBER ISSUE
S-S2001AS-02A

Soundcraft
 DIVISION OF HARMAN INTERNATIONAL INDUSTRIES LIMITED
 10000 WEST HARTFORD ROAD
 HERTFORDSHIRE
 POTTERS BAR
 HERTFORDSHIRE
 HX5 9JN
 TEL: 444 (0)1707 665000
 FAX: 444 (0)1707 66482

TITLE: **E8 MIXER**

SHEET 8 OF 12

FILENAME: S-S2001AS-02A.SCH

DRAWN: AC

DATE: 20/01/01

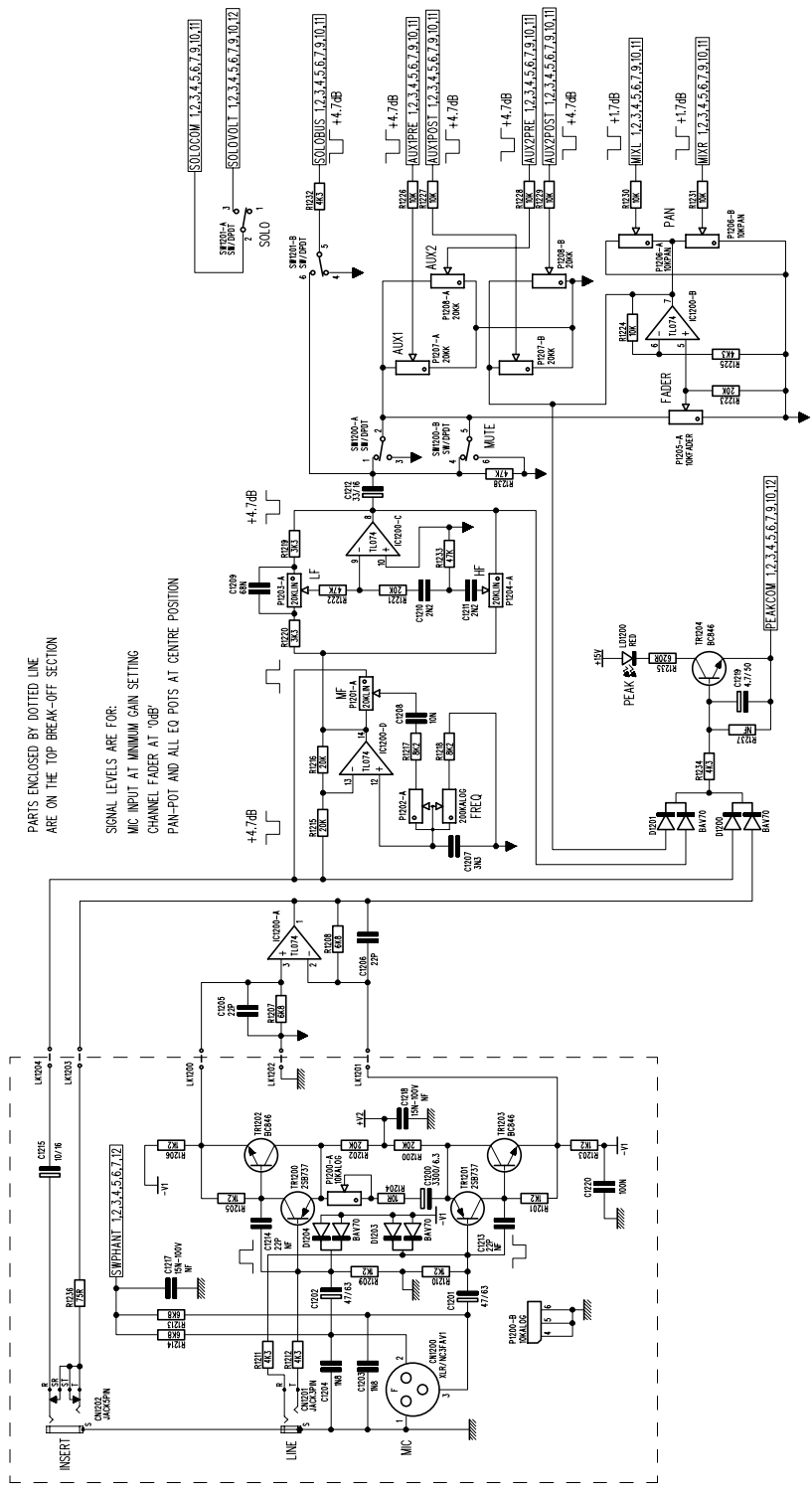
CHECKED:

MATERIAL:

FINISH:

ISSUE COMMENTS:

**ELECTRONIC SERVICE
 TIRGOVISTE**



PARTS ENCLOSED BY DOTTED LINE
 ARE ON THE TOP BREAK-OFF SECTION

SIGNAL LEVELS ARE FOR
 MIC INPUT AT MINIMUM GAIN SETTING
 CHANNEL FADER AT '0dB'
 PAN-POT AND ALL EQ POTS AT CENTRE POSITION

