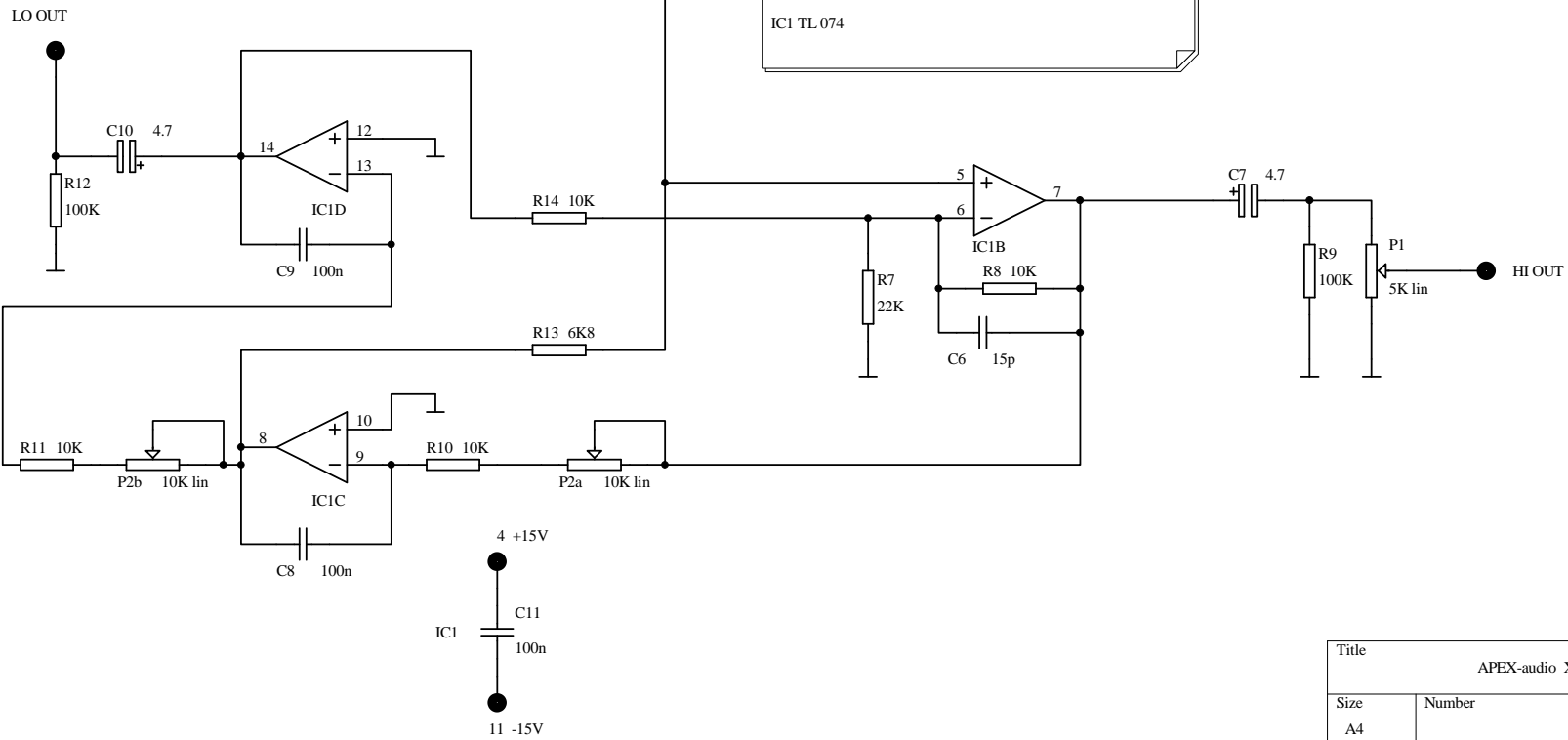


^ 12dB/oct activ X-over with balanced input and outputs for subwoofer (L.O),satelite(HI) or full-range(FR). X-over adjust 50-250Hz, and level for satelite (HI).  
<http://www.diyaudio.com/forums/analog-line-level/167363-mic-line-eq-preamps-13.html>



^ P1 5K lin HI LEVEL  
 P2 2 x 10K lin X OVER  
 IC1 TL 074

Title		
APEX-audio XS2 x-over		
Size	Number	Revision
A4		
Date:	11/19/2012	Sheet of
File:	D:\P R O T E L\ALTIUM\XS2.SchDoc	Drawn By: YT1NVS