

PR01
SC-5R(P)

RIC02
X24C02P

RIC01
SPM109B

RIC03
KIA7042P

SW103 JTR1105
SW102 JTR1105
SW101 JTR1105

BAND2
BAND1

POWER
SDA
SCL

+12B
+8B

REMOT

AUDIO-AMP

AV/VIDEO

D102
1N4148

+12B

R640
820

D601
1N4148

Q610
C815-Y

R622
240

21-OUT

Q703
A539-Y

R705
120K

R702
20K

R703
27K

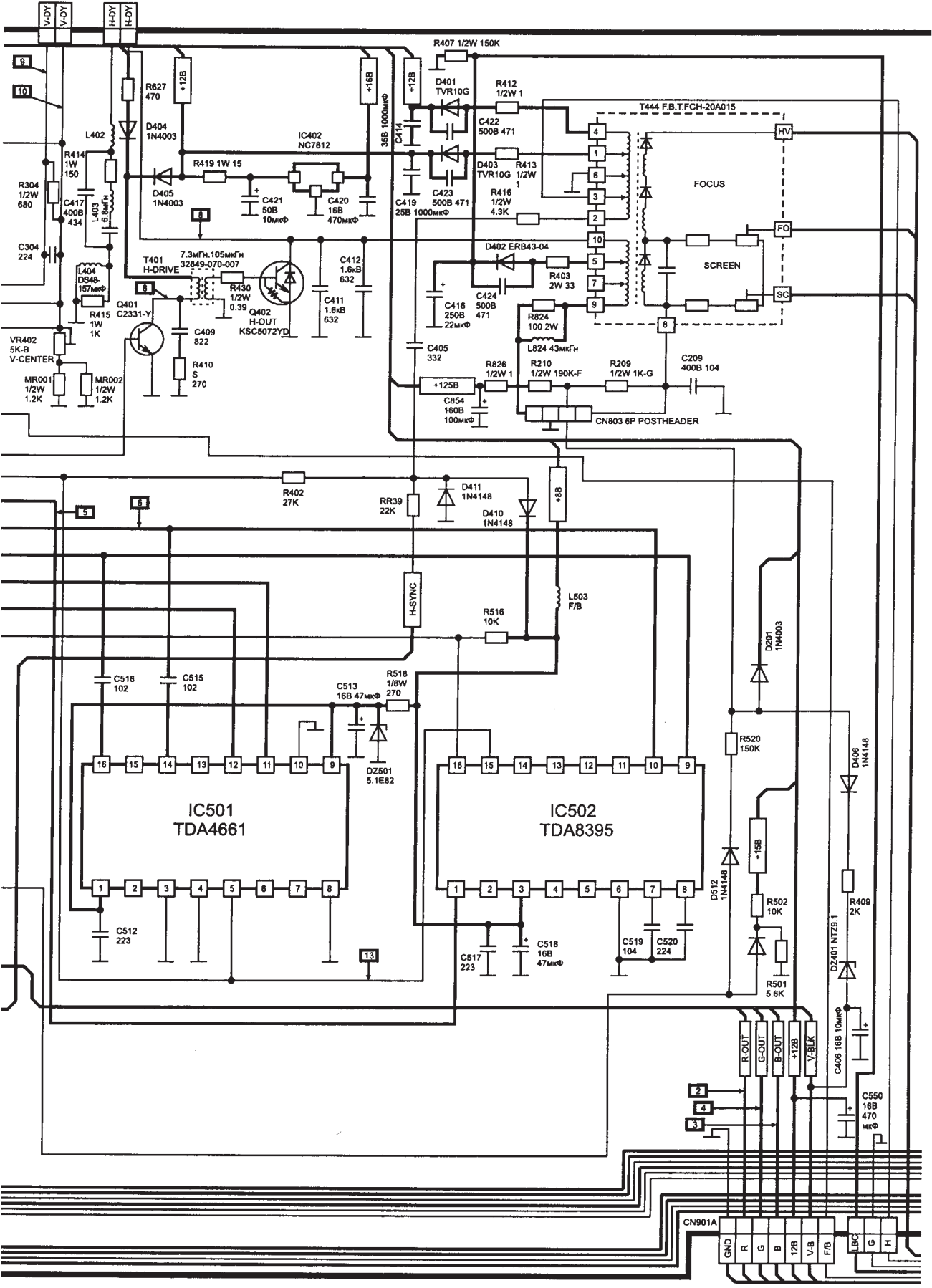
+12B

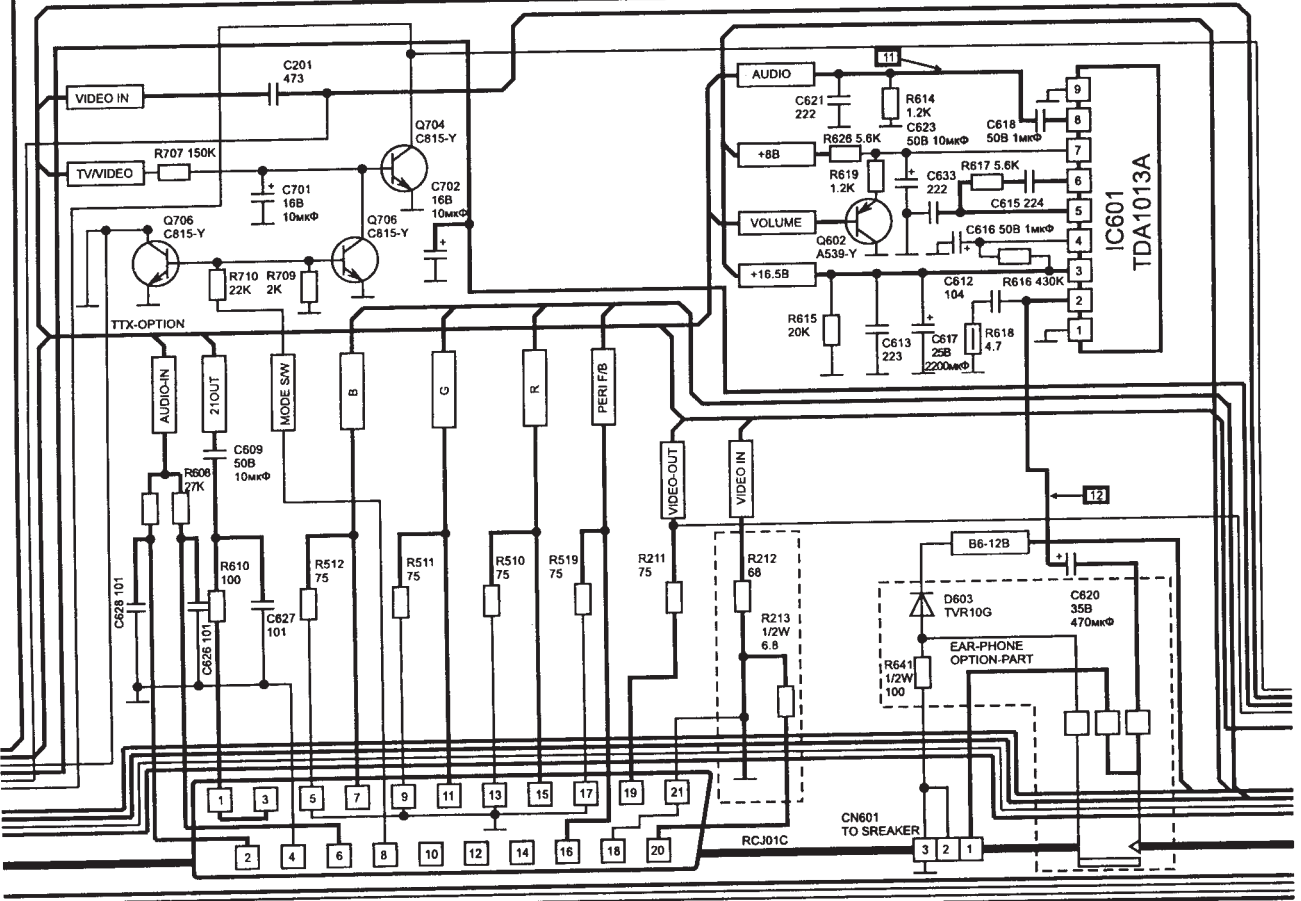
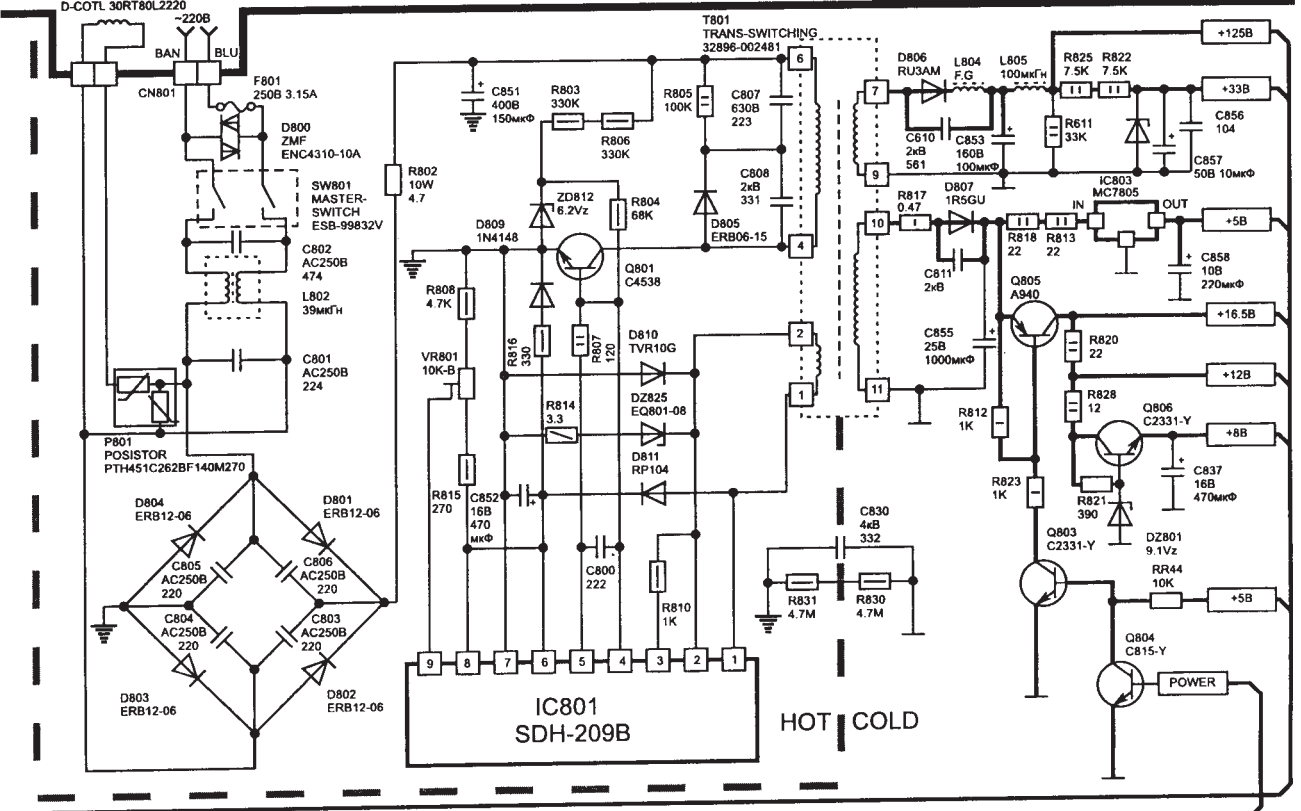
- 1 VTUNN
- 2 VOL
- 3 BrL
- 4 COLOR
- 5 CON
- 6 Bal/Ton/Hue
- 7 VHF-1
- 8 VHF-3
- 9 AFC
- 10 UHF
- 11 VTR
- 12 AV
- 13 Keyb0
- 14 Keyb1
- 15 Keyb2
- 16 Keyb3
- 17 Keyb4
- 18 Keyb5
- 19 KEYB6
- 20 Mdstr
- 21 GND

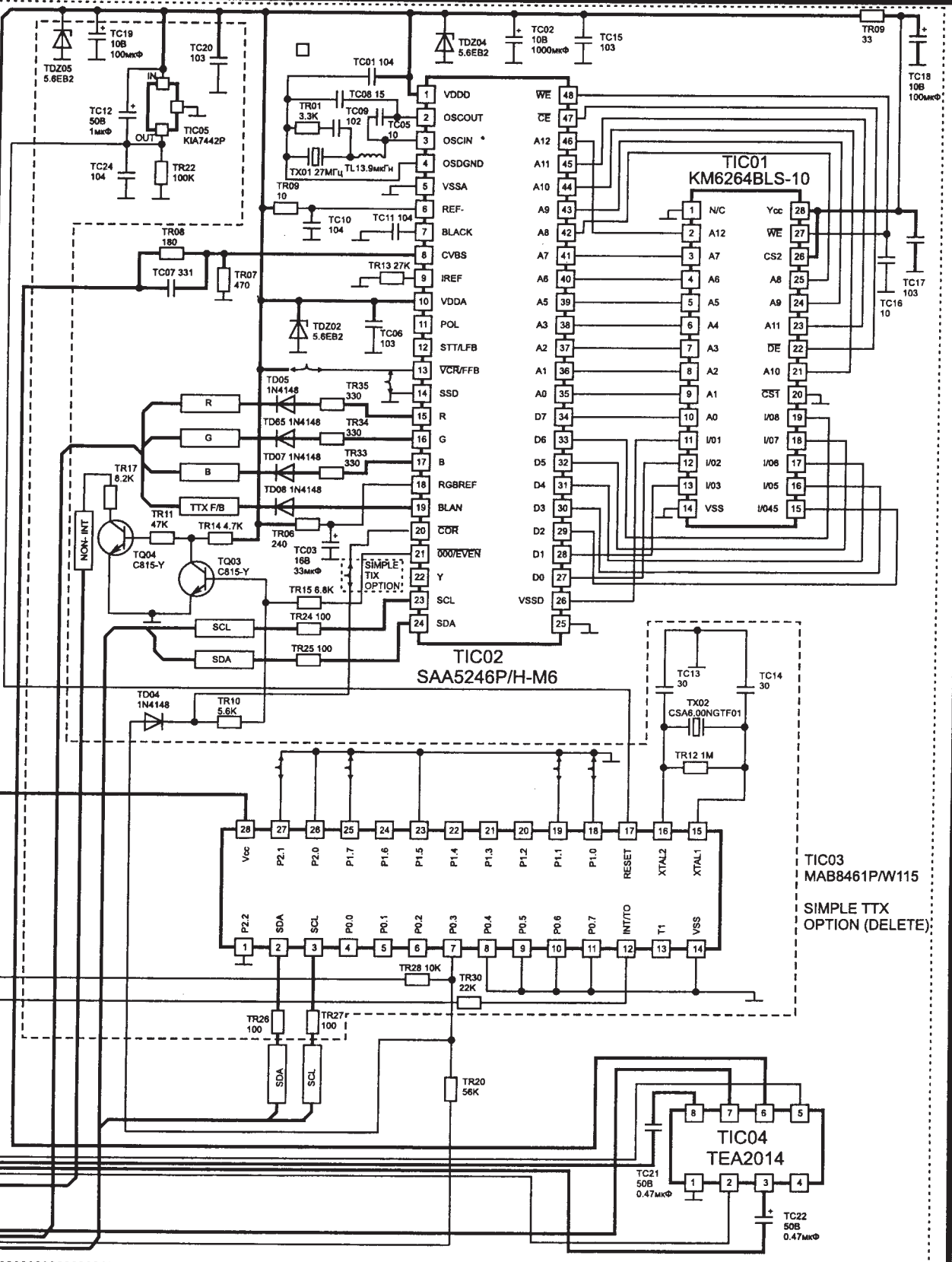
- 42 VDD
- 41 Stbdy
- 40 SDA
- 39 SCL
- 38 System
- 37 Effect
- 36 Snd1
- 35 Rmot
- 34 Snd1
- 33 Reset
- 32 Xtal1
- 31 Xtal2
- 30 GND
- 29 IDENT
- 28 Desc
- 27 VSVNC
- 26 Hsync
- 25 Fo1
- 24 Blue
- 23 Ggreen
- 22 Red

- 42
- 41
- 40
- 39
- 38
- 37
- 36
- 35
- 34
- 33
- 32
- 31
- 30
- 29
- 28
- 27
- 26
- 25
- 24
- 23
- 22

- POWER
- SDA
- SCL
- REMOT
- AUDIO-AMP
- AV/VIDEO
- VSYNC
- H-SYNC
- OSD F/B
- OSD B
- OSD G
- OSD R







TIC01
KM6264BLS-10

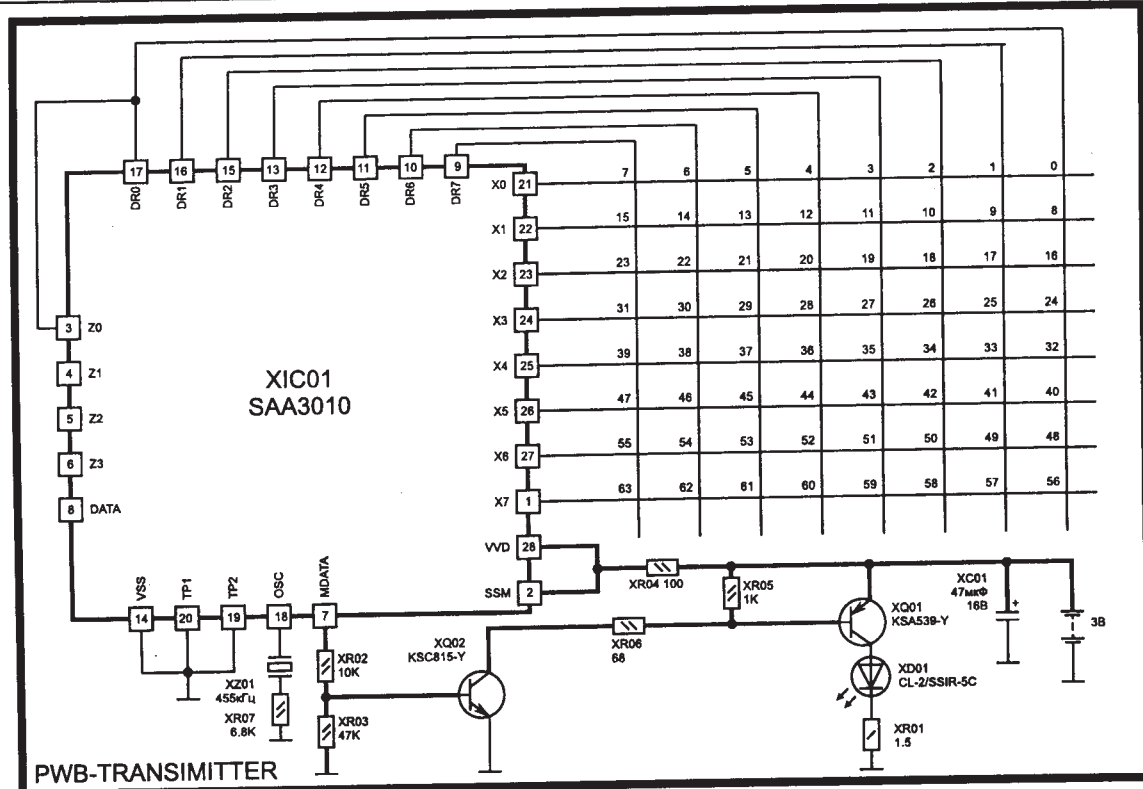
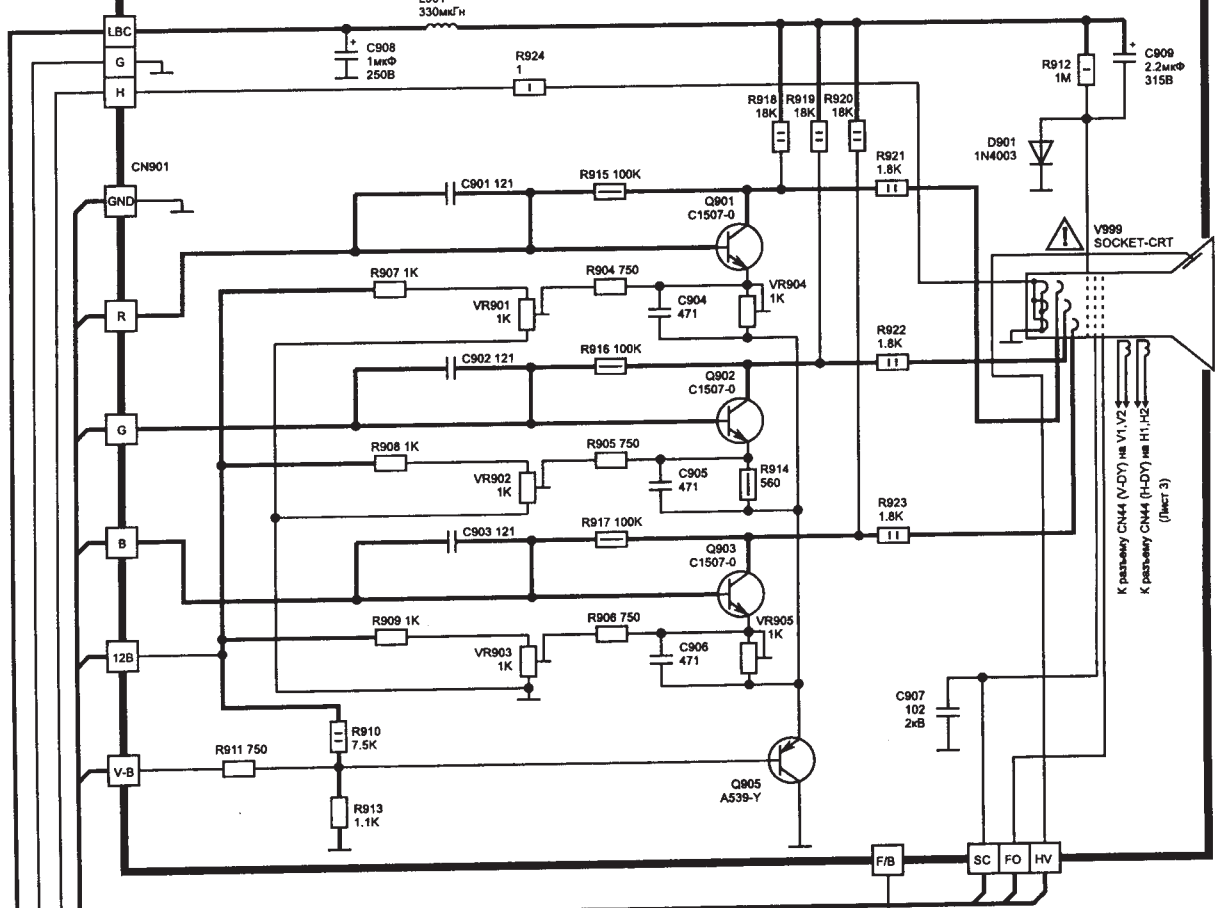
TIC02
SAA5246P/H-M6

TIC03
MAB8461P/W115

SIMPLE TTX
OPTION (DELETE)

TIC04
TEA2014

PWB-CRT



PWB-TRANSMITTER