



Service Manual

Freestanding Cooling

Double Door

ART 665/G

Model Version		Page
ART 665/G 8564 665 10000		
	Technical data	2
	Spare part list	3
	Exploded view	4
	Circuit and Wiring diagram	5

Technical data

Dimensions

Height	151.1	cm
Width	59.5	cm
Depth	60.0	cm

Capacity

Total		
gross	263	l
net	260	l
Cooling		
gross	191	l
net	189	l
Freezing		
gross	72	l
net	71	l

Electrical connection

Voltage	220 - 240	V
Frequency	50	Hz

Power consumption

in 24 hours	1.16	kWh
-------------	------	-----

Freezing capacity

in 24 hours	7	kg
-------------	---	----

Compressor

Manufacturer	EMBRACO	
Type	EMT 60 HLP	
Capacity (CECOMAF)	129	W

Refrigerant

Type	R 134 a	
Quantity	110	g

Thermostat switching value

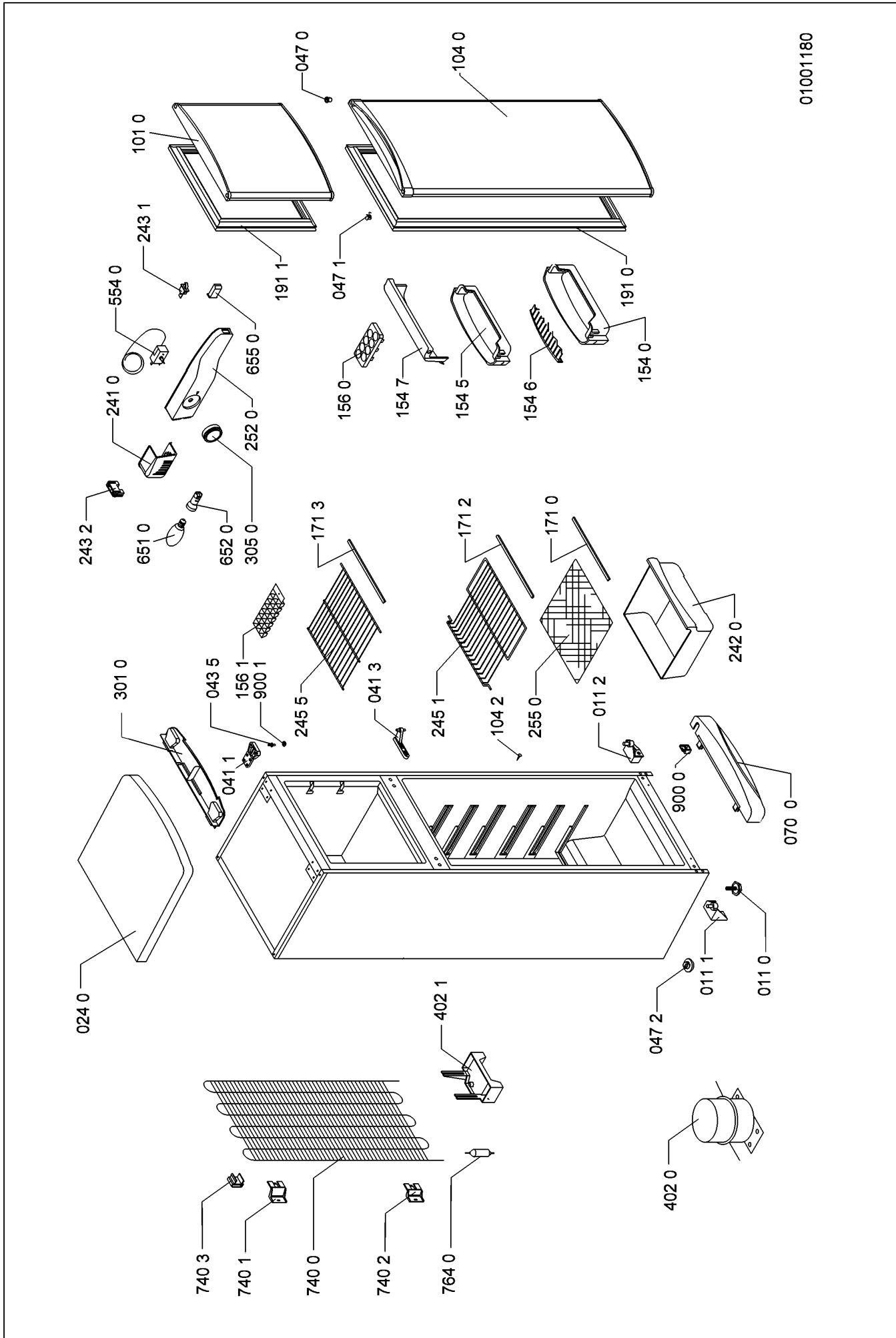
Switch on temperature min.	+ 4.0	°C
Switch on temperature max.	+ 4.0	°C
Switch off temperature min.	- 16.0	°C
Switch off temperature max.	- 32.0	°C

Spare part list

Model ART 665/G
Service No. 856466510000
Version 856466510000

Pos. No.	12NC Code	Description
011 0	4812 462 79803	Adjust.foot
011 1	4812 462 48094	Holder left
011 2	4812 462 18213	Holder right
024 0	4812 400 18059	Table top
041 1	4812 417 19045	Hinge, upper
041 3	4812 417 19044	Hinge,middle
043 5	4812 404 78484	Pin
047 0	4812 404 48805	Holder
047 1	4812 404 38648	Fastener
047 2	4812 404 48809	Fastener
070 0	4812 460 88251	Plinth
101 0	4812 416 18464	Door, freezer
104 0	4812 416 18465	Door, refriger.
104 2	4812 462 28329	Stopper
154 0	4812 418 38076	Door, dairy lower
154 5	4812 418 48555	Door, dairy upper
154 6	4812 418 28281	Separator
154 7	4812 418 28279	Lid
156 0	4812 418 28282	Holder, eggs
156 1	4812 418 48554	Icecube, tray
171 0	4812 462 28331	Profile
171 2	4812 460 58382	Profile
171 3	4812 462 28332	Profile
191 0	4812 468 18108	Magnetic seal
191 1	4812 468 18107	Magnetic seal freezer
241 0	4812 462 28328	Cover lamp
242 0	4812 418 28278	Crisper
243 1	4812 276 18381	Switch
243 2	4812 404 48804	Lampholder
245 1	4812 458 38068	Shelf refr.
245 5	4812 458 38067	Shelf freezer
252 0	4812 404 38646	Panel termostat
255 0	4812 450 58579	Glas cover
301 0	4812 464 69001	Control panel
305 0	4812 412 78813	Knob thermostat
402 0	4819 360 58753	Compressor, EMT 60 HLP
402 1	4819 418 79552	Tray, compressor
554 0	4812 210 58022	Thermostat ATEAA130595
651 0	4819 134 88135	Lamp E14 220V 15W
652 0	4812 404 48803	Holder, lamp
655 0	4812 263 68003	Pushbutton cam
740 0	4812 511 38183	Condenser
740 1	4812 404 48806	Holder
740 2	4812 404 48807	Holder
740 3	4812 404 38647	Spacer
764 0	4819 526 48527	Dryer
900 0	4812 404 48808	Holder
900 1	4812 404 78485	O-Ring

Exploded view



Circuit and Wiring diagram

