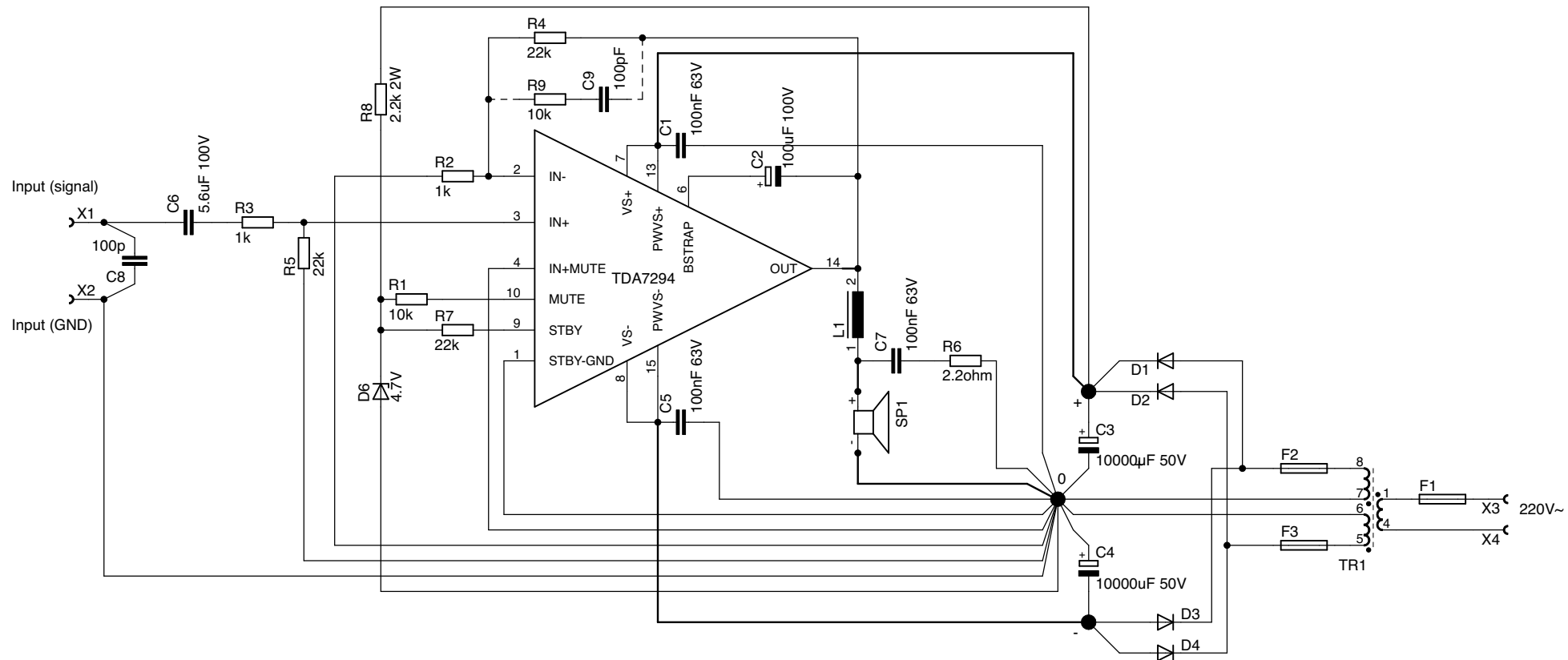


# HiFi Audio Amplifier 5Hz - 200Khz - HQ mods for TDA7294



**NOTES:**

- Amplifier gain  $A = 22$ . For larger gain increase R4 and R5 (for example 47k)
- D1 - D4, F1 - F3, TR1 adjust to power requirements and speaker impedance
- Recommended maximum supply voltage +/- 38V
- L1 - 10 turns 1mm wire over 10ohm 3W resistor
- R9 and C9 are optional for better stability but decrease frequency response
- C8 - solder on input connector
- 1% metal-film recommended for all resistors

HiFi Audio Amplifier 5Hz - 200Khz - HQ mods for TDA7294	
<a href="http://mikikg.wordpress.com/">http://mikikg.wordpress.com/</a>	
TITLE: macola-hq-mods-tda7294	
Document Number:	REV: 1.1
Date: 5/16/12 2:14 AM	Sheet: 1/1