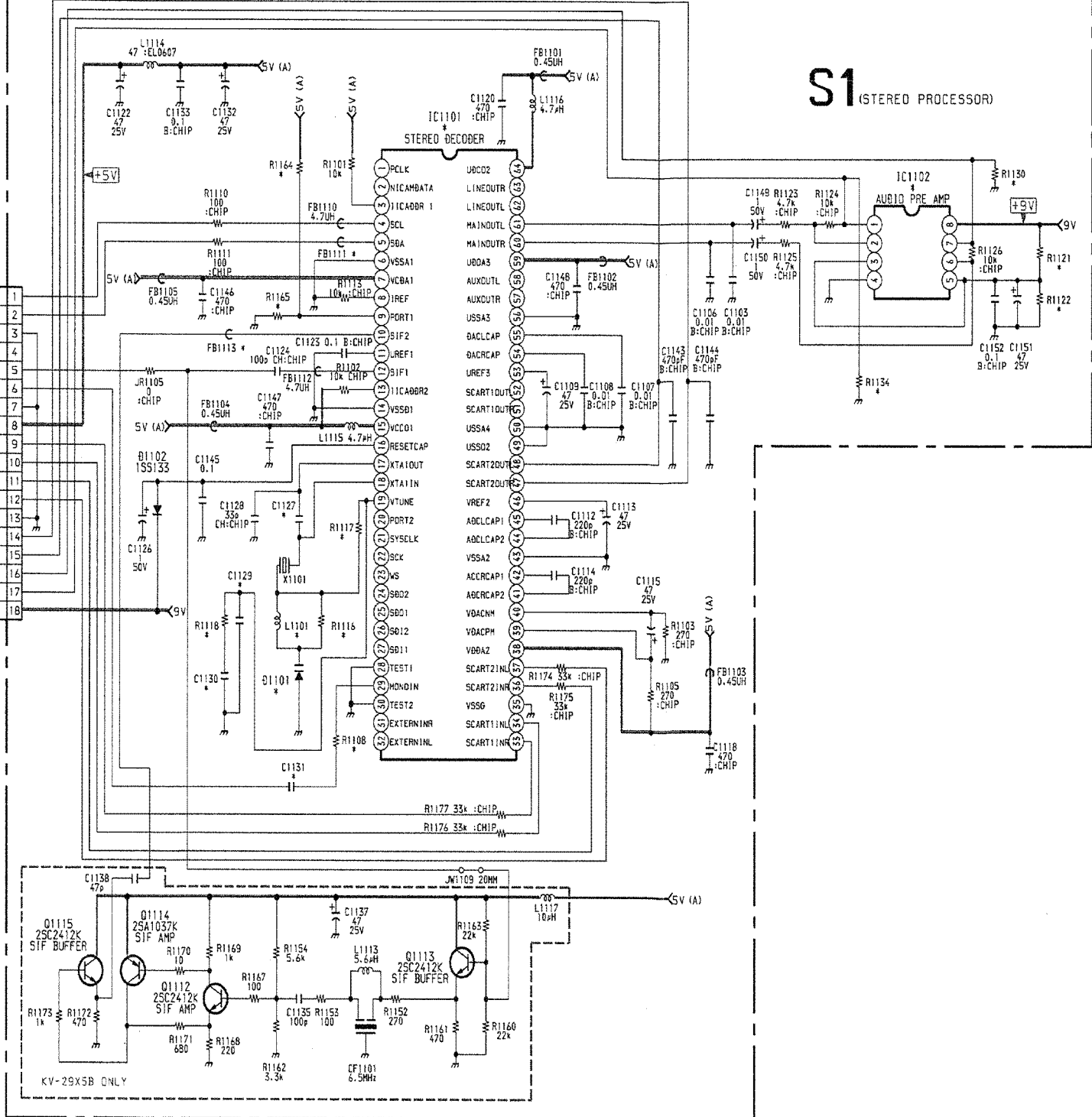


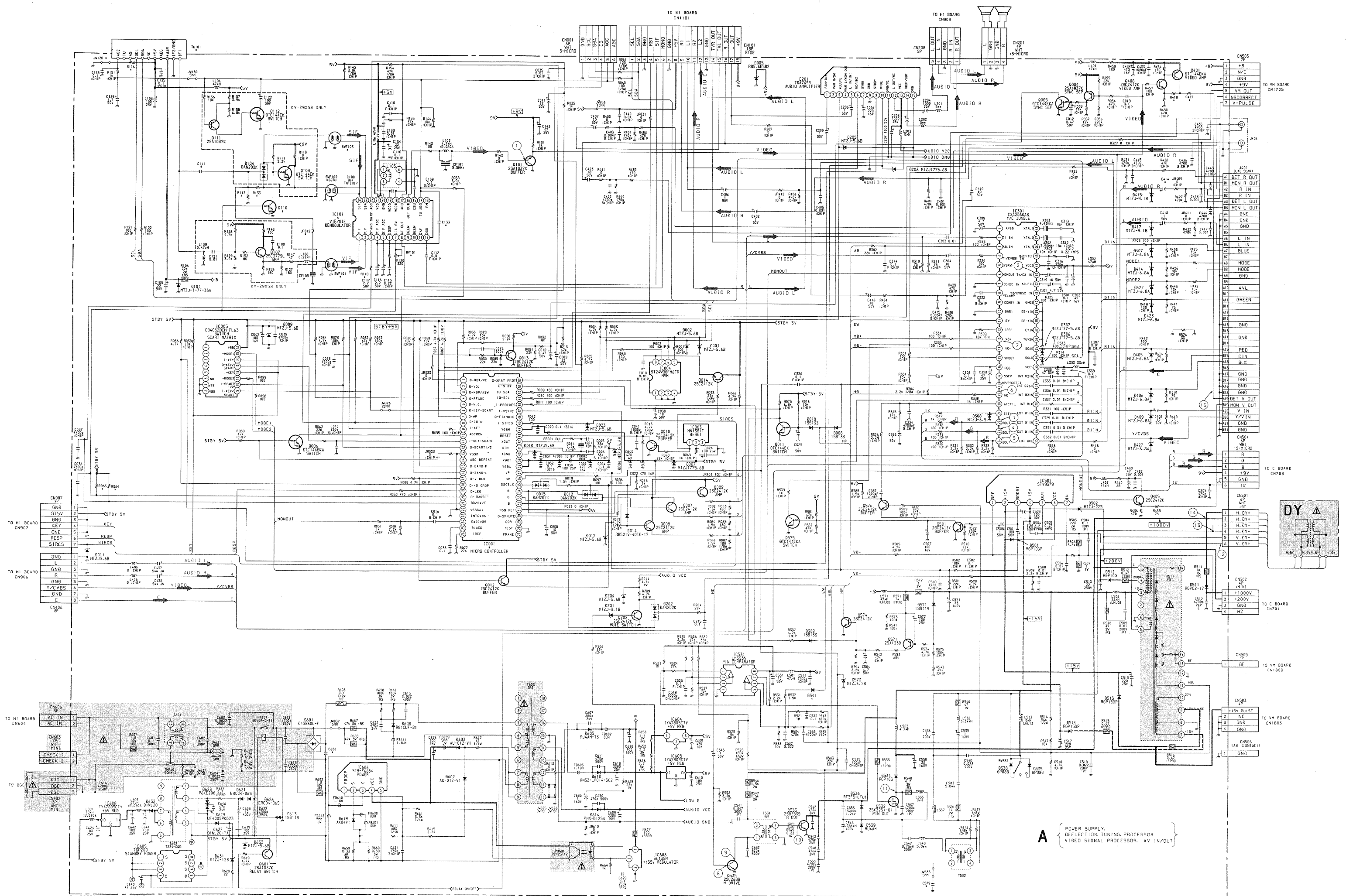
S1 (STEREO PROCESSOR)

CN1101 18P :BTOB	SCL 0	1
	SDA 0	2
	GN0	3
	RESET	4
	SIF	5
	MON0	6
	GN0	7
	+5V	8
	R1	9
	L1	10
	R2	11
	L2	12
	GN0	13
	TVR OUT	14
	TVL OUT	15
	R OUT	16
	L OUT	17
	+9V	18

TO A BOARD
CN101



KV-29X5B ONLY

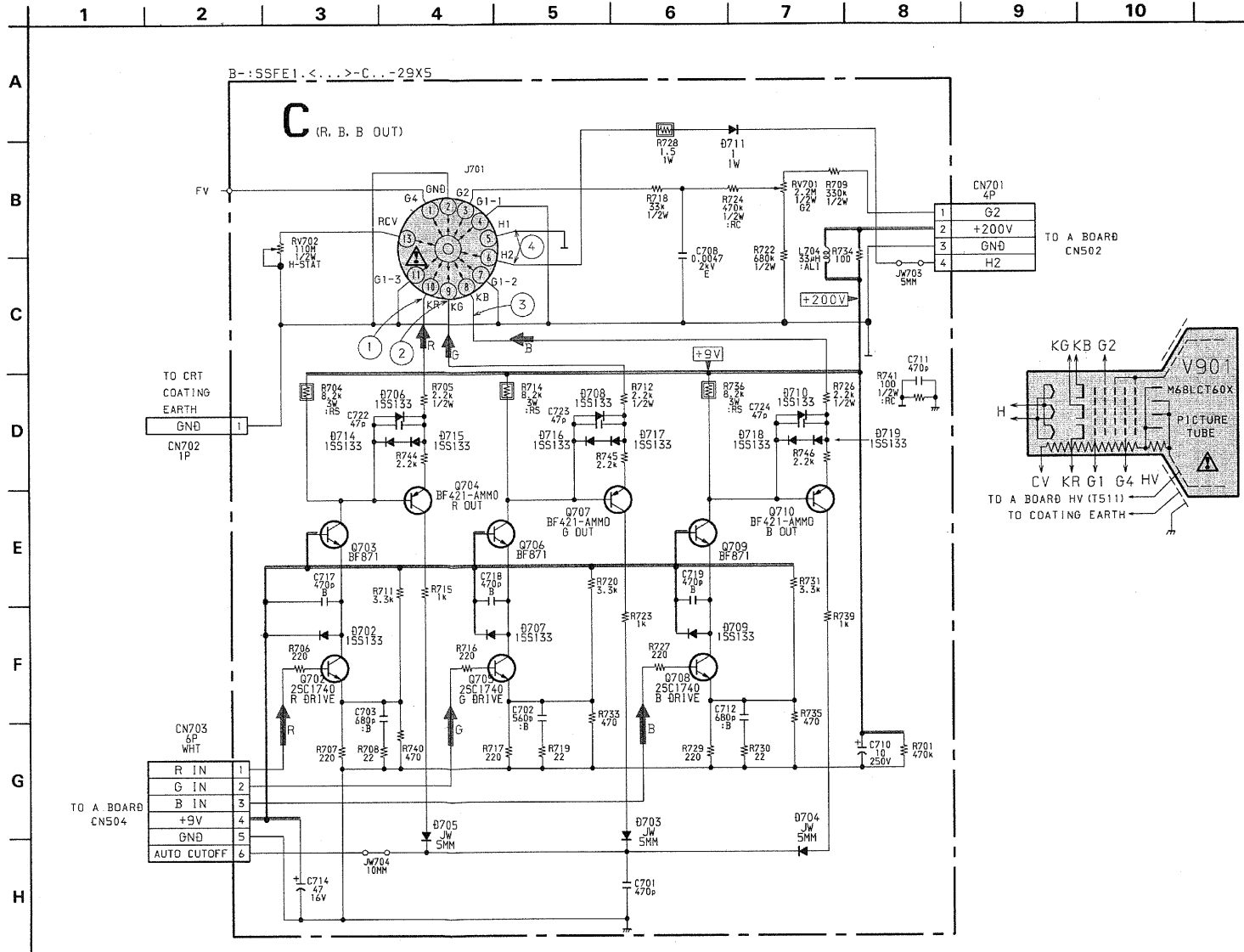
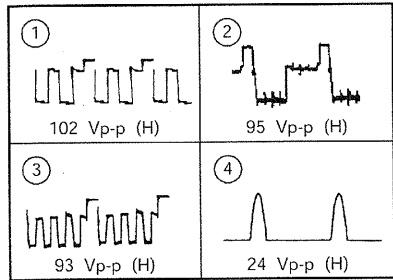


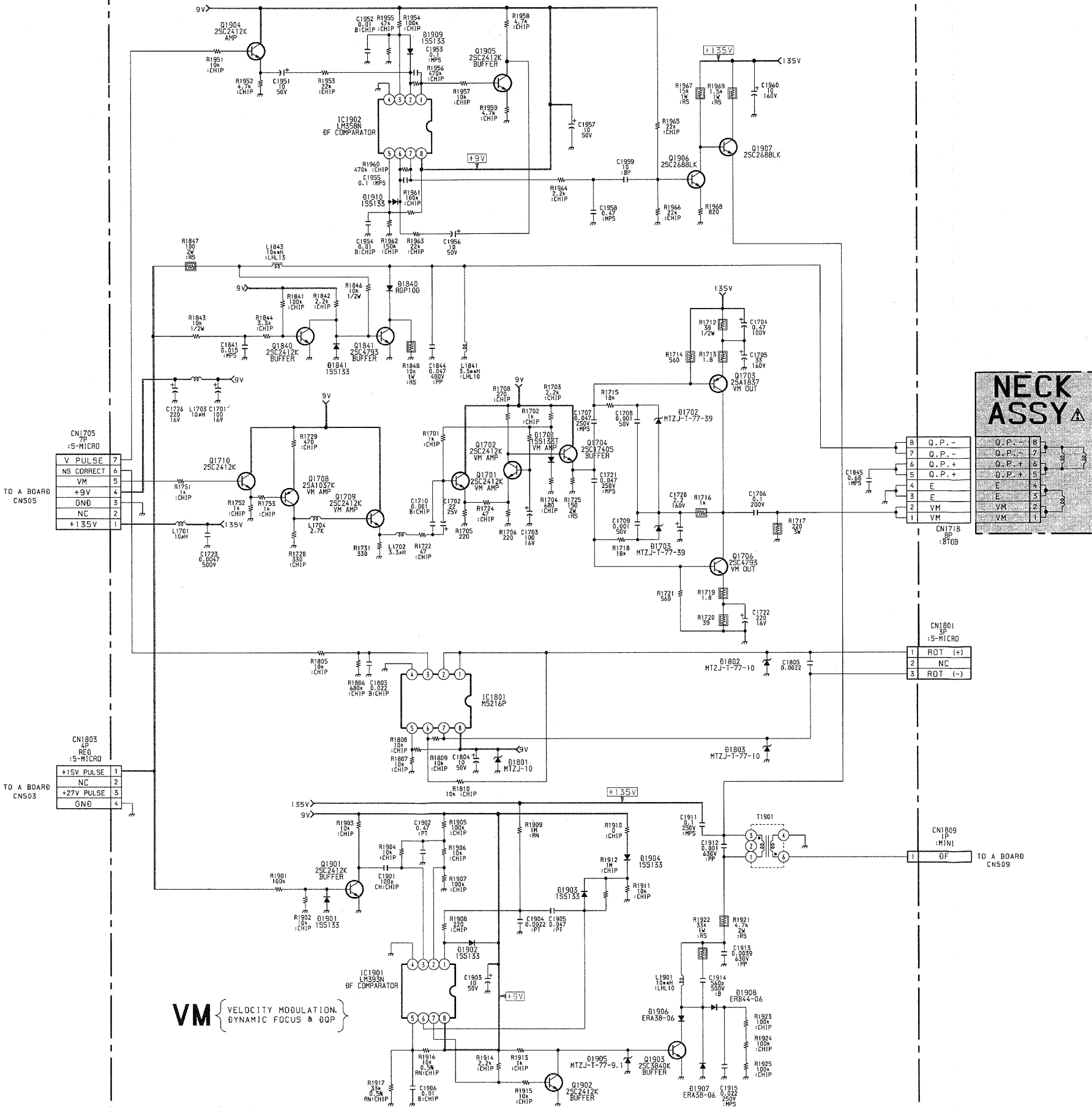
A { POWER SUPPLY, DEFLECTION, TUNING, PROCESSOR, VIDEO SIGNAL PROCESSOR, AV IN/OUT }

C BOARD TRANSISTOR VOLTAGE TABLE

Transistor Voltage Table			
Ref No	(B) Base	(C) Collector	(E) Emitter
Q702	1.5	8.3	1.1
Q703	8.8	169.8	8.3
Q704	169.5	1.9	209.5
Q705	1.5	8.3	1.1
Q706	8.8	170.7	8.3
Q707	170.5	1.9	215.7
Q708	1.5	8.3	1.0
Q709	8.9	171.3	8.3
Q710	171.2	1.9	206.3

WAVEFORMS C BOARD





VM BOARD IC VOLTAGE TABLE

IC Voltage Table		
Ref No	Pin No	Voltage (V)
IC1801	1-3	5.0
	5-6	4.3
	7	3.7
	8	8.0
IC1901	9	4.8
	1	1.7
	2	4.0
	3	4.5
	5	6.7
	6	6.8
	7	3.6
	8	8.0
IC1902	1-3	2.8
	5-6	5.2
	7	5.0
	8	8.0

VM BOARD TRANSISTOR VOLTAGE TABLE

Transistor Voltage Table			
Ref No	(B) Base	(C) Collector	(E) Emitter
Q1701	2.4	8.7	1.8
Q1702	2.4	6.5	1.8
Q1703	133.4	52.0	133.8
Q1704	8.7	8.5	5.8
Q1706	0.8	52.0	0.5
Q1708	5.0	2.1	5.6
Q1709	5.4	8.0	4.7
Q1710	5.6	8.0	5.0
Q1840	-0.3	4.7	-
Q1901	0.4	1.3	-
Q1902	0.4	0.3	-
Q1903	0.3	62.0	-
Q1904	-	8.0	0.1
Q1905	2.7	6.5	2.2
Q1906	4.0	68.8	3.4
Q1907	68.7	122.2	68.2
	Gate	Drain	Source
Q1841	4.7	18.0	-