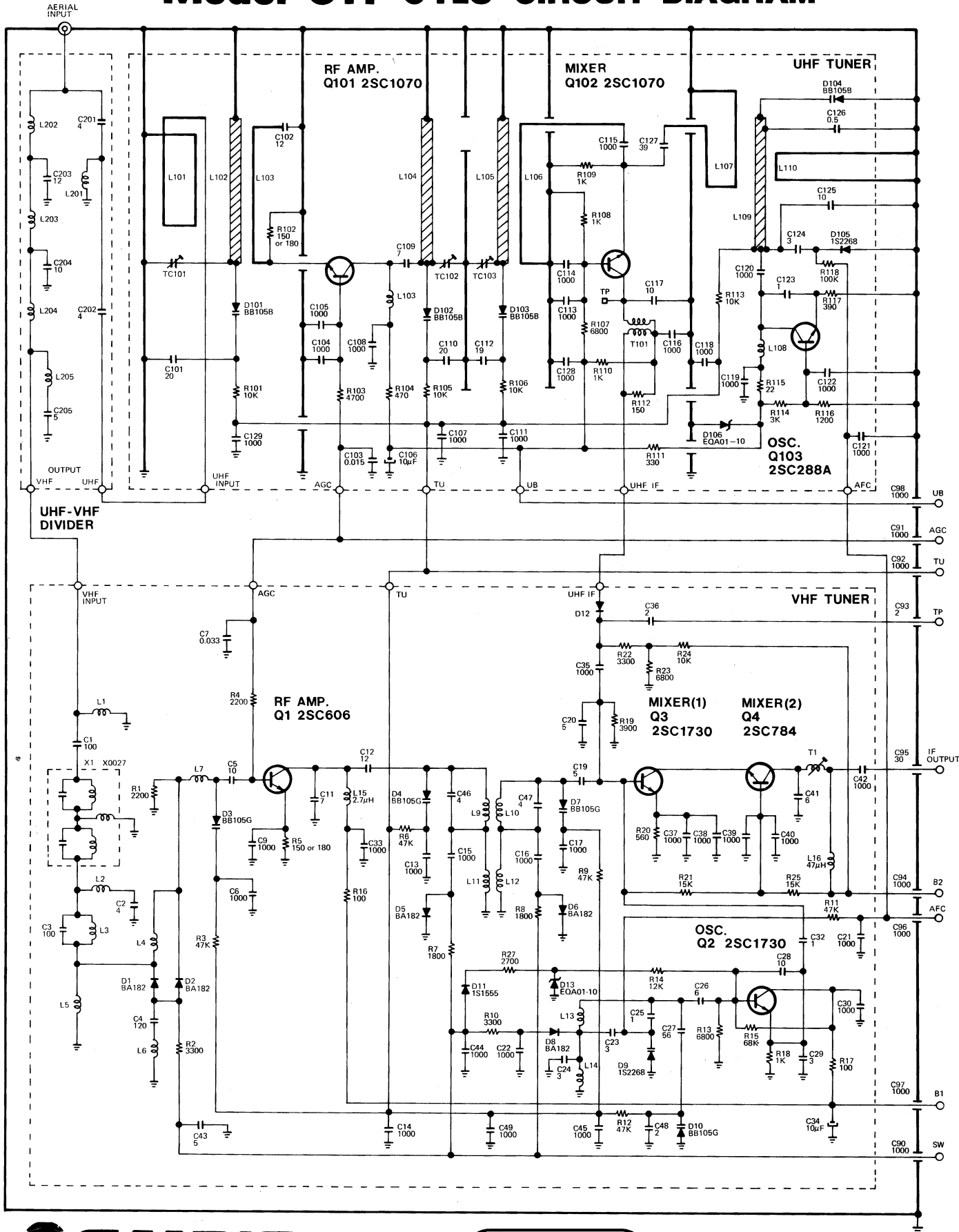


Model CTP 6413 CIRCUIT DIAGRAM



SANYO ELECTRIC CO., LTD.
SANYO ELECTRIC TRADING CO., LTD.



www.microelectronic.co.yu

SIGNAL UNIT

1ST PIF AMP. Q101 2SC382W

2ND PIF AMP. Q102 2SC382W

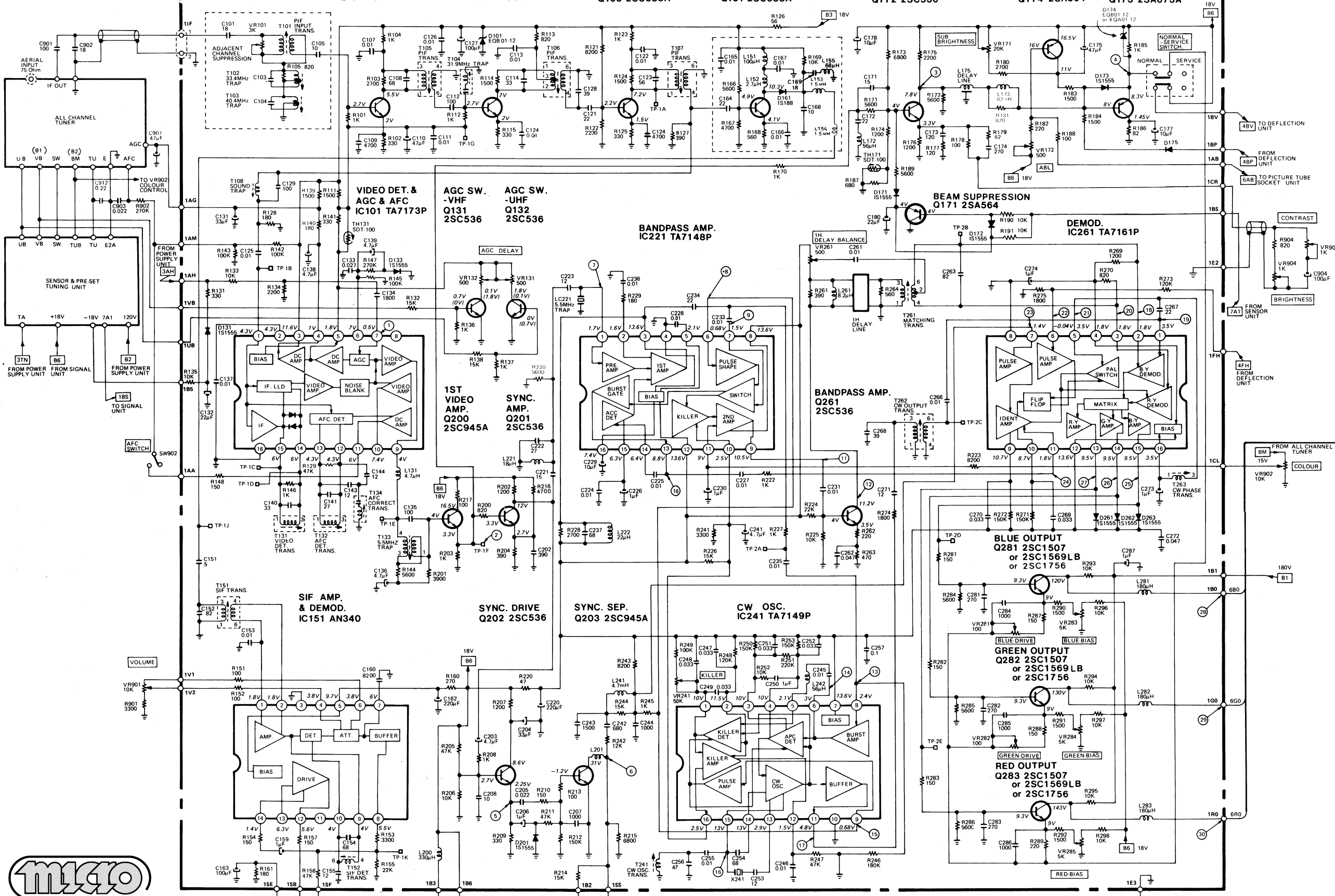
3RD PIF AMP. Q103 2SC388A

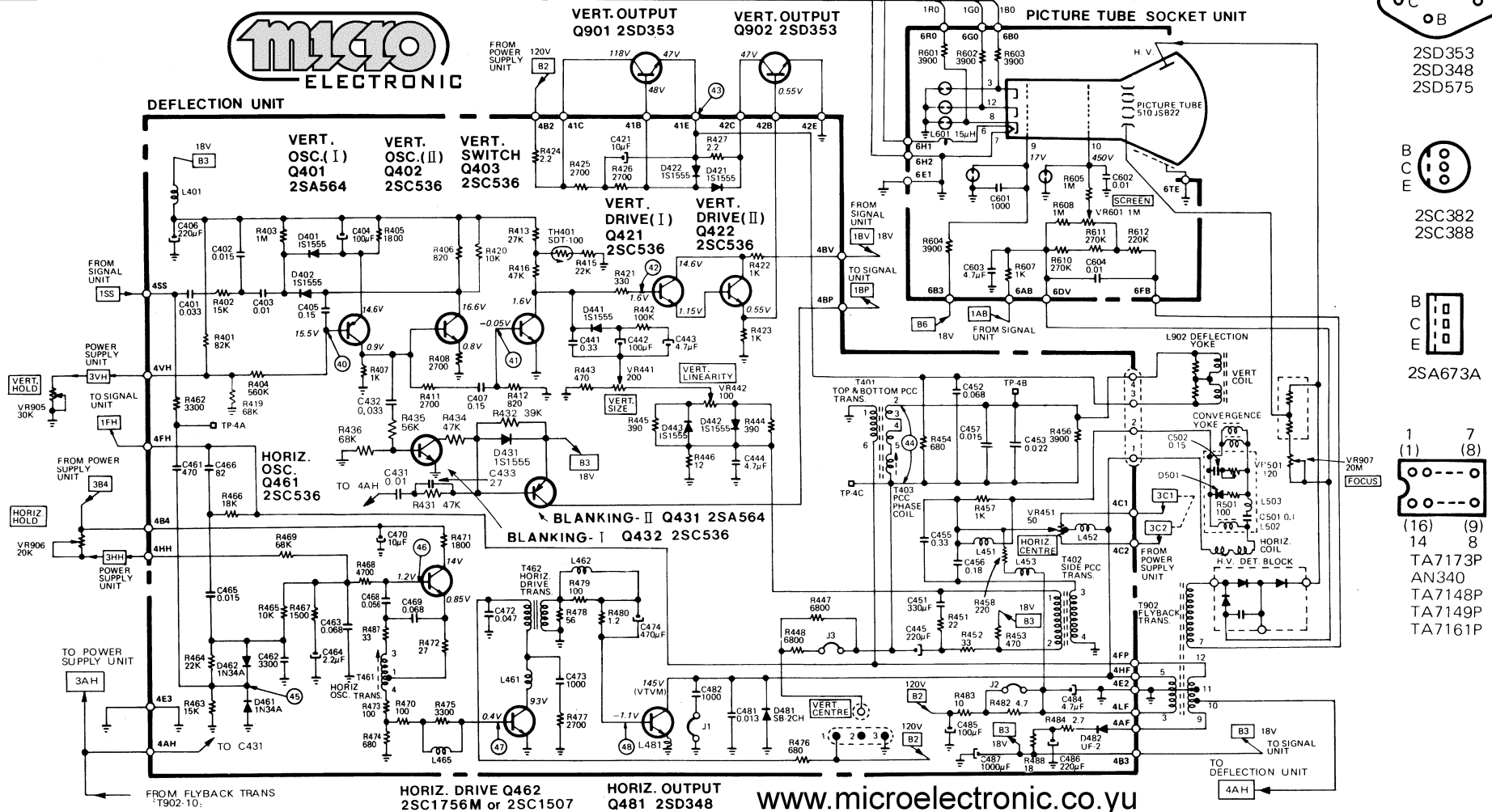
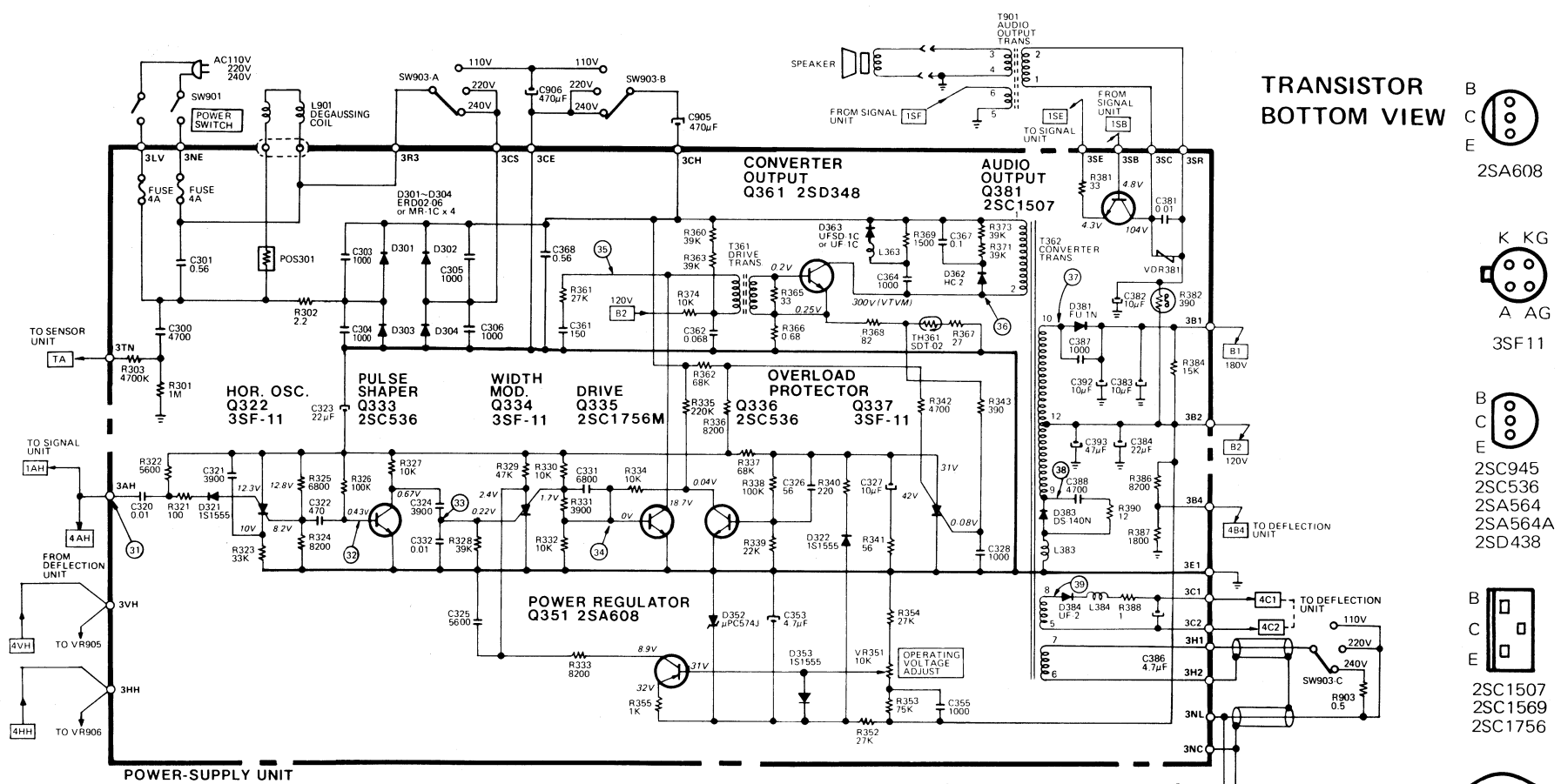
SIF PRE-AMP. Q151 2SC388A

2ND VIDEO AMP. Q172 2SC536

ABL Q174 2SA564

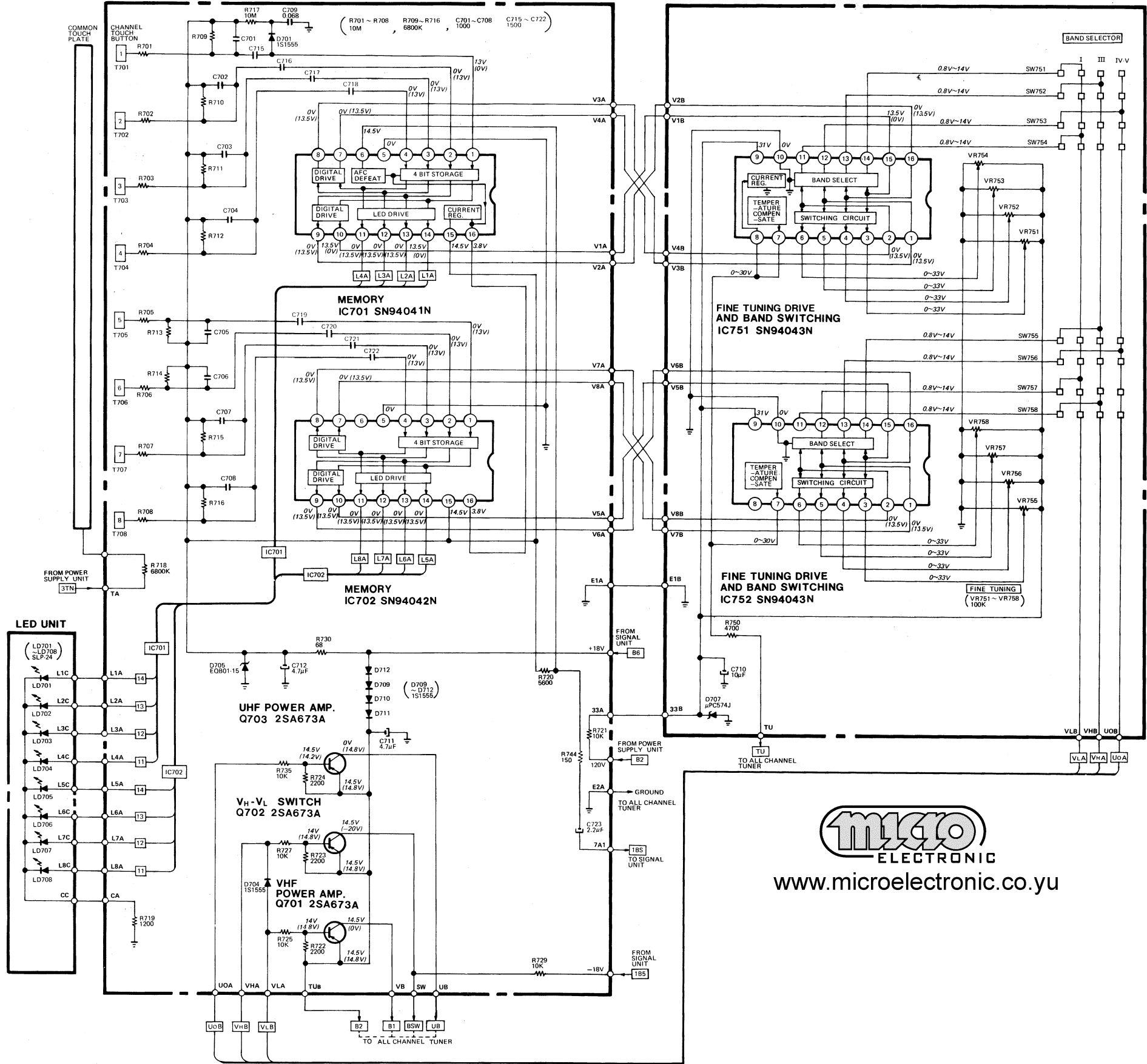
3RD VIDEO AMP. Q173 2SA673A





SENSOR UNIT

PRE-SET TUNING UNIT



www.microelectronic.co.yu