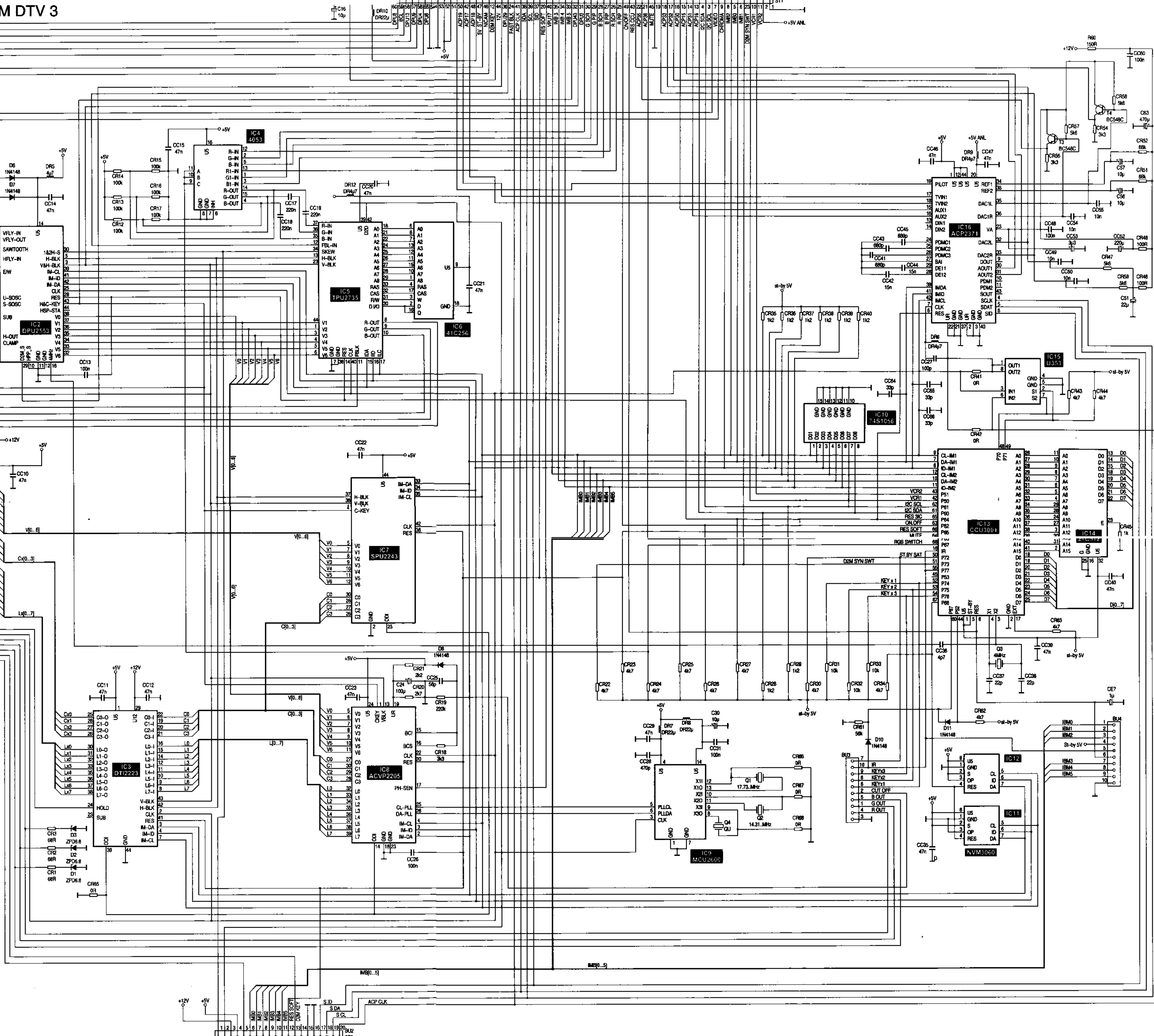
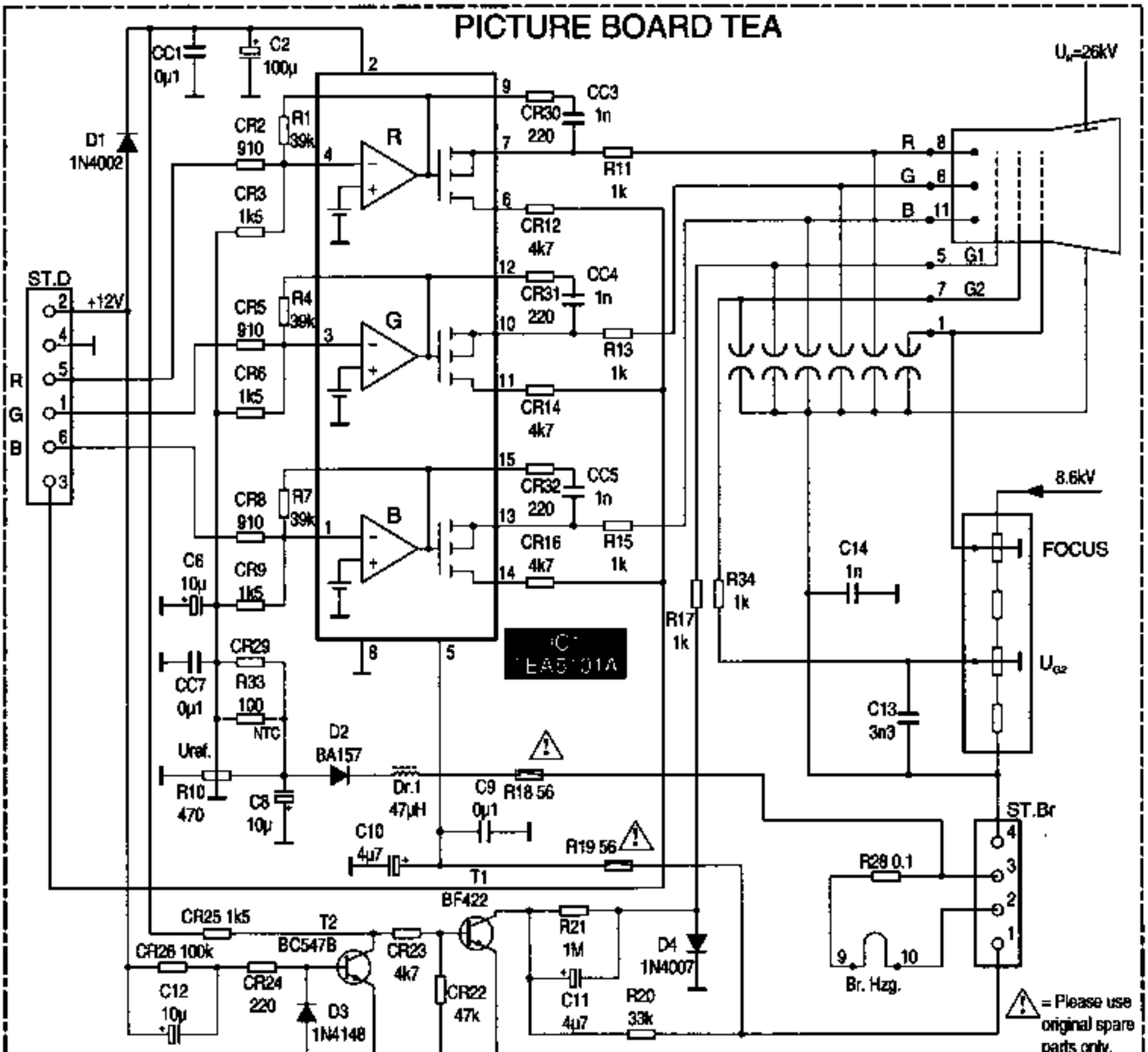
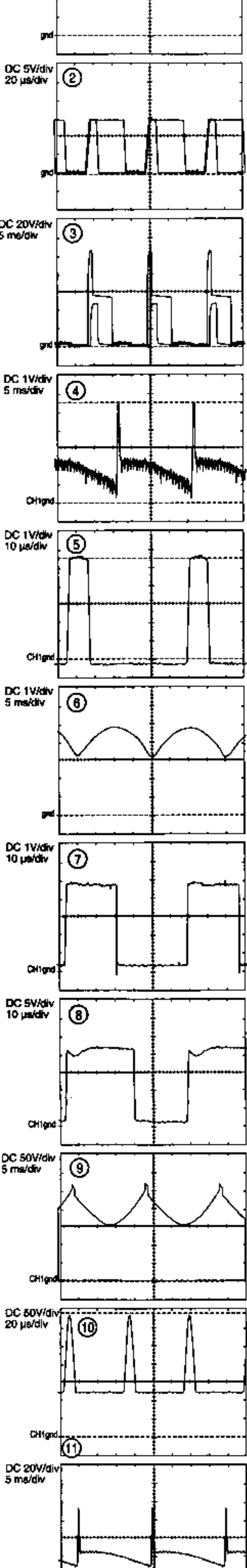


DIGI BOARD CIRCUIT DIAGRAM DTV 3

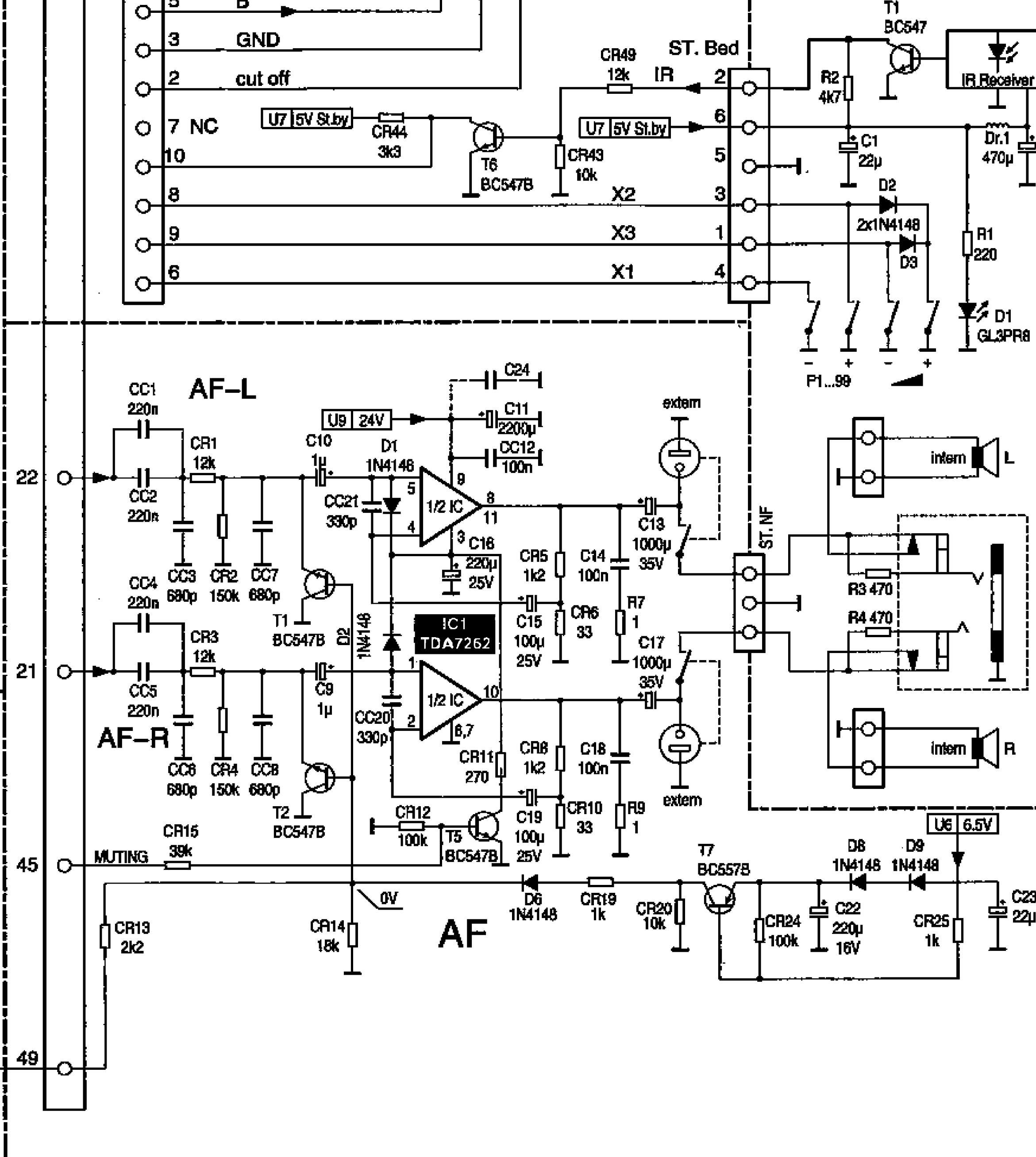
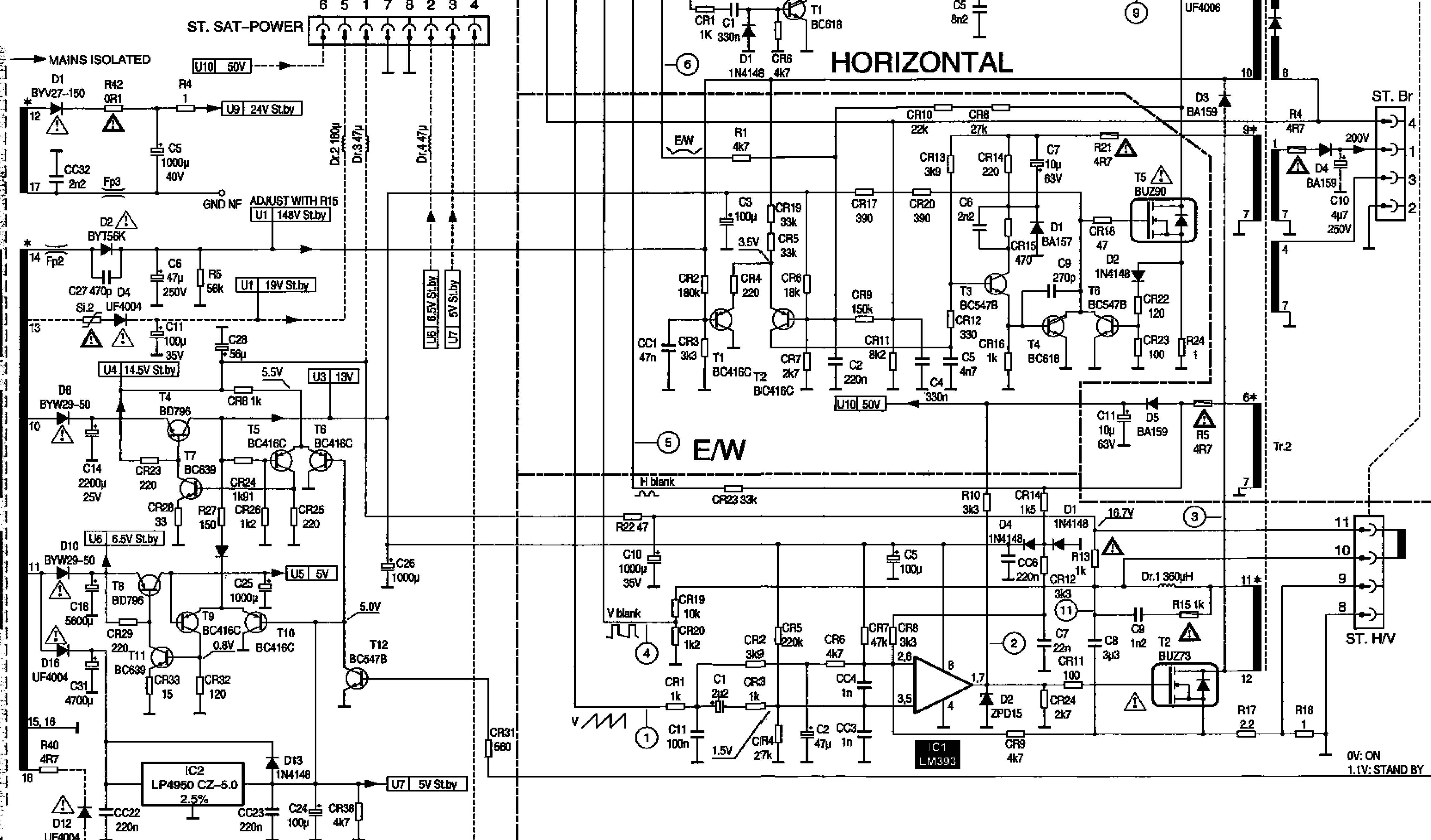
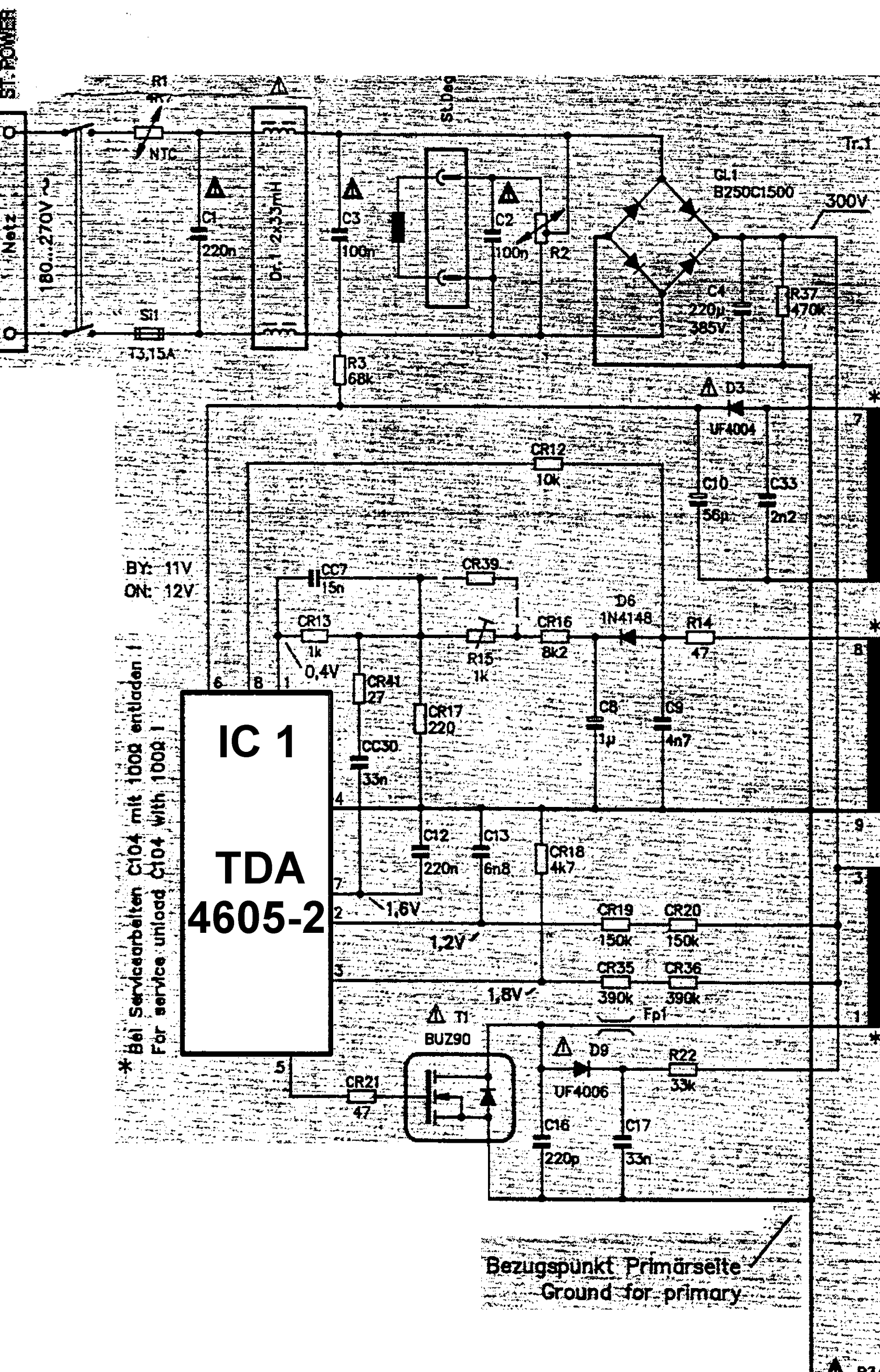
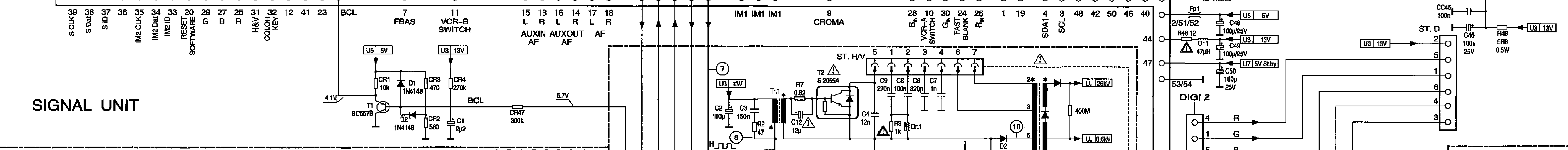
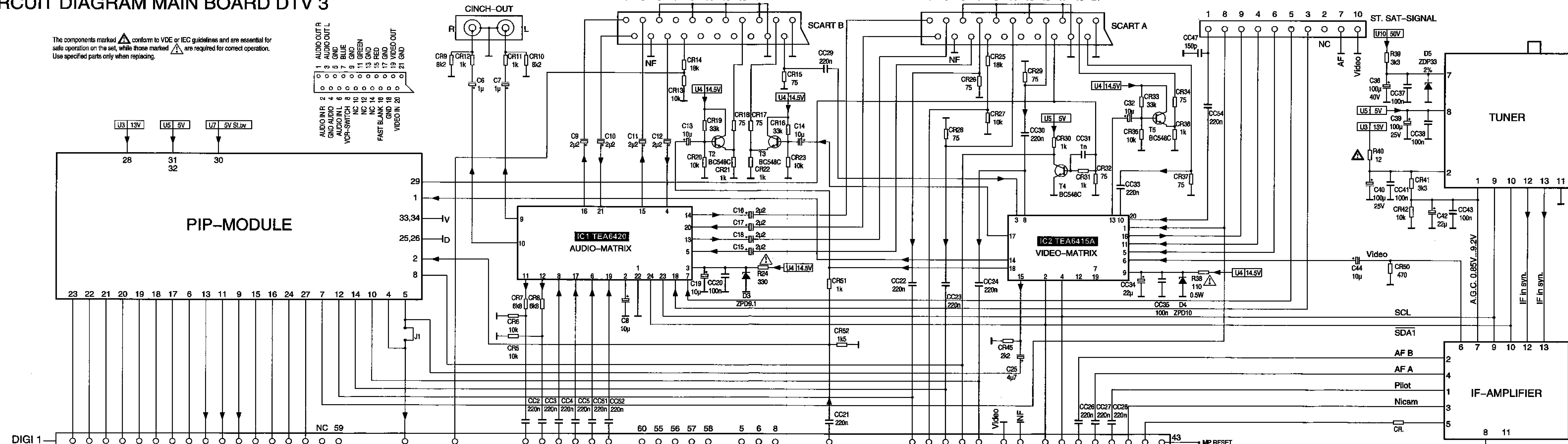


Please use original spare parts only.

CIRCUIT DIAGRAM MAIN BOARD DTV 3

The components marked Δ conform to VDE or IEC guidelines and are essential for safe operation on the set, while those marked \triangle are required for correct operation. Use specified parts only when replacing.

- 1 AUDIO IN R
- 2 AUDIO IN L
- 3 GND
- 4 GND
- 5 BLUE
- 6 GND
- 7 GREEN
- 8 GND
- 9 GND
- 10 GND
- 11 RED
- 12 GND
- 13 GND
- 14 GND
- 15 GND
- 16 GND
- 17 GND
- 18 GND
- 19 VIDEO IN
- 20 GND
- 21 GND



Power - supply
Vorrn. 1
Key number 1