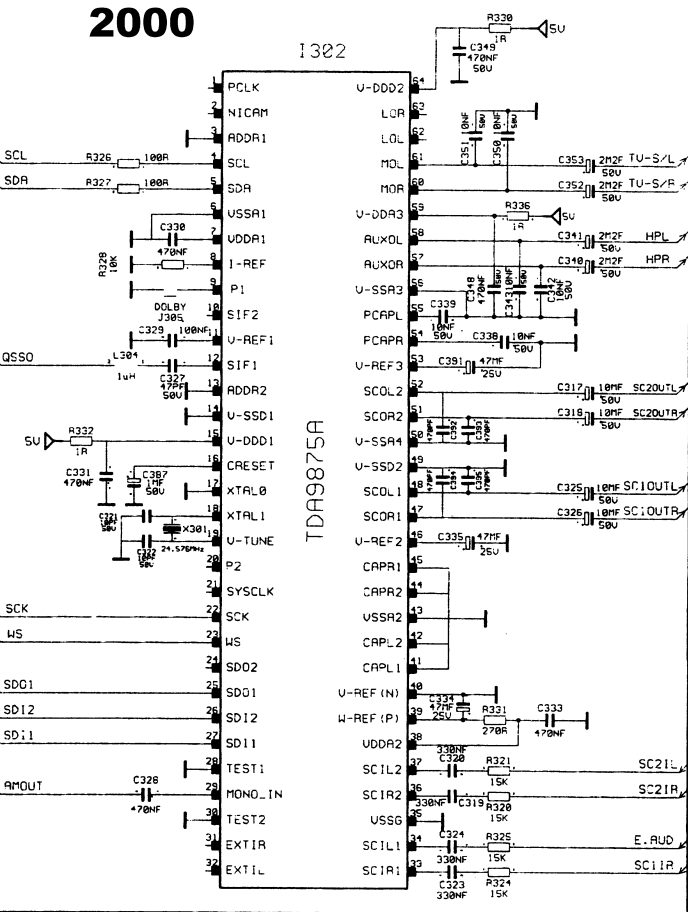
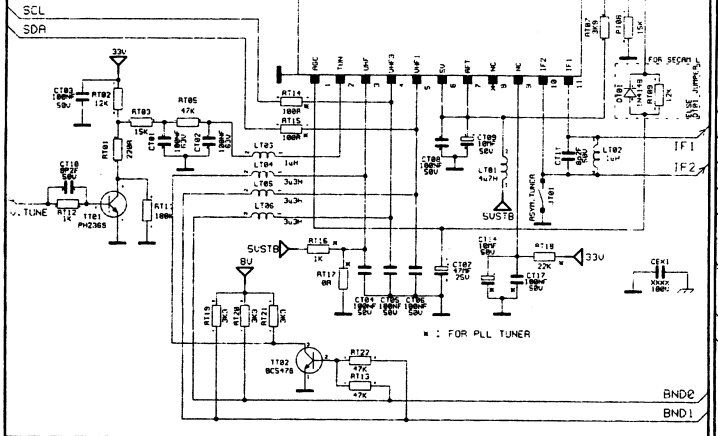


# PROSONIC 2000

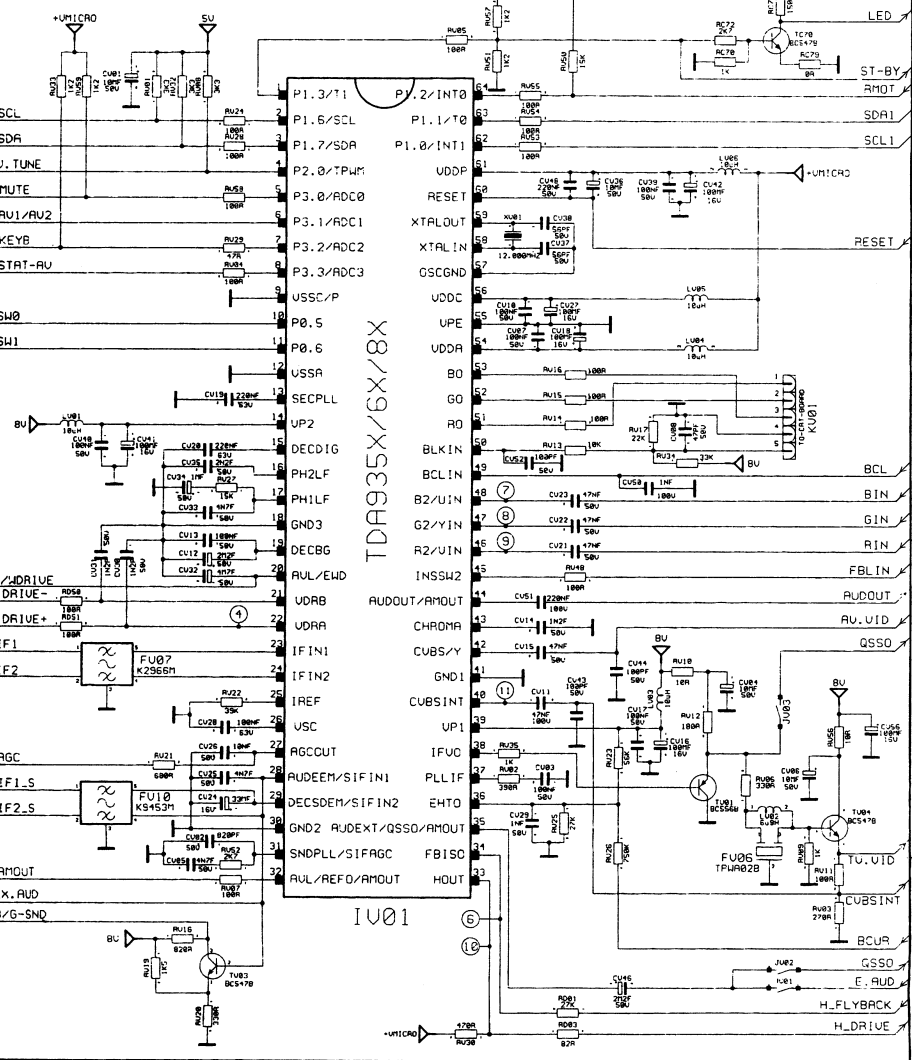
## SOUND PROCESSOR



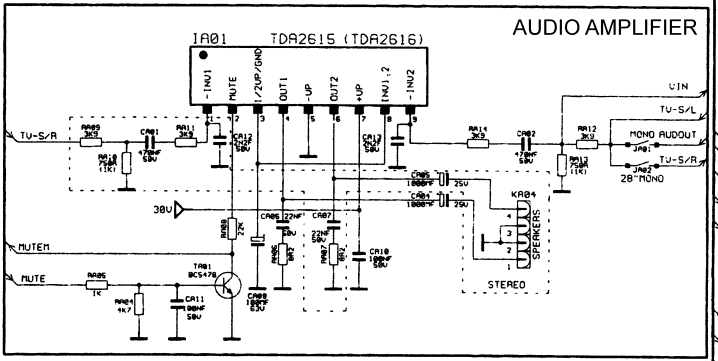
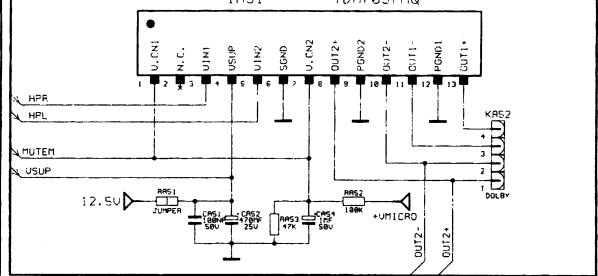
## TUNER



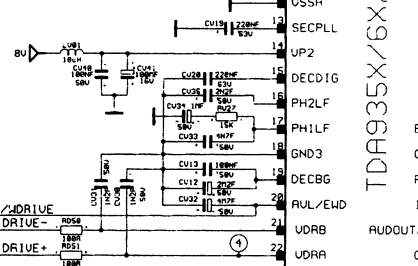
## CONTROLLER+VIDEO PROCESSOR



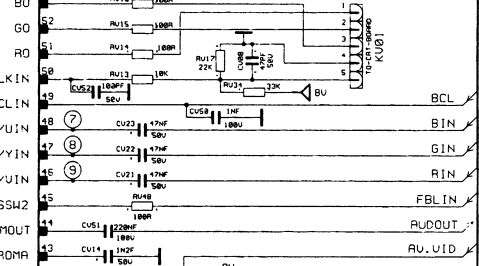
## DOLBY AMPLIFIER



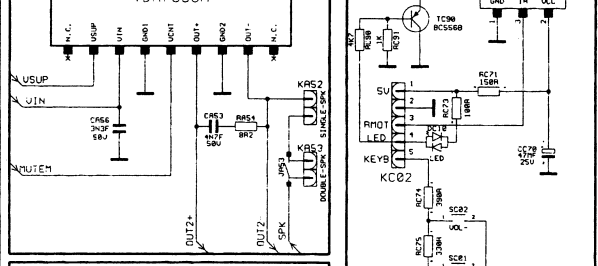
## MONO/OPT.



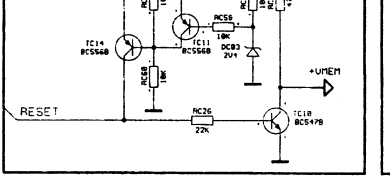
## SERVICE



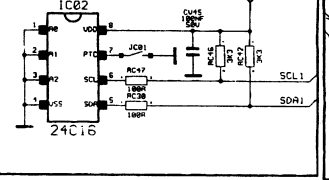
## INFRARED MODULE



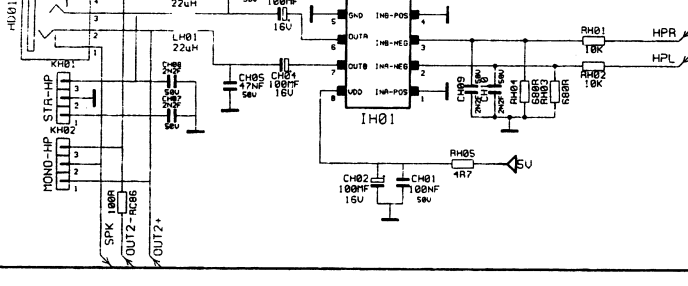
## RESET



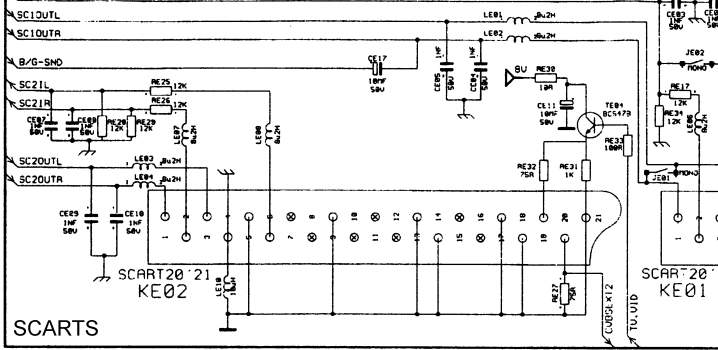
## EEPROM



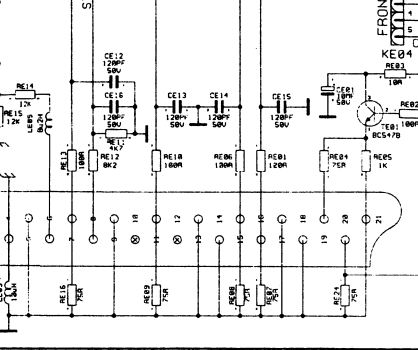
## HEADPHONE AMPLIFIER



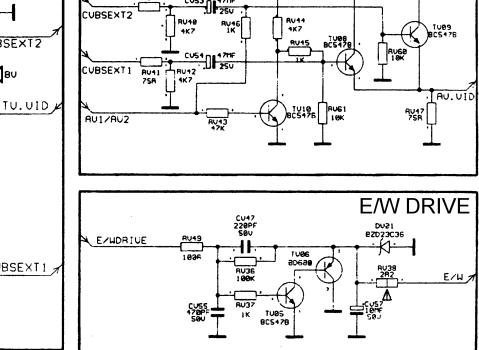
## SCARTS



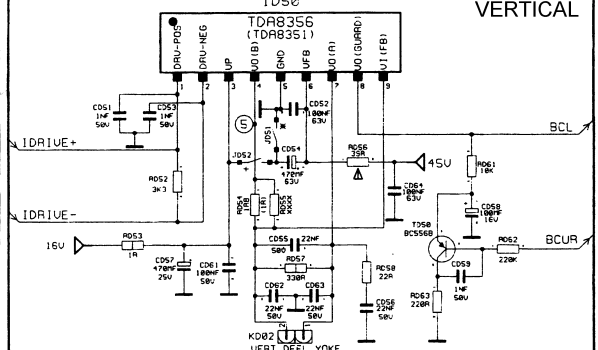
## VIDEO SWITCH



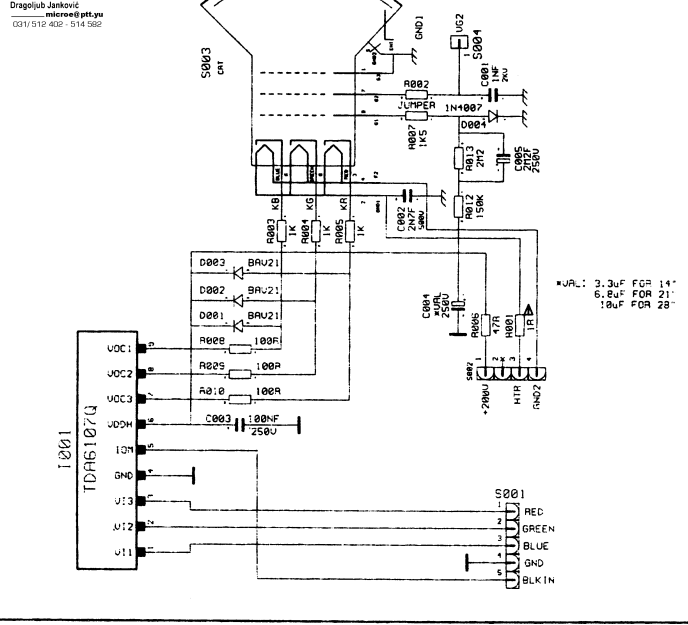
## EW DRIVE



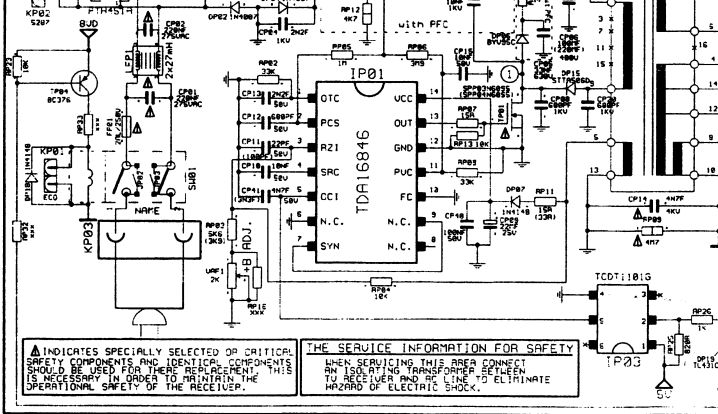
## VERTICAL



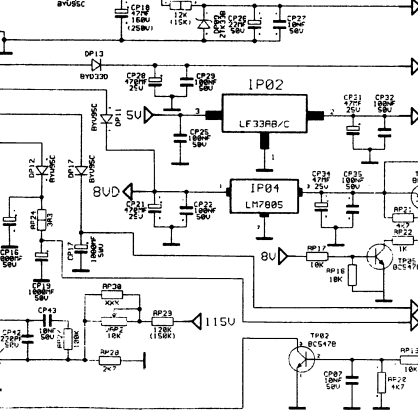
## CRT BOARD



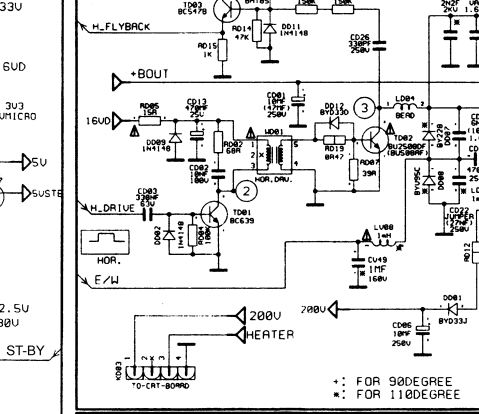
## POWER SUPPLY



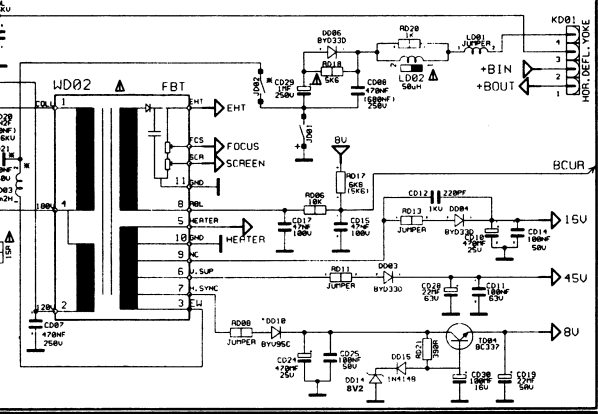
## HORIZONTAL



## HORIZONTAL



## HORIZONTAL



INDICATES SPECIALLY SELECTED OR CRITICAL SAFETY COMPONENTS AND IDENTICAL COMPONENTS SHOULD BE USED FROM THESE RELIABLE SOURCES TO MAINTAIN THE OPERATIONAL SAFETY OF THE RECEIVER.

THE SERVICE INFORMATION FOR SAFETY: WHEN SERVICING THIS AREA, CONNECT AN ISOLATING TRANSFORMER TO ELIMINATE THE RISK OF ELECTRIC SHOCK.