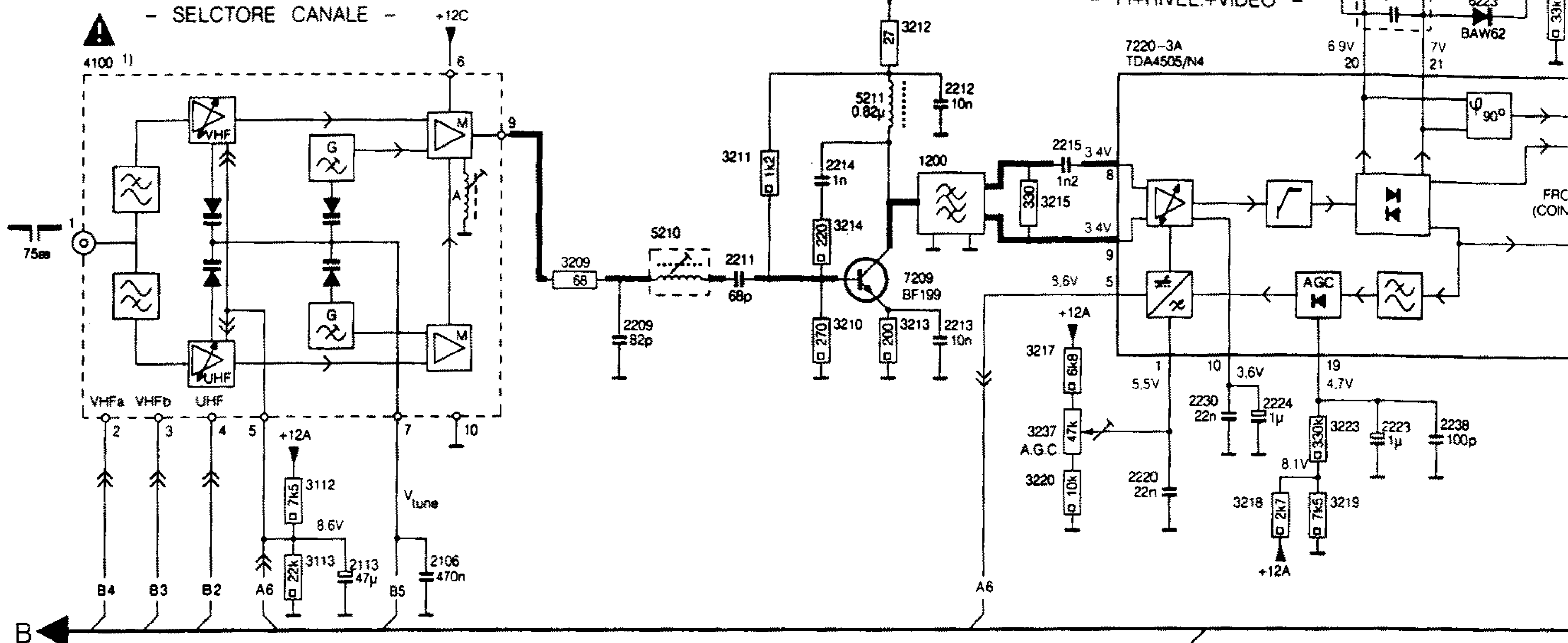


DIAGRAM-SCHALTBIKD-SCHEMA A

- CHANNEL SELECTOR -
- KANALWAHLER -
- SELETORE CANALE -

- IF+AGC+VIDEO -
- ZF+DEM+VIDEO -
- FI+RIVEL.+VIDEO -



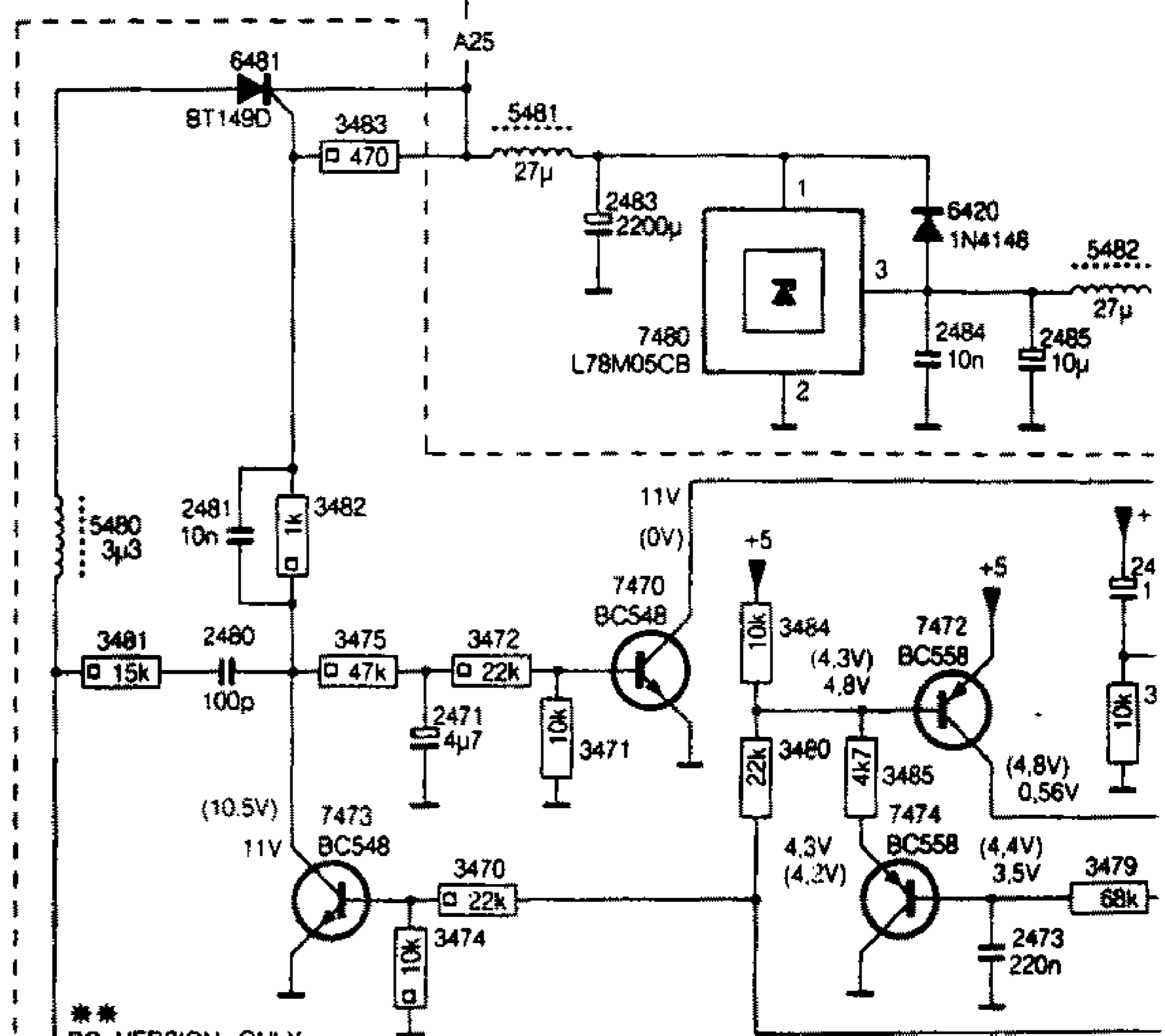
\*\* RC = REMOTE CONTROL  
NRC = NON REMOTE CONTROL

ITEM	RC	NRC	1) FOR /05
2471	+	-	4100 → U411/IEC
2472	+	-	3111 → DELETED
2473	+	-	9301 → ADDED
2480	+	-	1600 → 6MHz
2481	+	-	1220 → 6MHz
3400	+	-	
3470	+	-	
3471	+	-	
3472	+	-	
3474	+	-	
3475	+	-	
3476	+	-	
3477	+	-	
3478	+	-	
3481	+	-	
3482	+	-	
3483	+	-	
3484	+	-	
3478	+	-	
5480	+	-	
6475	+	-	
6476	+	-	
6481	+	-	
7470	+	-	
7471	+	-	
7472	+	-	
7473	+	-	
7474	+	-	
9401	-	+	

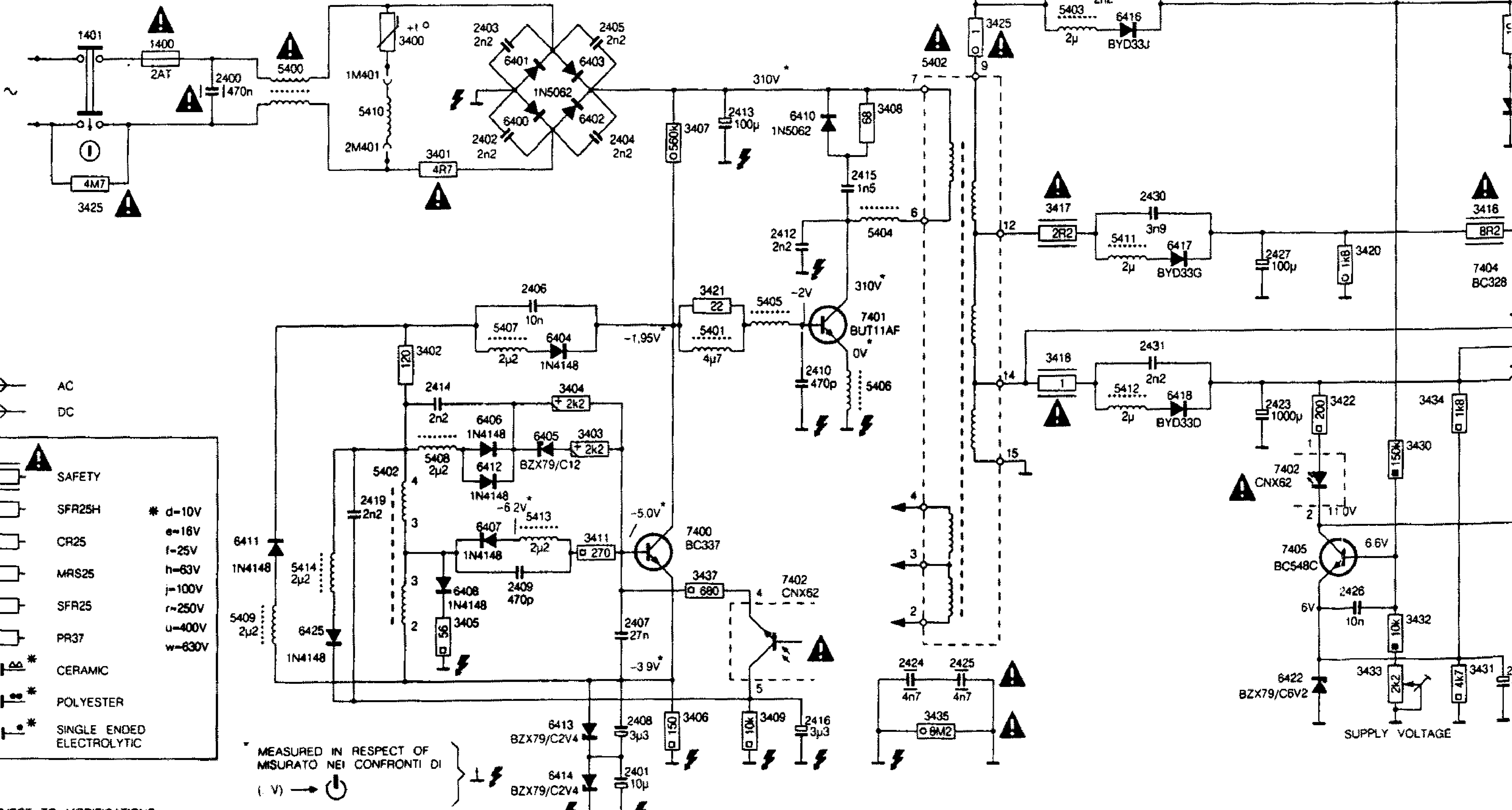
+ - PRESENT  
 - - NOT PRESENT

PHILIPS  
14 CN 2001  
chassis NC-3CR

- POWER SUPPLY -
- SPEISUNG -
- ALIMENTAZIONE -

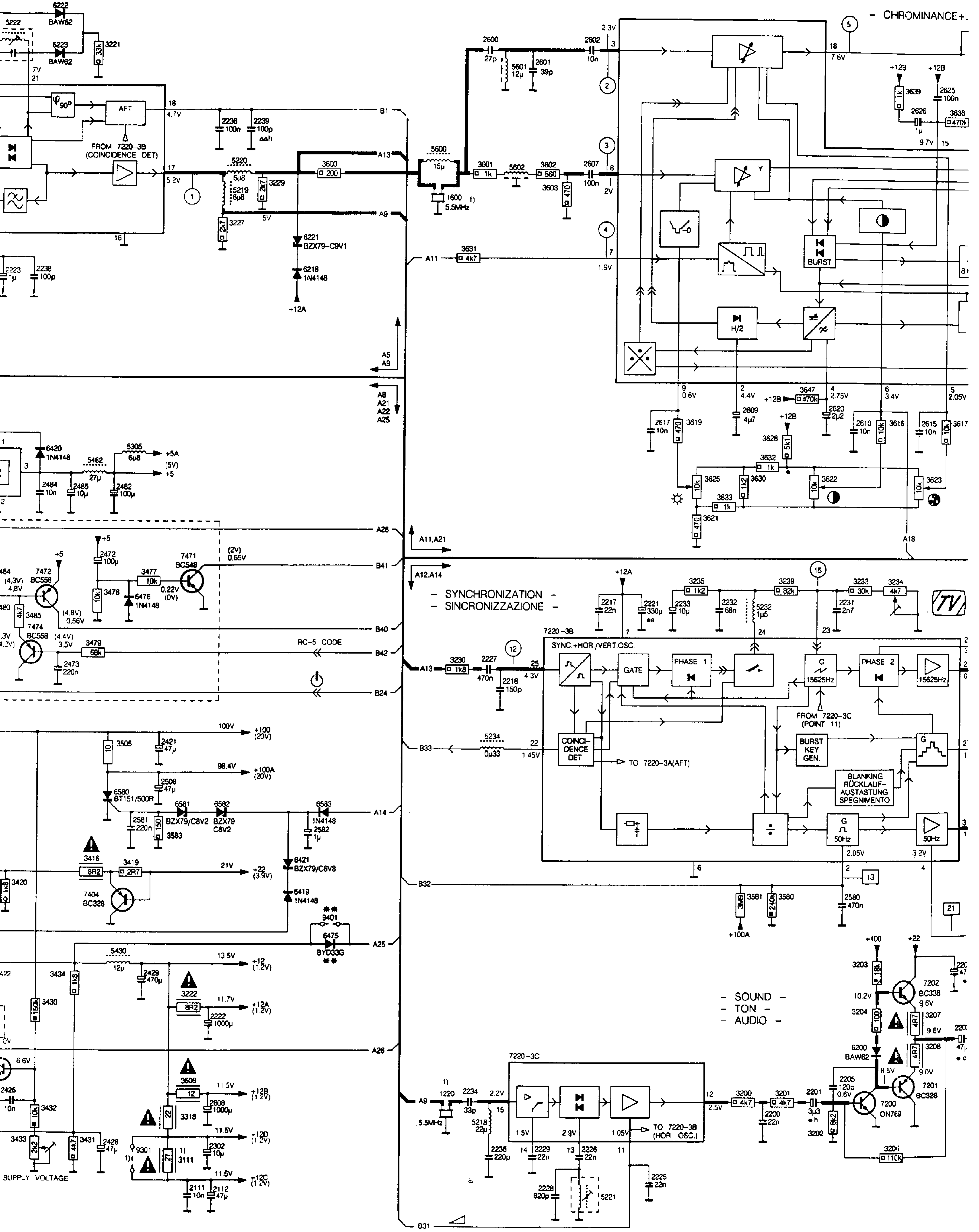


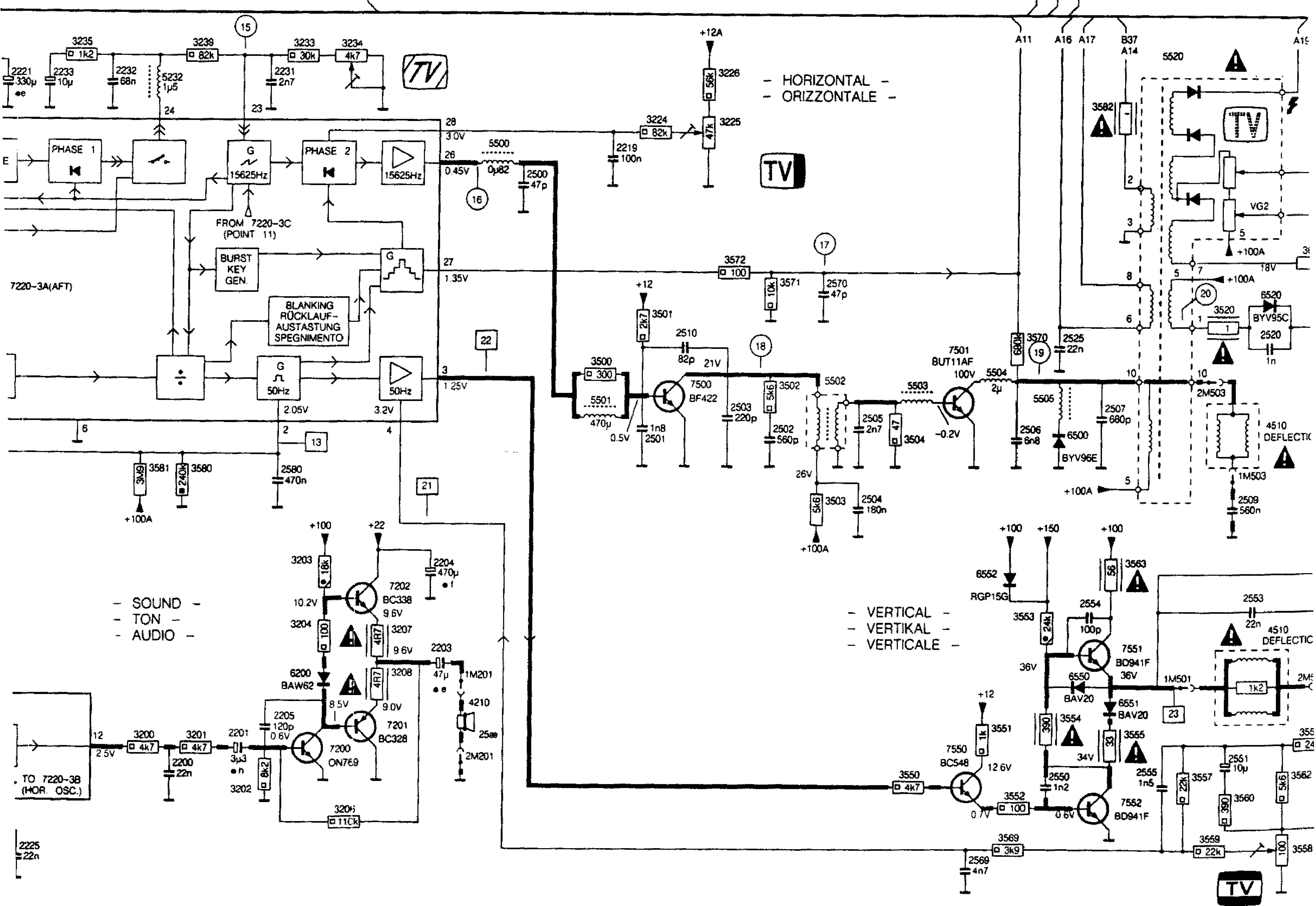
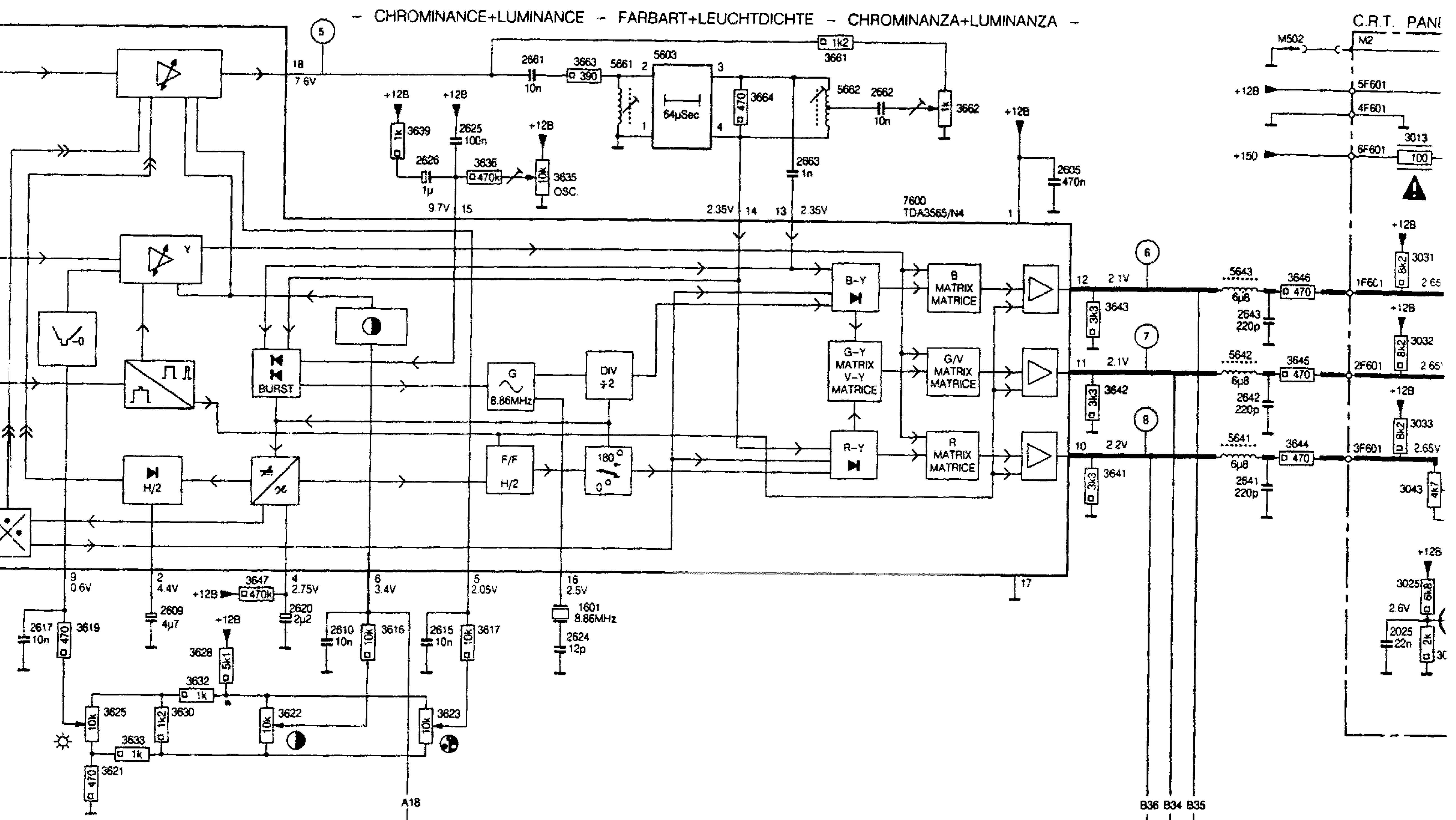
\*\* RC-VERSION ONLY



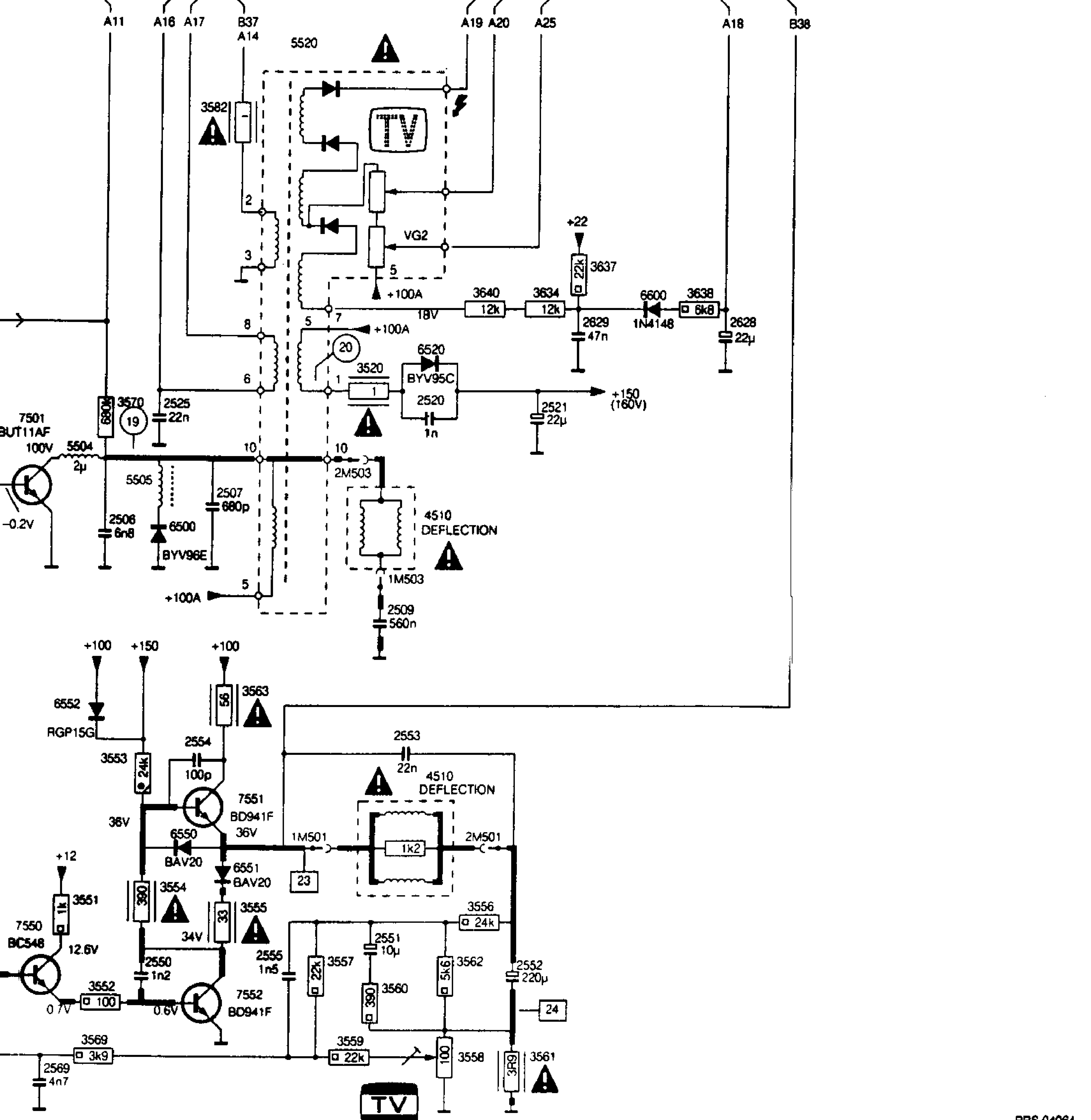
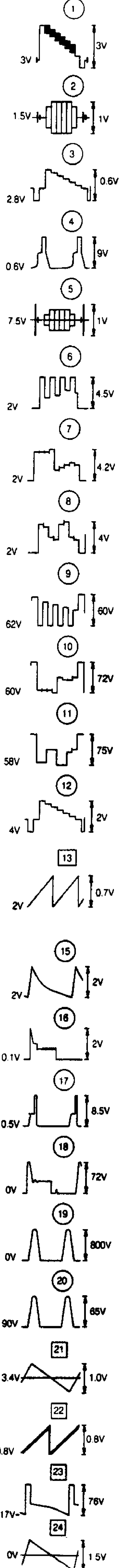
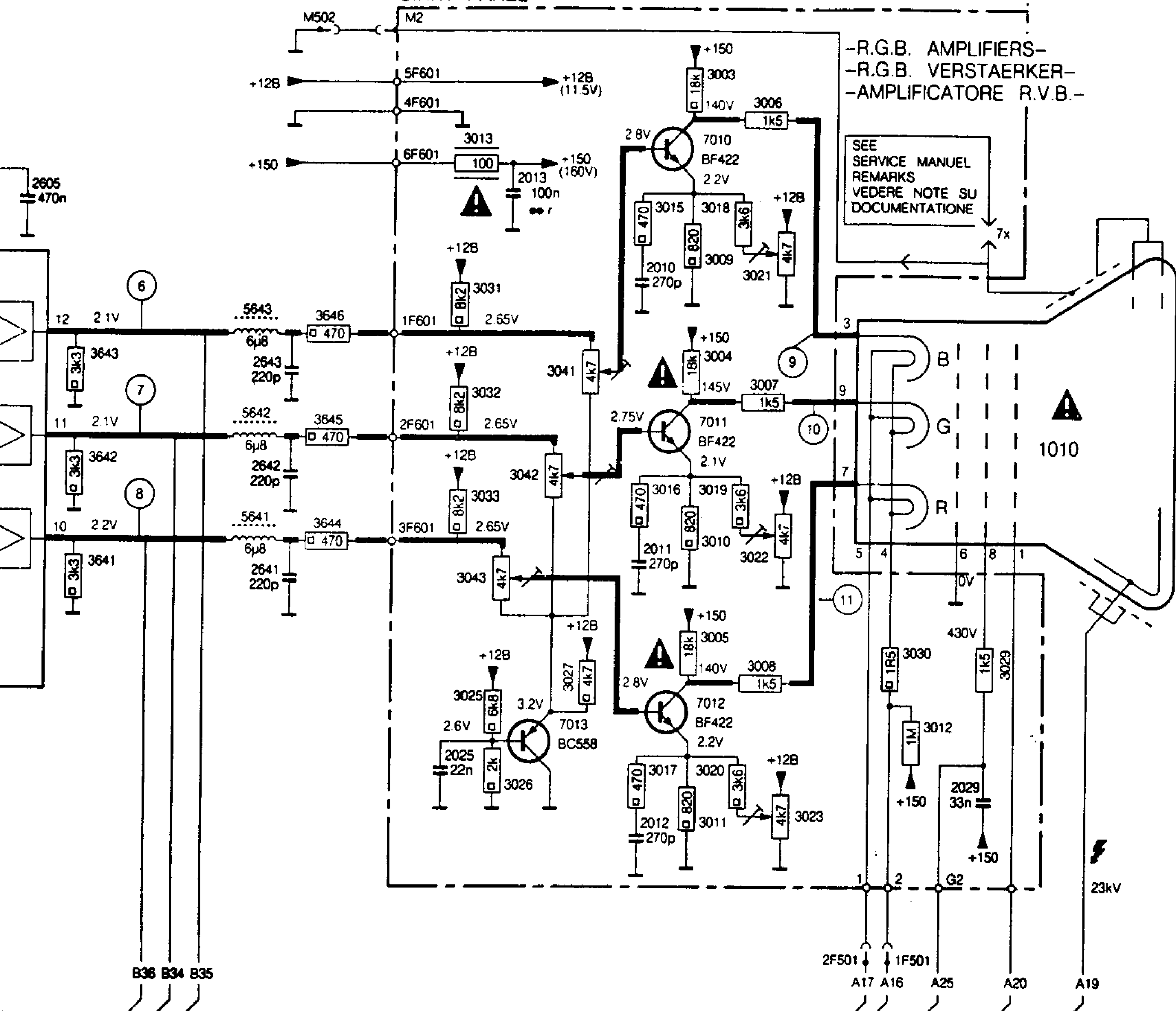
- AC
- DC
- SAFETY
- SFR25H \* d=10V
- CR25 e=16V
- MRS25 f=25V
- SFR25 h=63V
- PR37 i=100V
- CERAMIC j=250V
- POLYESTER k=400V
- SINGLE ENDED ELECTROLYTIC l=630V

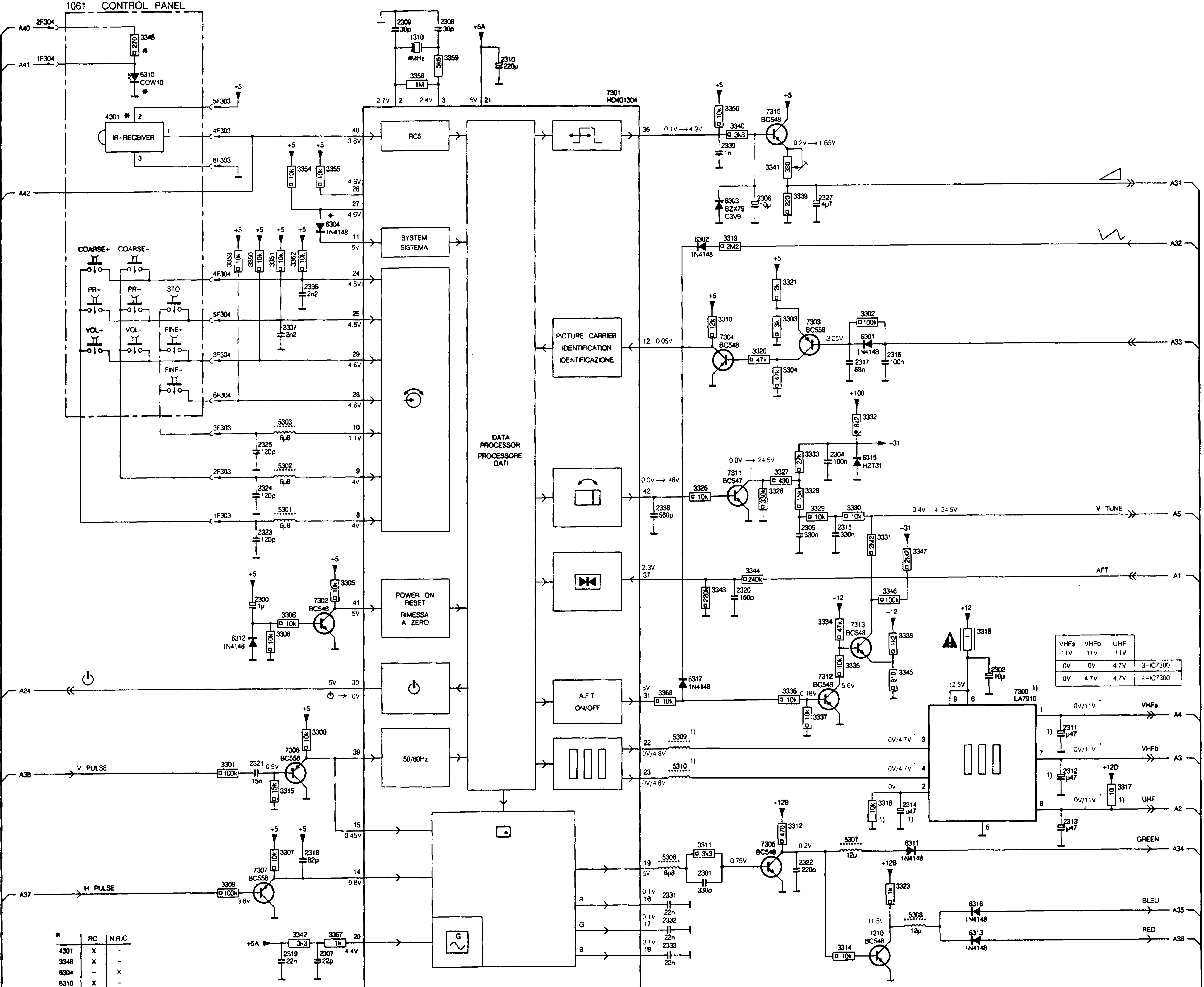
MEASURED IN RESPECT OF MISURATO NEI CONFRONTI DI (V)





C.R.T. PANEL





*	RC	N.R.C
4301	X	-
3348	X	-
6304	-	X
6310	X	-

1) FOR /05 ONLY  
 2311,2312,2314,3316,5309,5310 AND 7300 DELETED  
 2313 CHANGED INTO 22 n (ceramic)  
 3317 ADDED

VHFa	VHFb	UHF	
11V	11V	11V	
0V	0V	4.7V	3-IC7300
0V	4.7V	4.7V	4-IC7300