

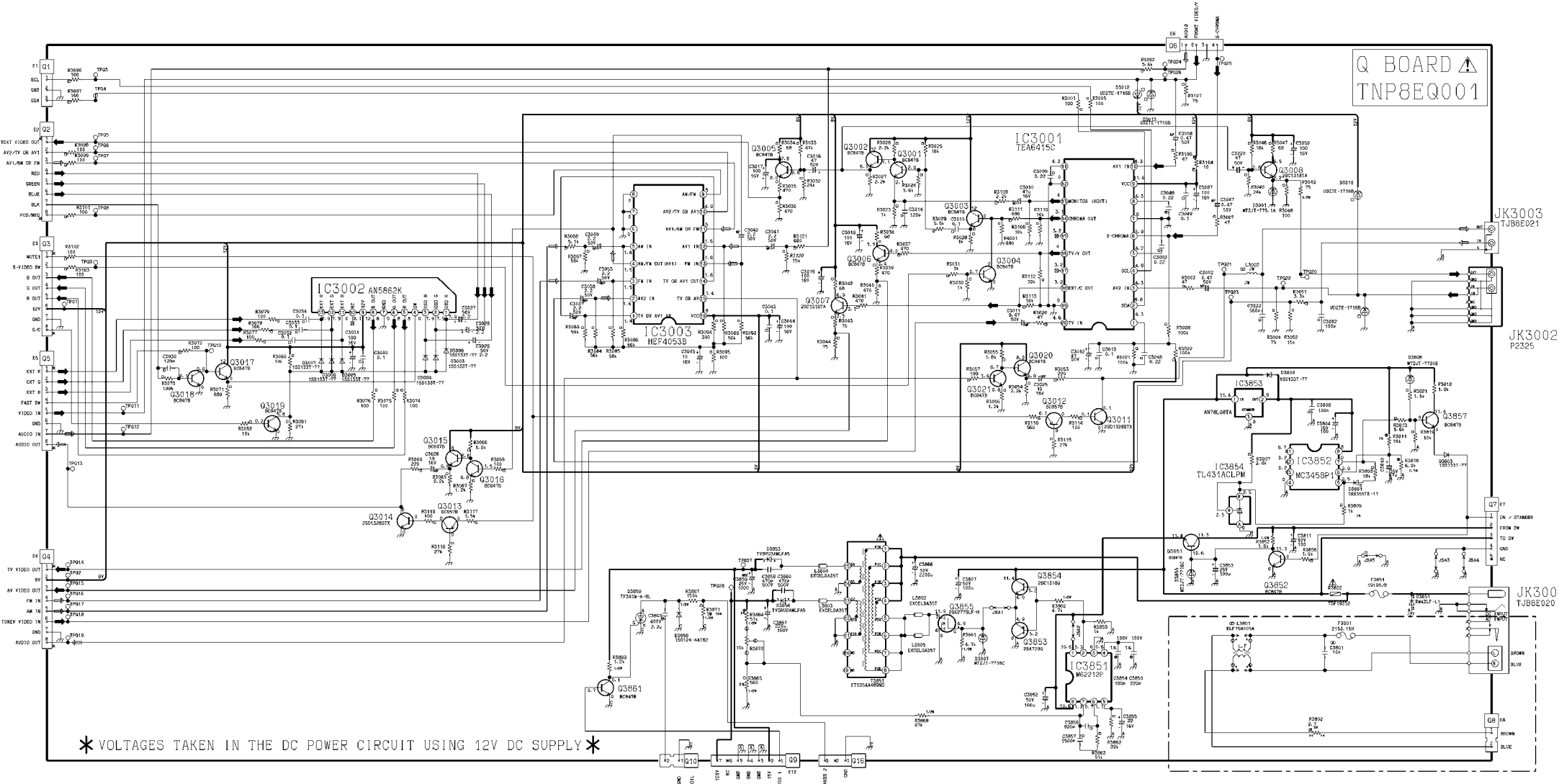
E BOARD  
TNP8EE010

JK3201  
TJ816663

JK3202  
TJ88E022

JK3101  
TJ88E011

**Q BOARD**   
**TNP8EQ01**



JK3003  
TJ86E021

JK3002  
P2325

JK3001  
TJ86E020

\* VOLTAGES TAKEN IN THE DC POWER CIRCUIT USING 12V DC SUPPLY \*

