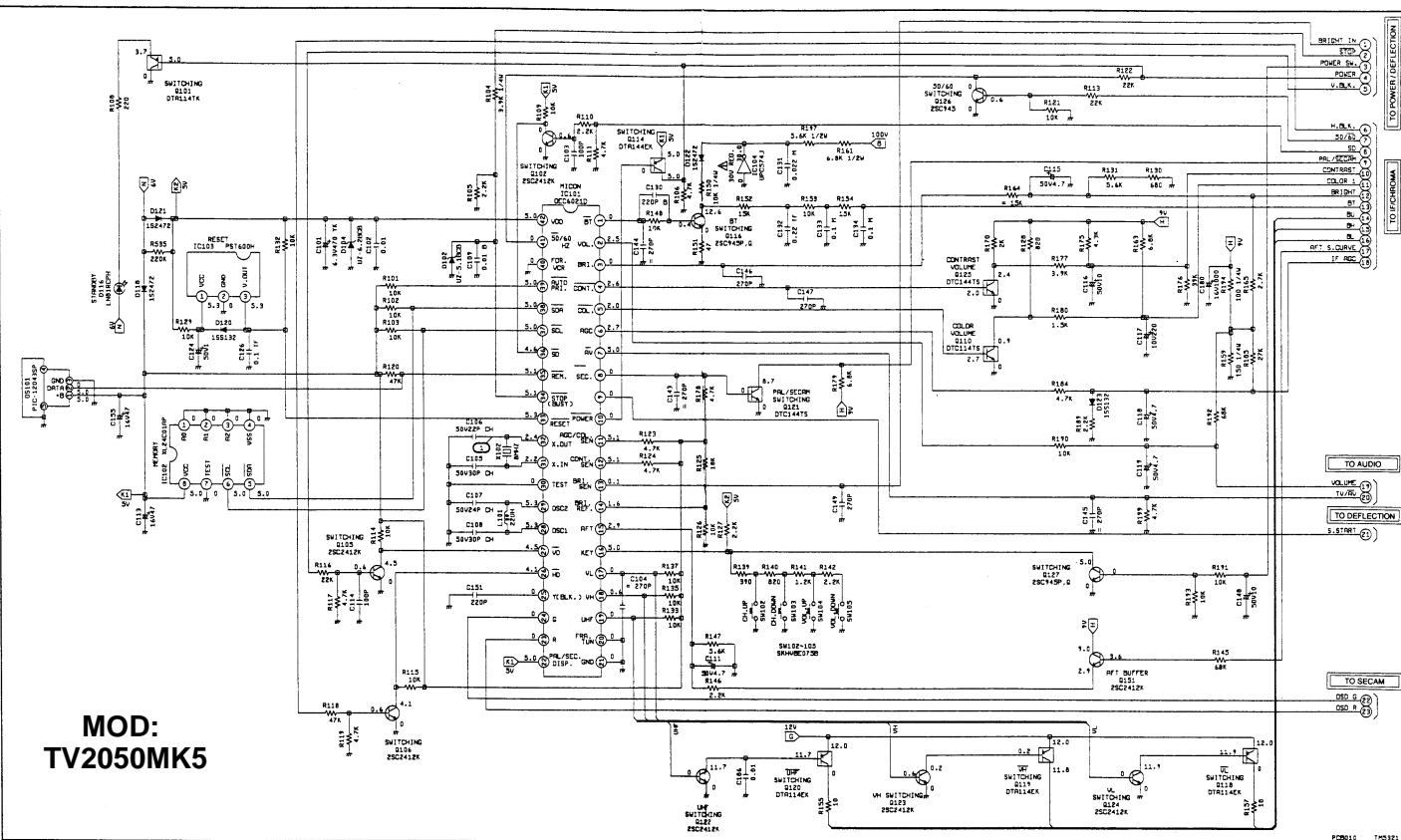


# CHASSIS SCHEMATIC DIAGRAM

TR11  
EVR-231511

TR12  
UP-4103

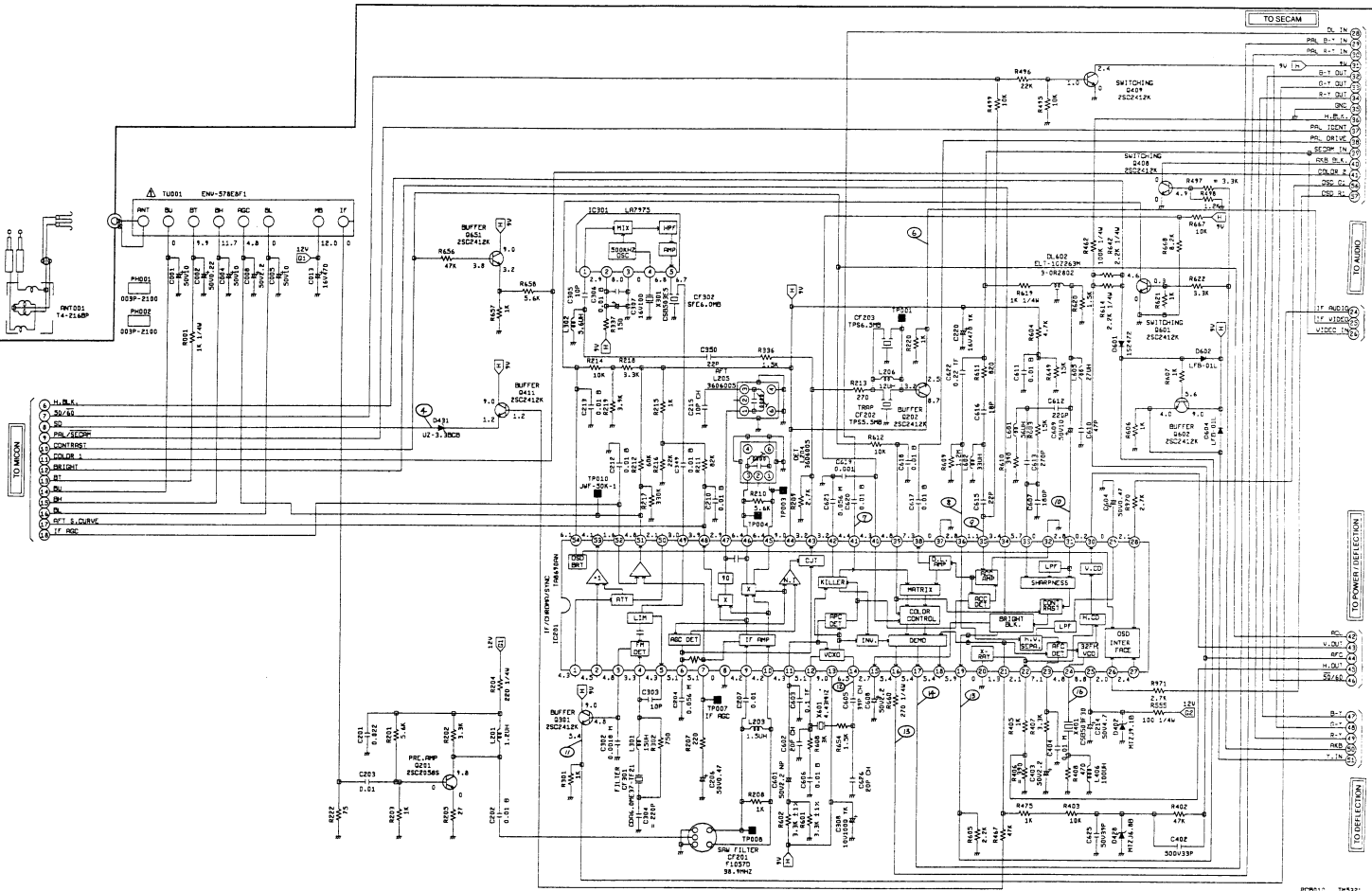
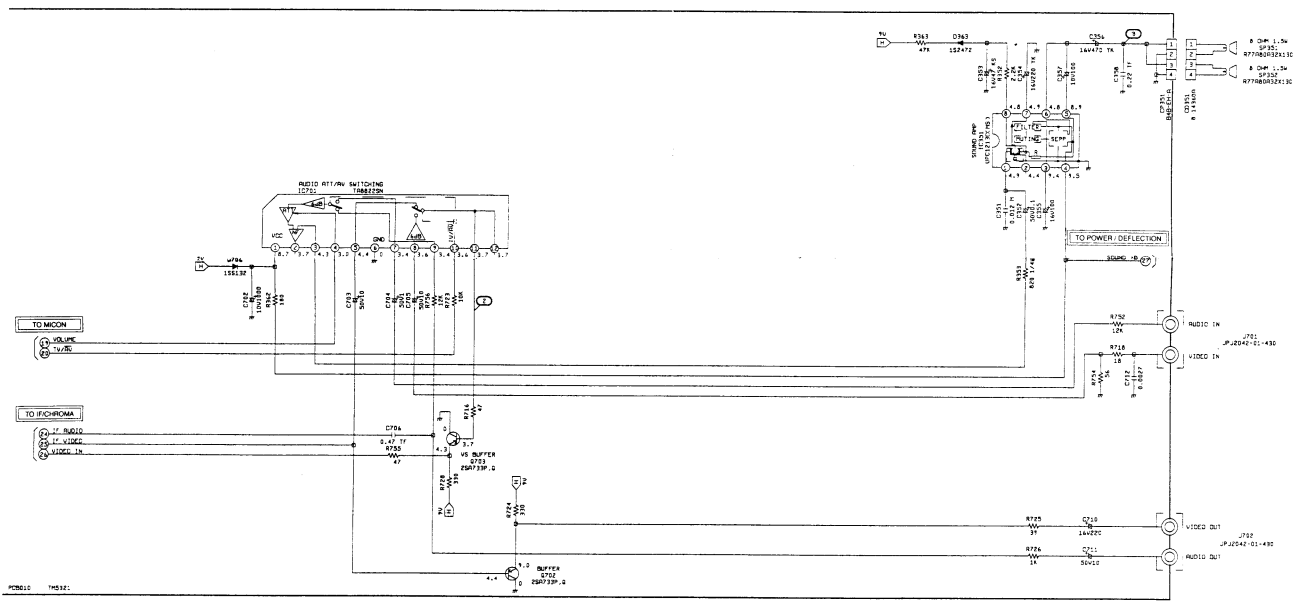
TR13  
UP-4103



**MOD:**  
**TV2050MK5**

NOTATION: DIGITAL TRANSISTOR

NOTATION: DIGITAL TRANSISTOR



NOTE: THIS SCHEMATIC DIAGRAM IS THE LATEST AT THE TIME OF PRINTING AND SUBJECT TO CHANGE WITHOUT NOTICE.

CAUTION: SINCE THESE PARTS MARKED BY  ARE CRITICAL FOR SAFETY, USE ONES DESCRIBED ON PARTS LIST ONLY.



