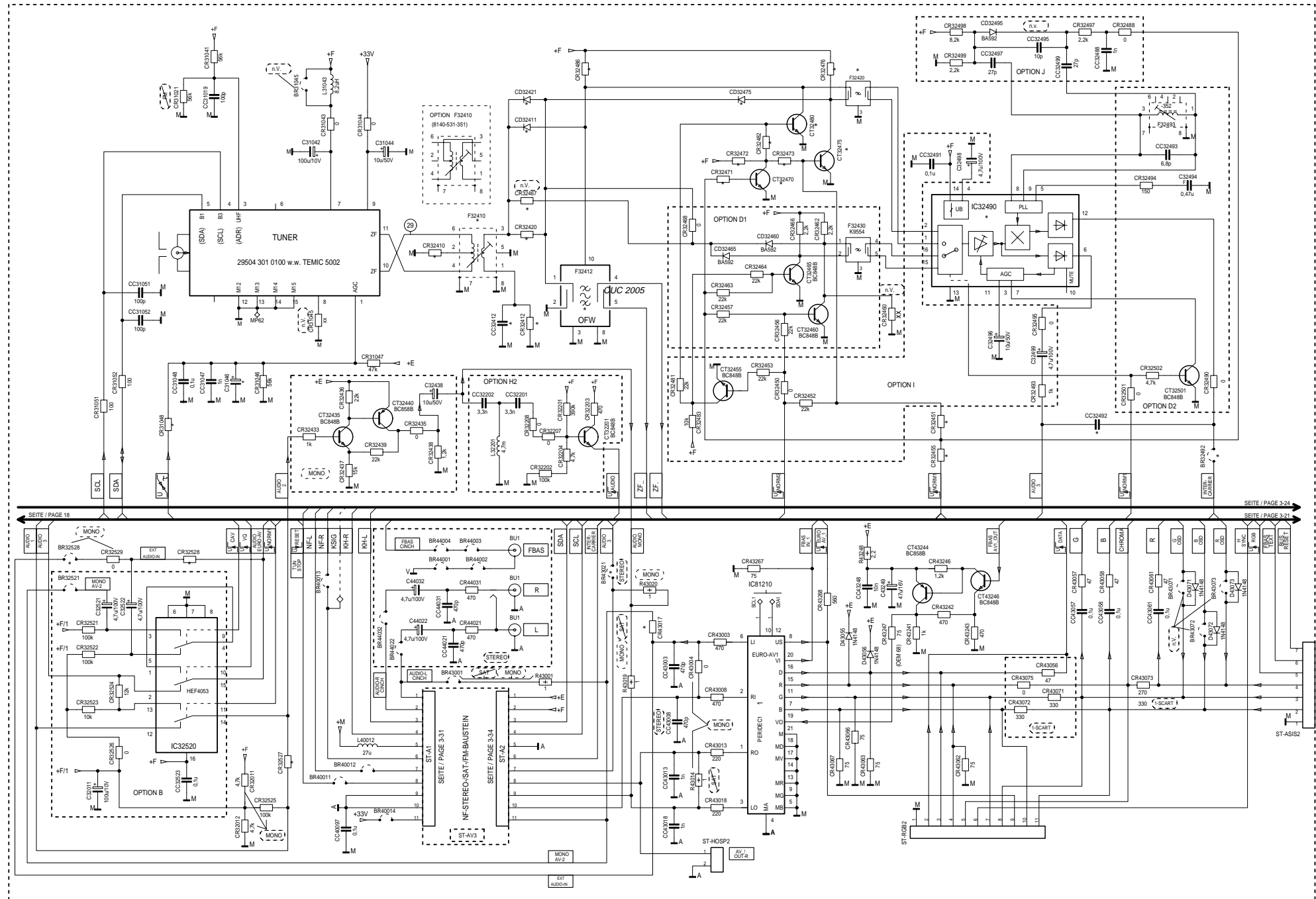


Teilschaltplan Tuner/Buchsen / Circuit Diagram Tuner/Socket Section

* oder OPTION – siehe Seite 3-23
* or OPTION – see page 3-23



Teilschaltplan Audio / Circuit Diagram Audio Section

*	IN/RND MONO	STEREO	INER/RND STEREO	NICAM STEREO	MULTI/7 MONO	MULTI/8 MONO/SAT	INLAND MONO/SAT	MULTI/8 MONO/SAT
C31046	10u	22u	10u	22u	10u	22u	10u	22u
CR31048	6.8k	0 OHM	6.8k	0 OHM	6.8k	0 OHM	6.8k	0 OHM
	C32024		2.2n		1.5n		2.2n	
	F32109		TPS6.5		TPS6.0		TPS6.0	
CR32111	560	1k			560			
CC32151	27u	27n			22u			
CC32152	22p	22p			22p			
BR32152	X	X	X	X	X	X	X	X
CR32162	CR32160	0 OHM						
F32162	SFE5.5	SFE5.5						
CR32163	680	680						
BR32165	X	X	-BA592					
CR32167			-BA592		0 OHM	0 OHM		
F32167	SFE6.0							
BR32167	X				X	X	X	X
CR32410	0 OHM		0 OHM	0 OHM	0 OHM	0 OHM	0 OHM	0 OHM
F32410	107-600	107-600	8141-531-351	8140-107-600	8141-531-351	8141-531-351	8141-531-351	8141-531-351
CD32411			BA592	BA592	BA592	BA592	BA592	BA592
CC32412	0 OHM	1k	1n	1k	1n	1k	0 OHM	1n
CR32412	F32412	G1985	K3451	G1984	K3451	G1984	K3451	470
CR32420	0 OHM		0 OHM		0 OHM		0 OHM	
CD32421			BA592	BA592	BA592	BA592	BA592	BA592
CR32451			22k	0 OHM	0 OHM	0 OHM	0 OHM	0 OHM
CR32455			0 OHM	0 OHM	0 OHM	0 OHM	0 OHM	0 OHM
CT32470			-BC848		-BC848		-BC848	
CR32471			22k		22k		22k	
CR32472			10k		10k		10k	
CR32473			0 OHM		0 OHM		0 OHM	
CR32475			0 OHM		0 OHM		0 OHM	
CR32476			0 OHM		0 OHM		0 OHM	
CT32480			2.2k	2.2k	2.2k	2.2k	2.2k	2.2k
CR32486			2.2k	2.2k	2.2k	2.2k	2.2k	2.2k
IC32490			U44867		U44867		U44867	
CR32527/CR32528			0 OHM		0 OHM		0 OHM	
C33019	1u	2.2u	1u	2.2u	1u	2.2u	1u	2.2u
	CC33021		0 OHM		0 OHM		0 OHM	
	CC33022		0 OHM		0 OHM		0 OHM	
	IC34115	TDA8840	TDA8842	TDA8840	TDA8842	TDA8840	TDA8842	TDA8840
	CC34039		0.22u		0.22u		0.22u	
CR43917	0 OHM		0 OHM	0 OHM	0 OHM	0 OHM	0 OHM	0 OHM
	CR81010		0 OHM		0 OHM		0 OHM	
	OPTION AX		X	X	X	X	X	X
	OPTION B	X						
	OPTION CX							
	OPTION D1/D2							
	OPTION F/G	X	X	X	X	X	X	X
	OPTION H1/H2	X	X	X	X	X	X	X
	OPTION IX	X	X	X	X	X	X	X
	OPTION X	X						

CUC 2005 12V

VIDEO

SAT-NACHRUESTUNG RETROFITTING SAT	R34073	R43014 R43001 R43019	R44014 R44013
MONO	1	1	1
MONO SAT	-	-	-
STEREO	-	-	1
STEREO SAT	-	-	-

470

70

1u

1u

0 OHM

PROZESSOR

TUNER

TUNER

TUNER

TUNER

TUNER

TUNER

TUNER

TUNER

TUNER

TUNER

TUNER

TUNER

TUNER

TUNER

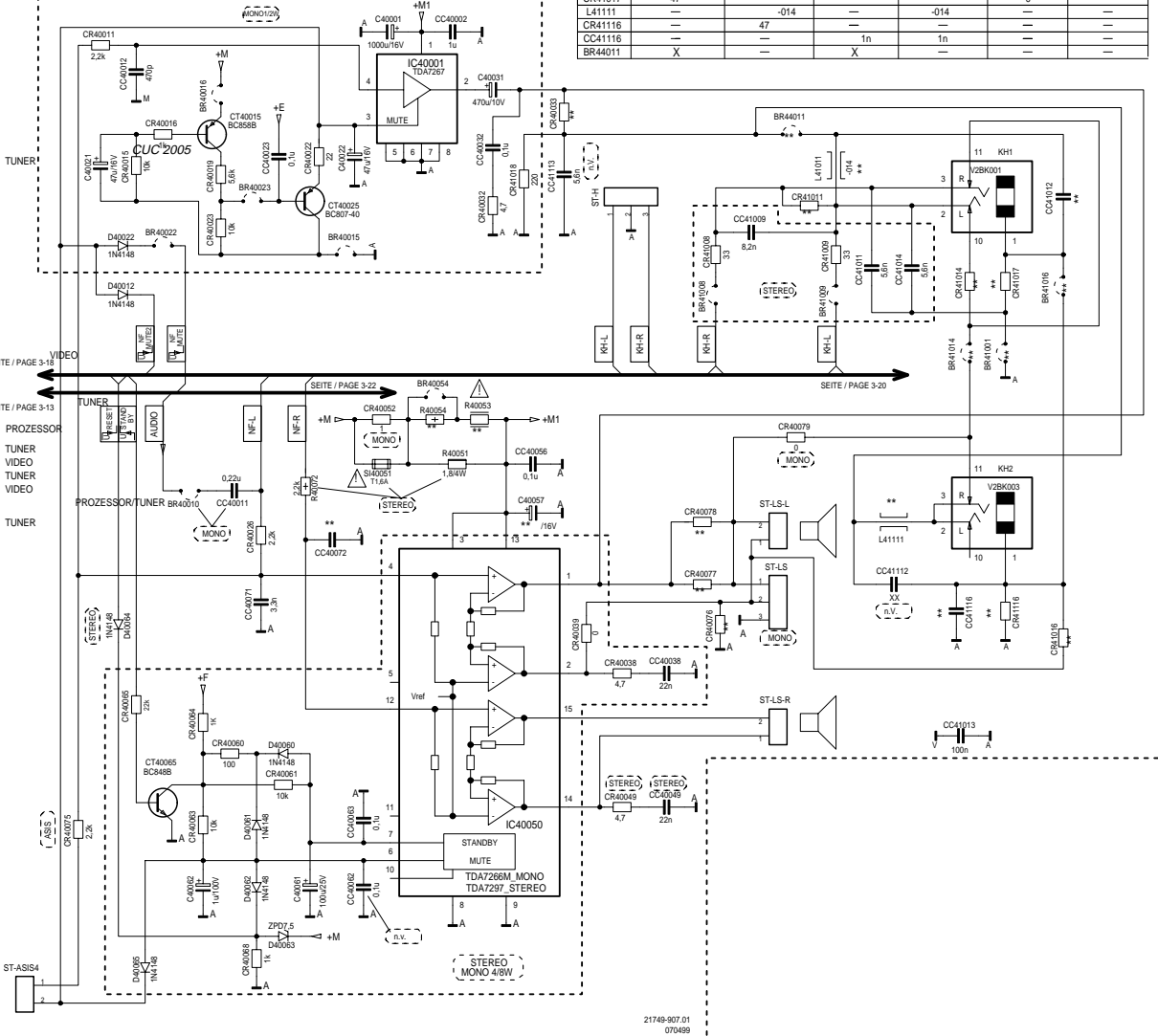
TUNER

TUNER

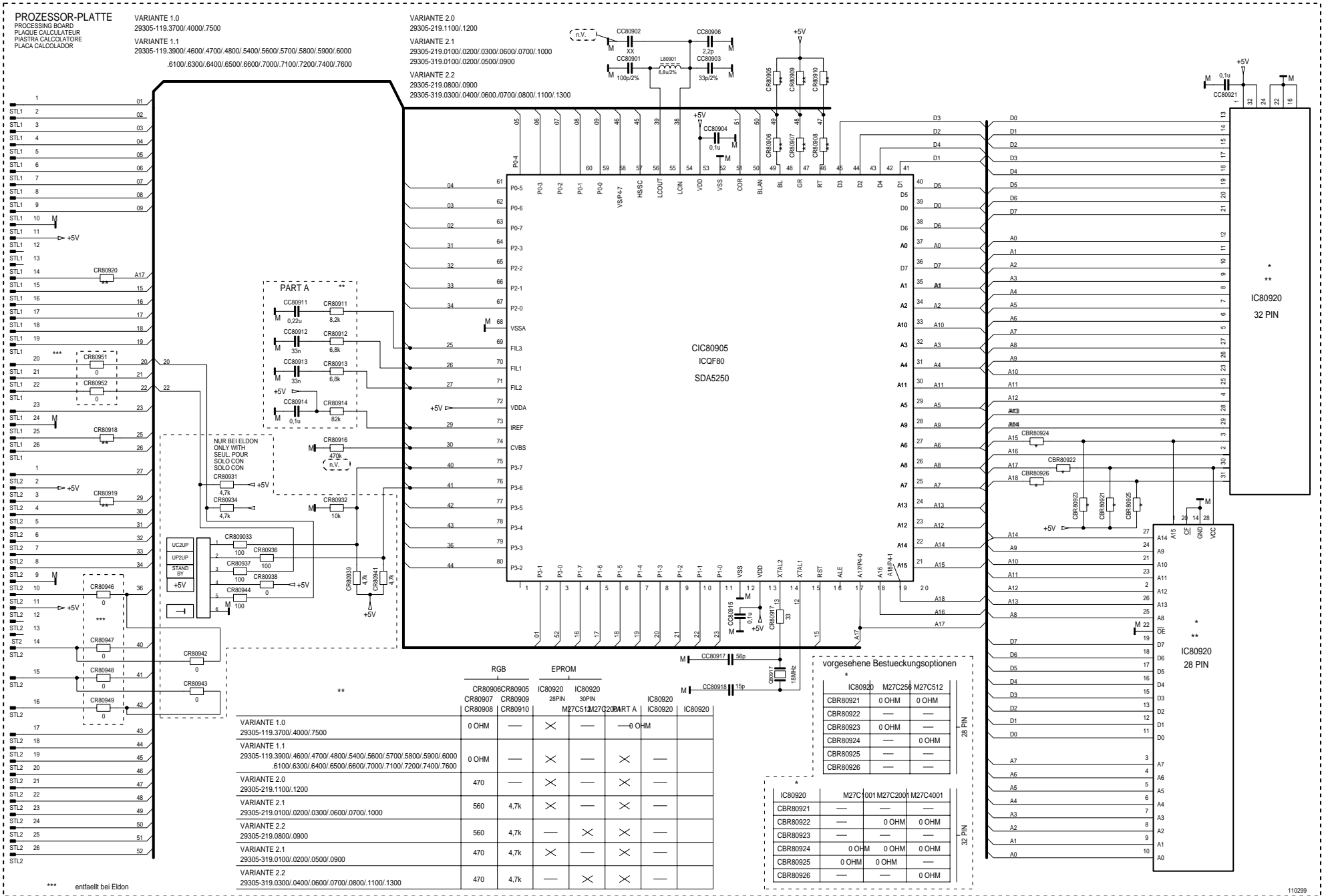
TUNER

TUNER

TUNER

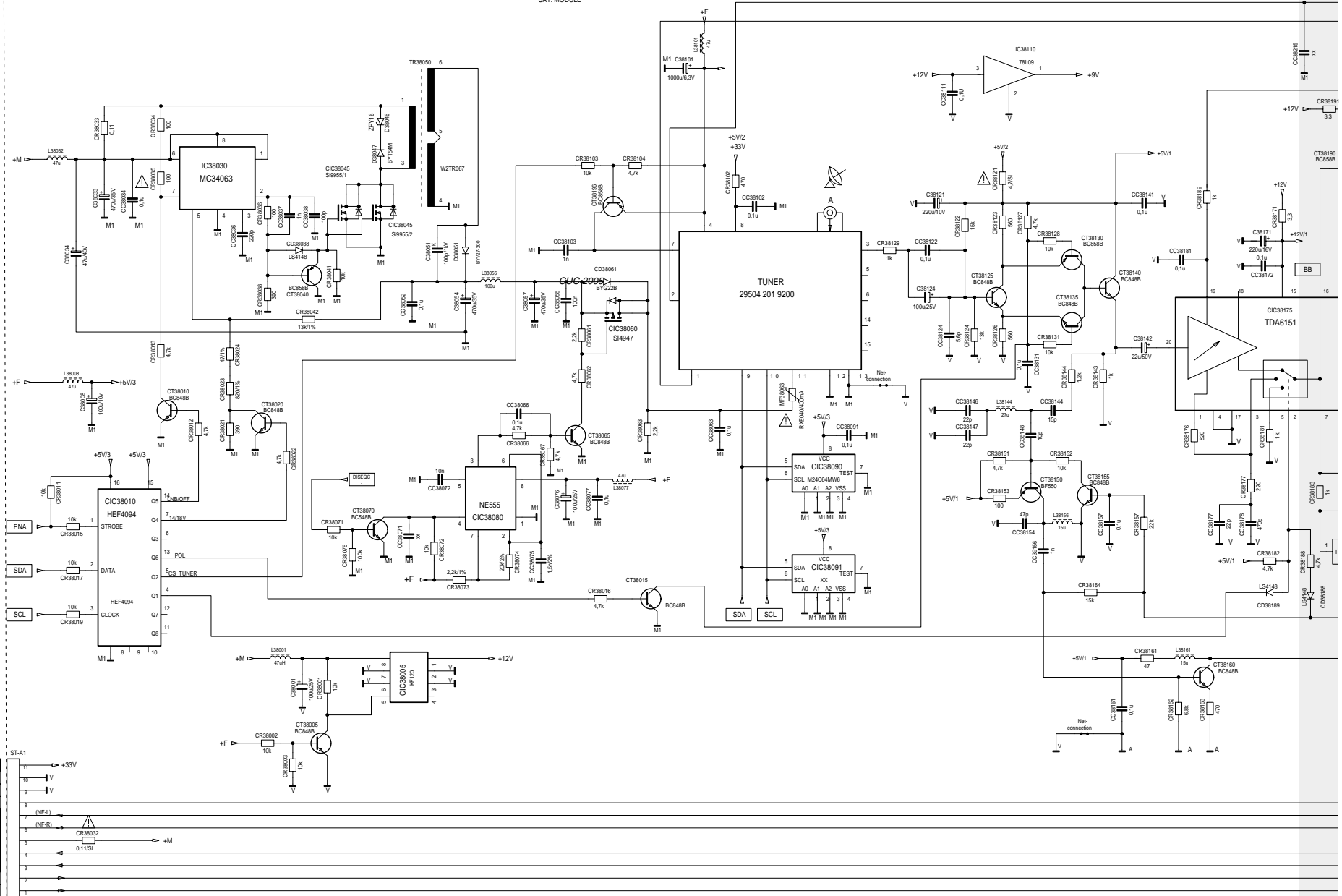


**	MONO 1/2W BUCHSE KH1	MONO 1/2W BUCHSE KH2	MONO 4/8W BUCHSE KH1	MONO 4/8W BUCHSE KH2	STEREO KH1	MONO 4/8W OHNE BUCHSE
CR40033	0	0	0	0		
R40053	4.7	4.7	2.2	2.2		
BR40054			1	1		1
C40057			1000u	1000u	2200u	1000u
CC40072			0.1u	0.1u	3.3n	0.1u
CR40076	0	0				
CR40077					0	0
BR40078	X				X	
L41011	-014		-014			
CR41011	0		0			
CR41012	5.6n		5.6n			
CR41014	0		0			
CR41016			270	270		
BR41016	X		X			
CR41017	47		X			
L41111		-014		-014		
CR41116		47				
CC41116			1n	1n		
BR44011	X		X			



SAT-Baustein / SAT Module

SAT-BAUSTEIN 29504 106 2800
 SAT. MODULE
 MOD. SAT
 MOD. SATELLITE
 SAT. MODULE

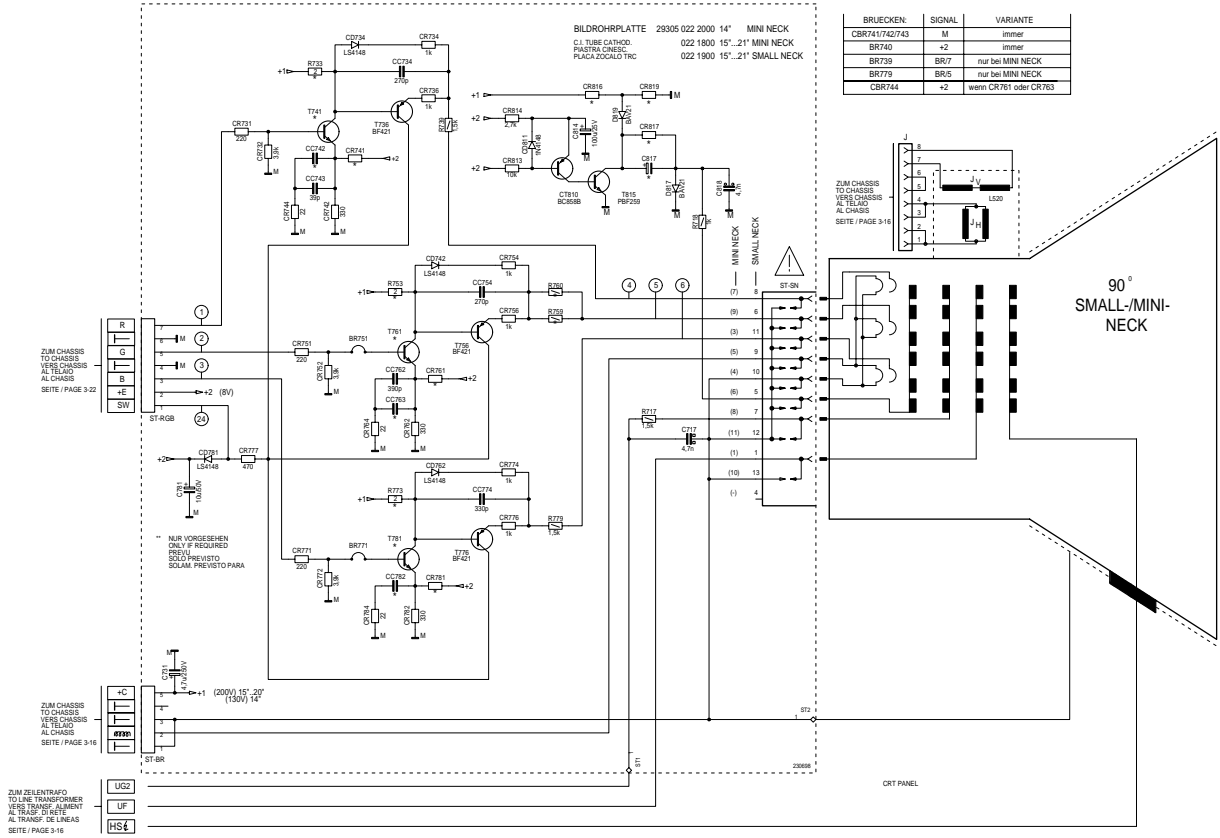


ST-A1

1	+33V
2	V
3	V
4	RESET
5	AUDIO L
6	AUDIO R
7	+M
8	KH-L
9	AUDIO R LINC
10	AUDIO L CRINC

ZUM CHASSIS TO CHASSIS
 VERS CHASSIS ALLO CHASSIS
 AL CHASSIS

SEITE / PAGE 3-19



	R733	T741	CR741	R759	R780	CR816	C817	CR817	CR819	CC742	CC782	CC783
* 14" MINI NECK	10K	BF422	4,7k	—	1,5k	470k	1u100V	500k	—	390p	470p	—
15"-21" MINI NECK	12k	BF871	—	—	1,5k	220k	1u250V	4,7M	220k	470p	560p	39p
15"-21" SMALL NECK	10k	BF871	—	—	1,5k	—	220k	1u250V	4,7M	220k	470p	560p