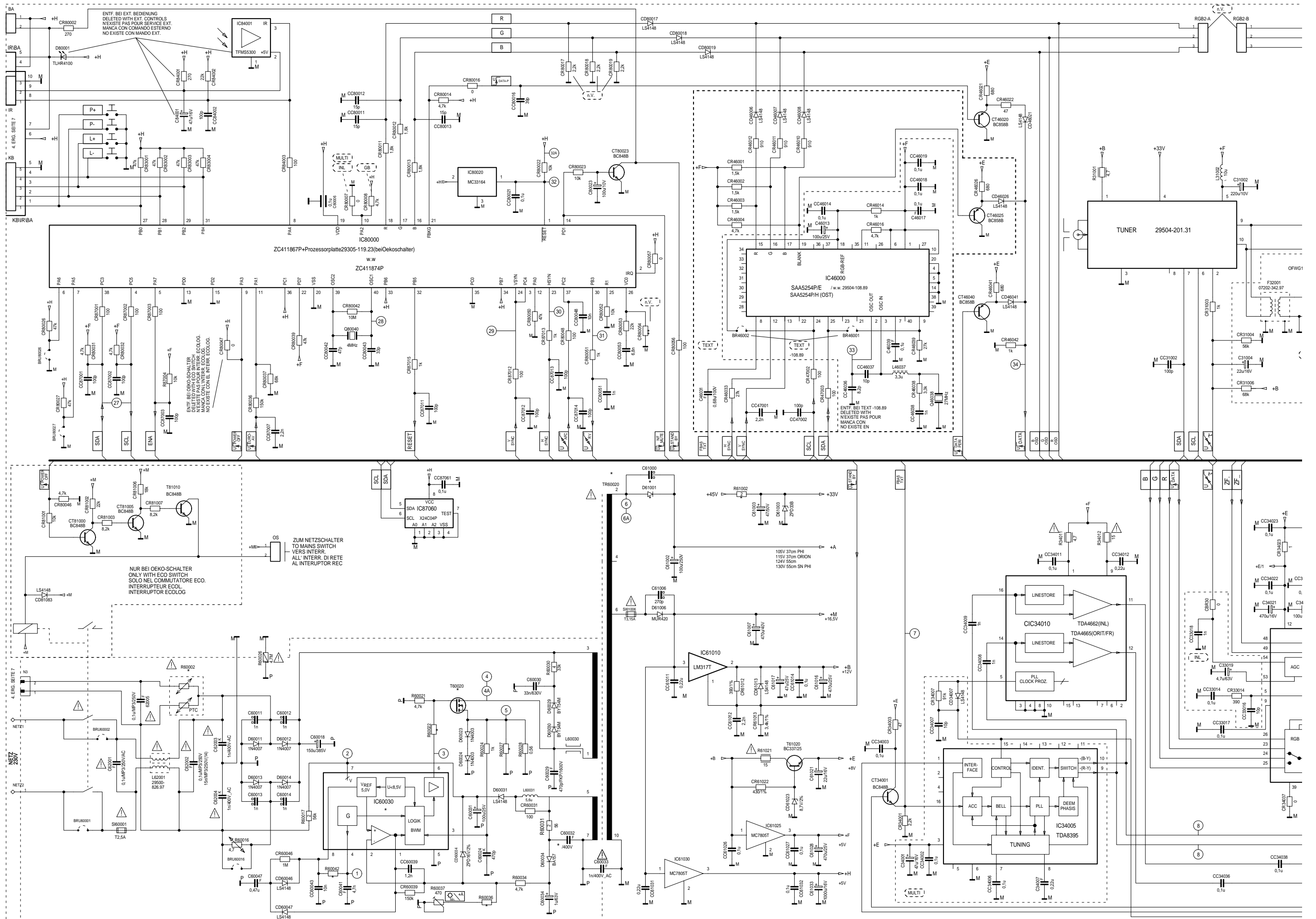
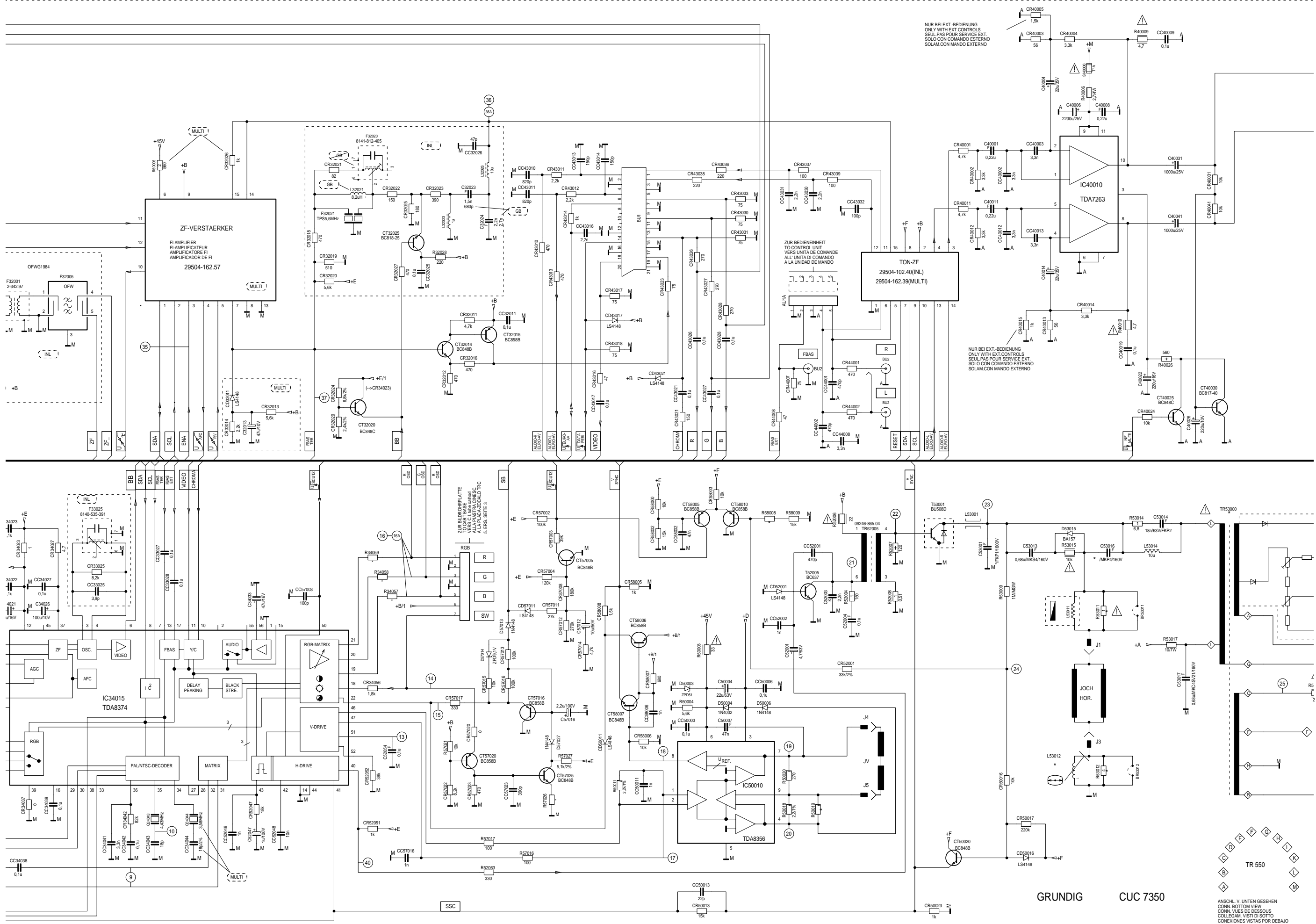
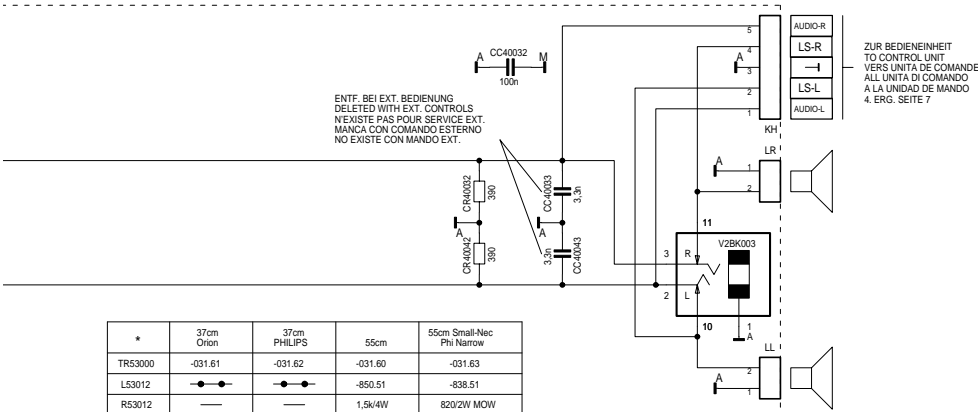


Gesamtschaltplan / General Circuit Diagram







| * | 37cm Orion | 37cm PHILIPS | 55cm | 55cm Small-Nec Phi Narrow |
|---------|--------------|--------------|--------------|---------------------------|
| TR53000 | -031.61 | -031.62 | -031.60 | -031.63 |
| L53012 | — | — | -850.51 | -838.51 |
| R53012 | — | — | 1,5k/4W | 820/2W MOW |
| C53001 | 6,8n | 7,8n | 6,8n | 8,5n/3,5% |
| L53011 | — | — | -115.95 | -114.95 |
| R53011 | — | — | 820 | 820 |
| C53016 | 0,42u/MKP4 | 0,42u/MKP4 | 0,26u/MKP4 | 0,33u/5% |
| R57006 | 12k | 12k | 10k | 10k |
| R21503 | 3,3/1W | 3,3 OHM/1W | 4,7 OHM/1W | 8,2/1W |
| TR60020 | 29201-516.97 | 29201-517.91 | 29201-515.97 | 29201-519.97 |
| R60002 | 8311-200-020 | 8311-200-020 | 8311-200-010 | 8311-200.010 |
| R58008 | 2,7k | 3,9k/5% | 1k | 1,2k/5% |
| R60027 | 0,68 | 0,68 | 0,56 | 0,56 |
| L54001 | 220u | 220u | — | — |
| R54002 | 1,2k | 1,2k | — | — |
| R57026 | 330/2% | 330/2% | 1k | 1k |
| C60032 | 4,7n | 4,7n | 1,8n | 1,8n |
| T60020 | BUZ290A | BUZ30A | BUZ30 | BC40 |
| R60042 | 10k | 10k | 9,1k | 6,8k |
| IC60030 | UC3843N | UC3843N | UC3843N | UC3843N |
| C61000 | 100p | 100p | 100p | — |
| D61001 | BY299 | BY299 | BY299 | BYT56 |
| R61002 | 1,5k | 1,5k | 1k | 1k |
| R60022 | 22 | 22 | 22 | 10 |
| R60036 | 1,2k | 1,2k | 1,2k | 1,1k |
| R50019 | 2,2 | 2,2 | 2,2 | 1,2 |
| R34057 | 1,8k | 1,8k | 1,5k | 1,5k |
| R34058 | 1,8k | 1,8k | 1,5k | 1,5k |
| R34059 | 1,8k | 1,8k | 1,5k | 1,5k |

