

* PAL-I

R305	: 1K
C304	: 39P
L301	: 33u
C305	: 24P
C325	: 20P
Q309	: KSR1004

- TO PRE-AMP
- 1 TRICK (H)
 - 2 N.C.
 - 3 G.N.D.
 - 4 PB Y FM
 - 5 PB 5V
 - 6 MESSCAM (H)
 - 7 G.N.D.
 - 8 PE C

- TO PRE-AMP
- 1 ON/OFF 5V
 - 2 REC Y+C
 - 3 G.N.D.
 - 4 REC(H)
 - 5 SW P
 - 6 MA SW
 - 7 COMP
 - 8 DC ENV

- TO SERVO-LOGIC
- 1 SWP
 - 2 H.A SW
 - 3 COMP
 - 4 TEST ENV
 - 5 DC ENV
 - 6 LP (H)
 - 7 TRICK (H)
 - 8 SP (H)
 - 9 ON/OFF 5V
 - 10 REC (H)
 - 11 PB (L)
 - 12 EE (L)
 - 13 PIC CTL
 - 14 C ROTARY
 - 15 QV/QH
 - 16 C SYNC
 - 17 NTSC (H)
 - 18 G.N.D.

- PN02
- 1 FSC
 - 2 ON/OFF 5V
 - 3 G.N.D.
 - 4 COLOR IN
 - 5 COLOR OUT
 - 6 NTSC 5V
 - 7 NTSC (H)
 - 8 C SYNC

MSM7403RS
R311: 1.3K(C)

LEF 7440-V-1-11 94.10.07

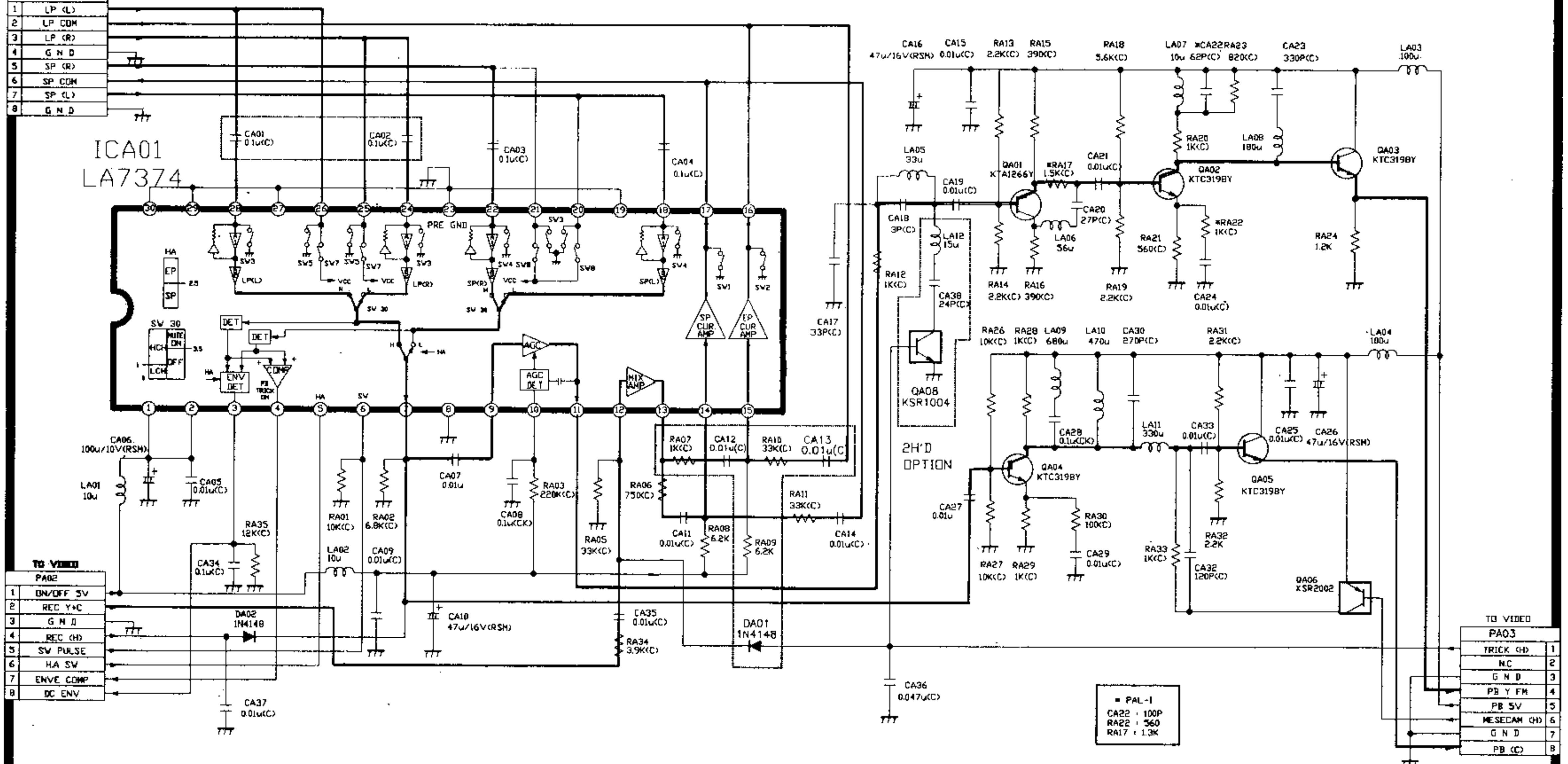
4H'D 1-7
2H'D 5-8
TO DECK

PA01	
1	LP (L)
2	LP COM
3	LP (R)
4	G N D
5	SP (R)
6	SP COM
7	SP (L)
8	G N D

ICA01
LA7374

TO VIDEO

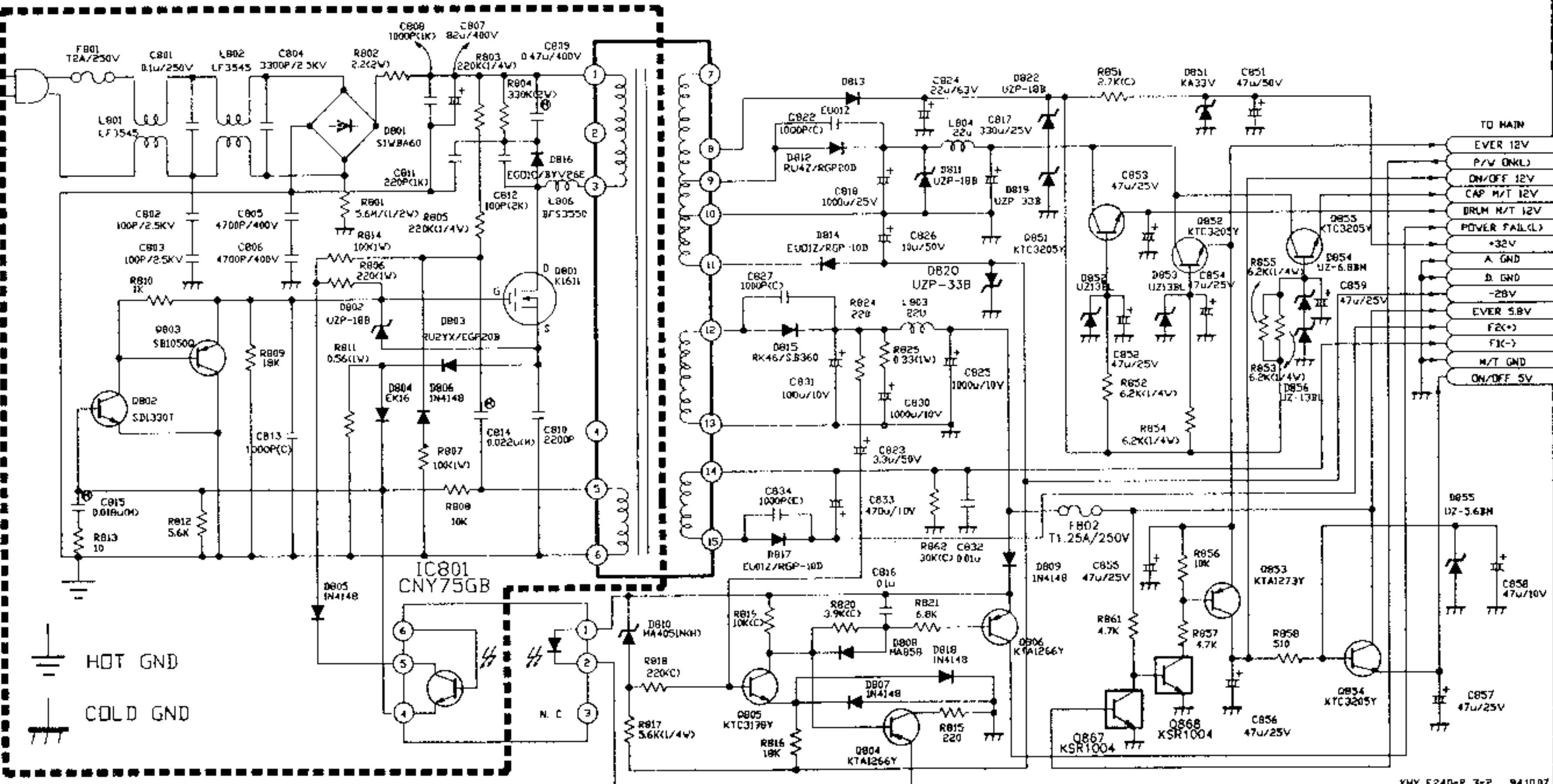
PA02	
1	ON/OFF SV
2	REC Y+C
3	G N D
4	REC (H)
5	SV PULSE
6	HA SW
7	ENVE COMP
8	DC ENV



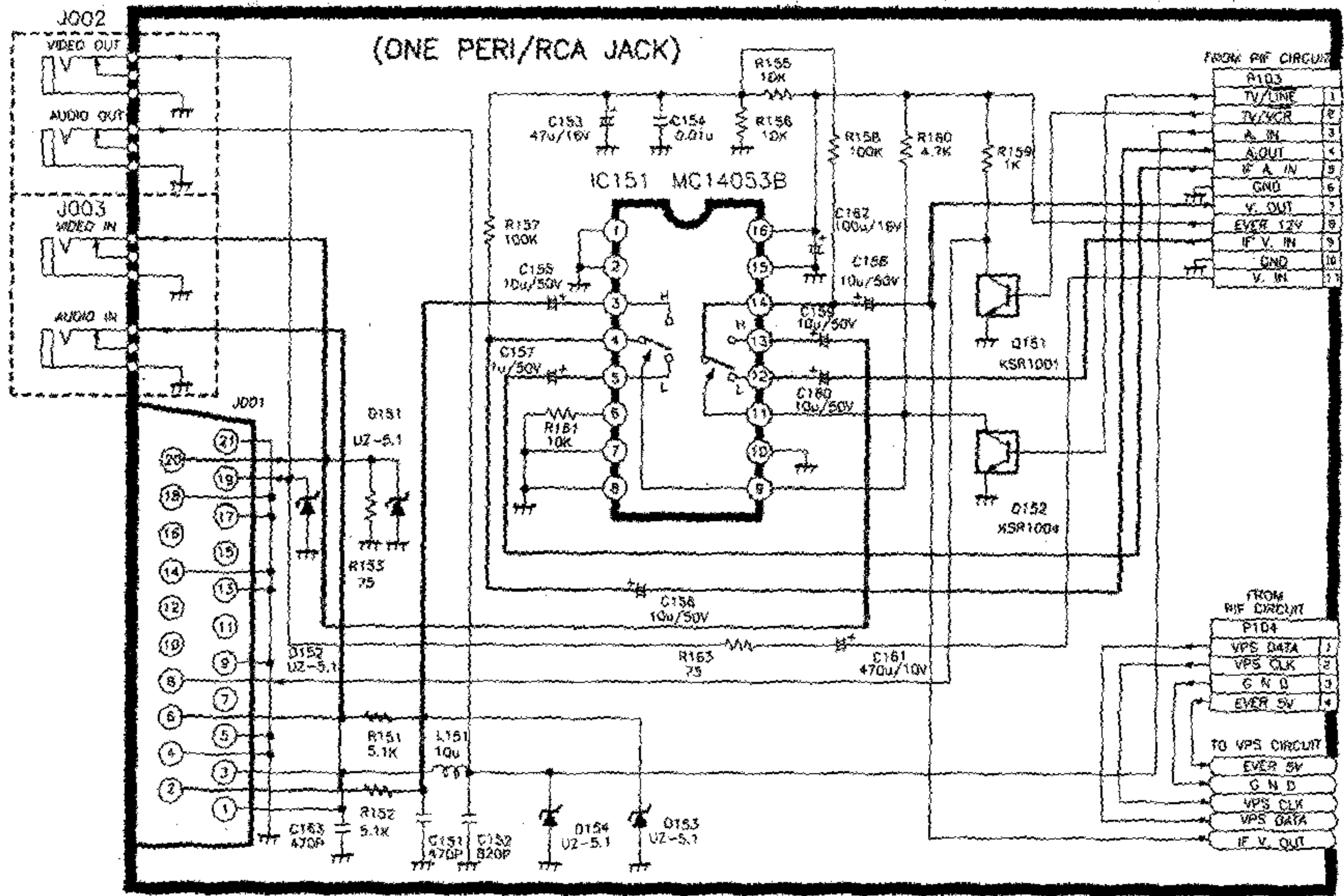
■ PAL-1
CA22 : 100P
RA22 : 560
RA17 : 1.3K

TO VIDEO		PA03	
	TRICK (H)	1	
	N C	2	
	G N D	3	
	PB Y FM	4	
	PB SV	5	
	MESECAM (H)	6	
	G N D	7	
	PB (C)	8	

PT801



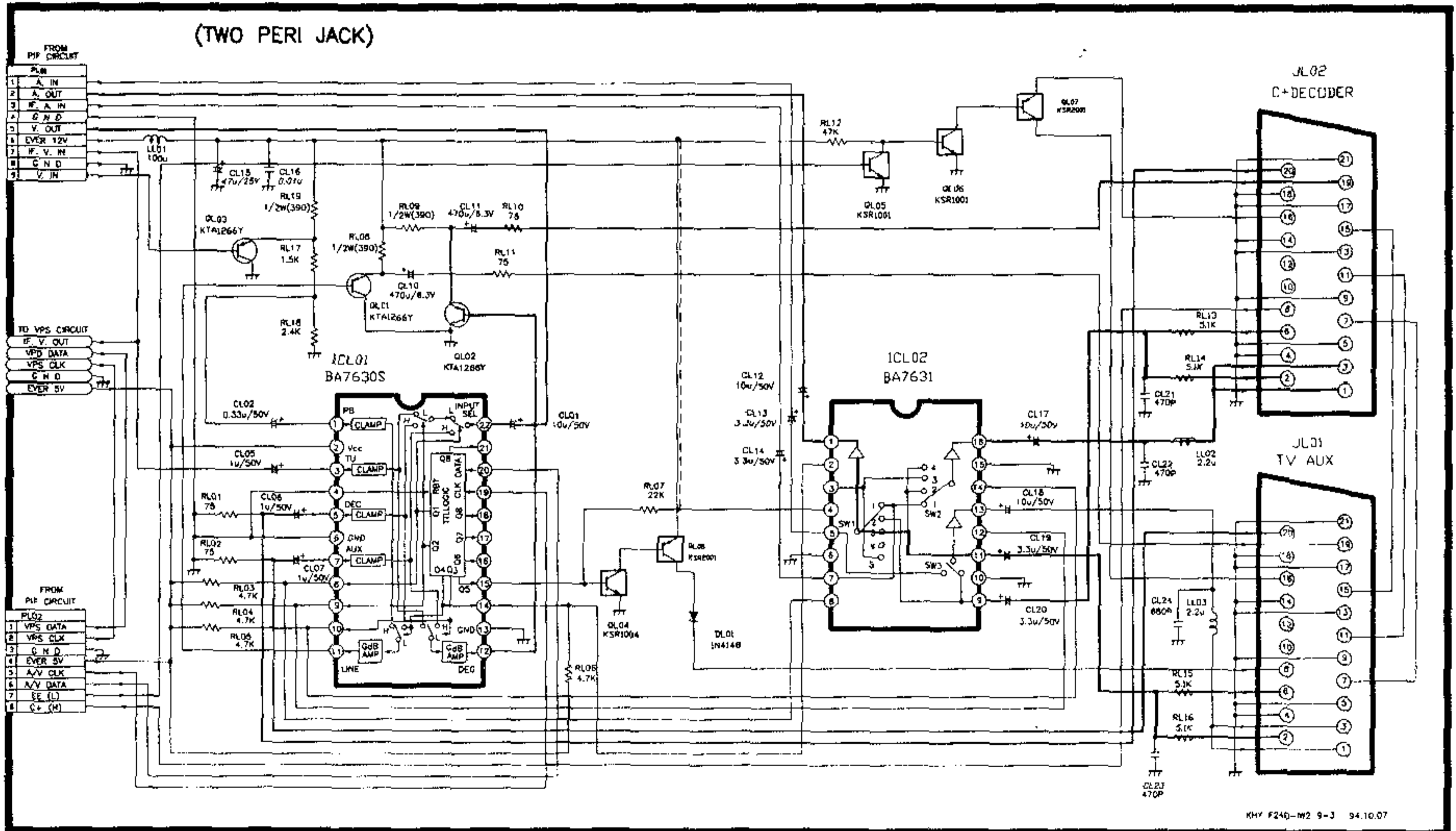
IN/OUT SW CIRCUIT 1



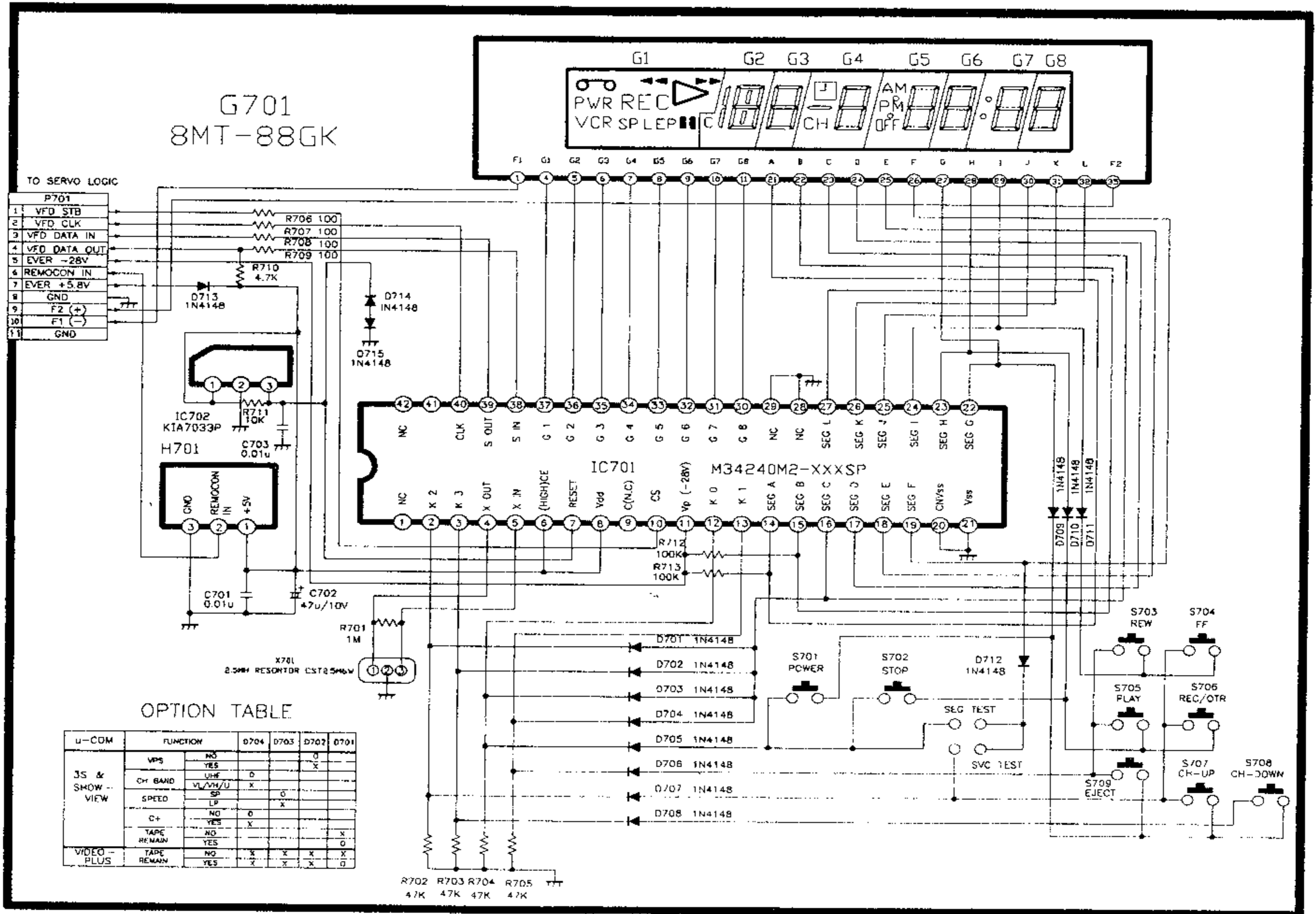
REC AUDIO SIGNAL
REC VIDEO SIGNAL

IN/OUT SW CIRCUIT II

 REC AUDIO SIGNAL
 REC VIDEO SIGNAL



LOGIC CIRCUIT

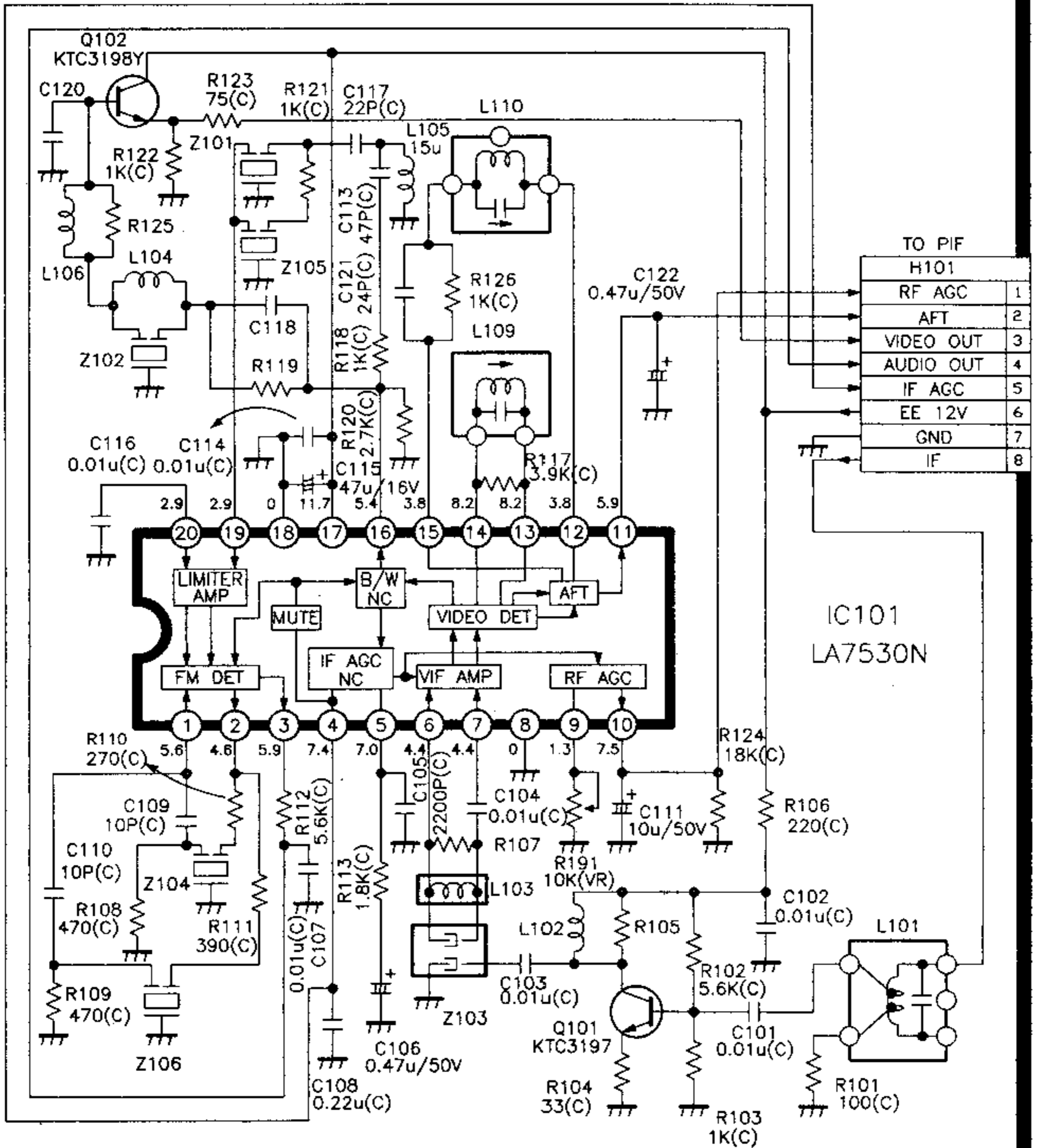


IF MODULE CIRCUIT

System \ Loc.	C109	C110	C118	C120	L101	L102	L103	L104	L105	L106
B/G(FTZ)	10P(C)	X	X	27P(C)	DWS-301	TRF-3220	DWC-370	8.2uH	15uH	33uH
B	10P(C)	X	X	27P(C)	X	TRF-3220	DWC-370	8.2uH	15uH	33uH
I(U.K)	10P(C)	X	X	15P(C)	X	2.2uH	DWC-370	10uH	15uH	27uH
B/G and D/K	10P(C)	10P(C)			X	2.2uH	2.0uH			
B/H(AUS)	10P(C)	X			X	1.0uH	TRF-3812			
I/I(S.A)	10P(C)	X			X	R99K	DRF-1337			

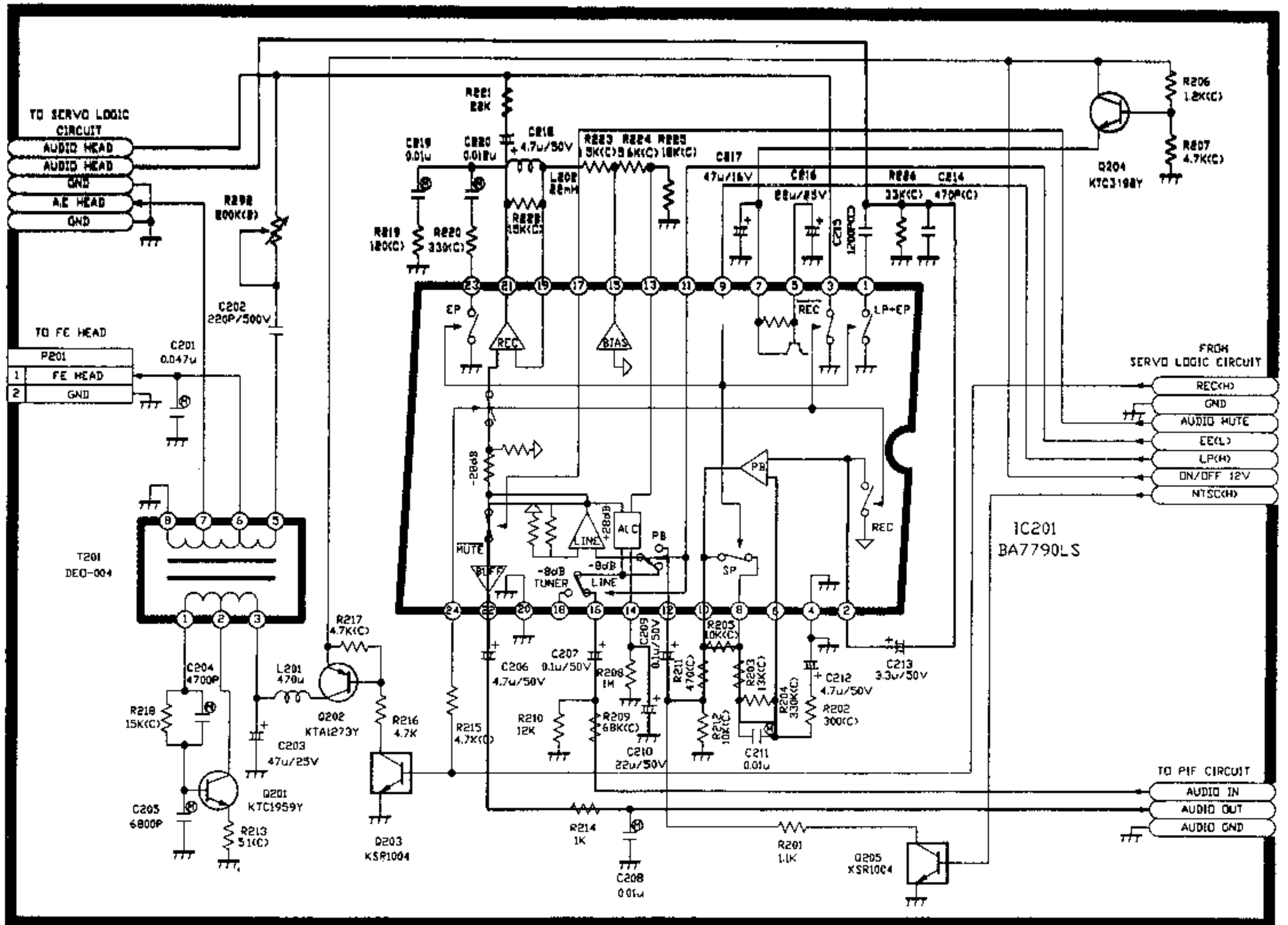
System \ Loc.	L109	L110	R101	R105	R107	R108	R109	R110	R111	R119	R121	R125
B/G(FTZ)	DWS-302	DWS-303	100(C)	820(C)	8.2K(C)	470(C)	X	270(C)	X	240(C)	X	5.6K(C)
B	DWS-302	DWS-303	100(C)	820(C)	8.2K(C)	470(C)	X	270(C)	X	150(C)	X	5.6K(C)
I(U.K)	DWS-302	DWS-303	100(C)	820(C)	1.0K(C)	470(C)	X	270(C)	X	270(C)	X	5.6K(C)
B/G and D/K	DWS-302	DWS-303	100(C)	470(C)	1.8K(C)	470(C)	470(C)	270(C)	390(C)		1K(C)	
B/H(AUS)	DWS-302	DWS-303	100(C)	470(C)	1.8K(C)	470(C)	X	270(C)	X		X	
I/I(S.A)	DWS-302	DWS-303	100(C)	470(C)	3.6K(C)	470(C)	X	270(C)	X		X	

System \ Loc.	Z101	Z102	Z103	Z104	Z105	Z106
B/G(FTZ)	SFE 5.5MB	TPS 5.5MB	SAF38.9MZW80Z	CDA 5.5MC26	X	X
B	SFE 5.5MB	TPS 5.5MB	SAF38.9MZW80Z	CDA 5.5MC26	X	X
I(U.K)	SFE 6.0MB	TPS 6.0MB	SAF39.5MZ80Z	CDA 6.0MC26	X	X
B/G and D/K	SFE 5.5MB	TPS 5.5MB	SAF38.0MZE80Z	CDA 5.5MC26	SFE 6.5MB	CDA6.5MC26
B/H(AUS)	SFE 5.5MB	TPS 5.5MB	SAF36.9MZ80Z	CDA 5.5MC26	X	X
I/I(S.A)	SFE 6.0MB	TPS 6.0MB	SAF38.9MW85Z	CDA 6.0MC26	X	X

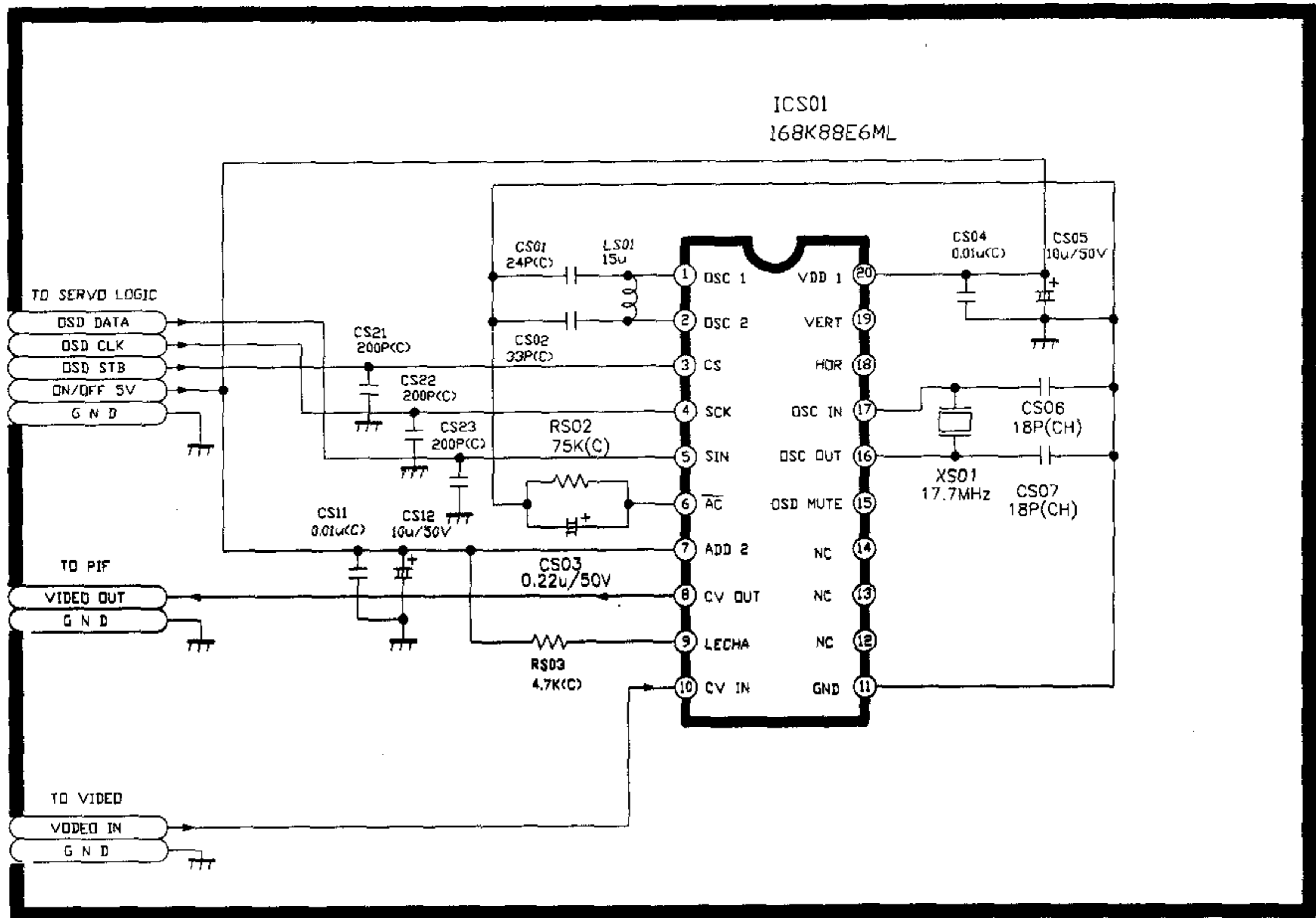


LINEAR AUDIO CIRCUIT

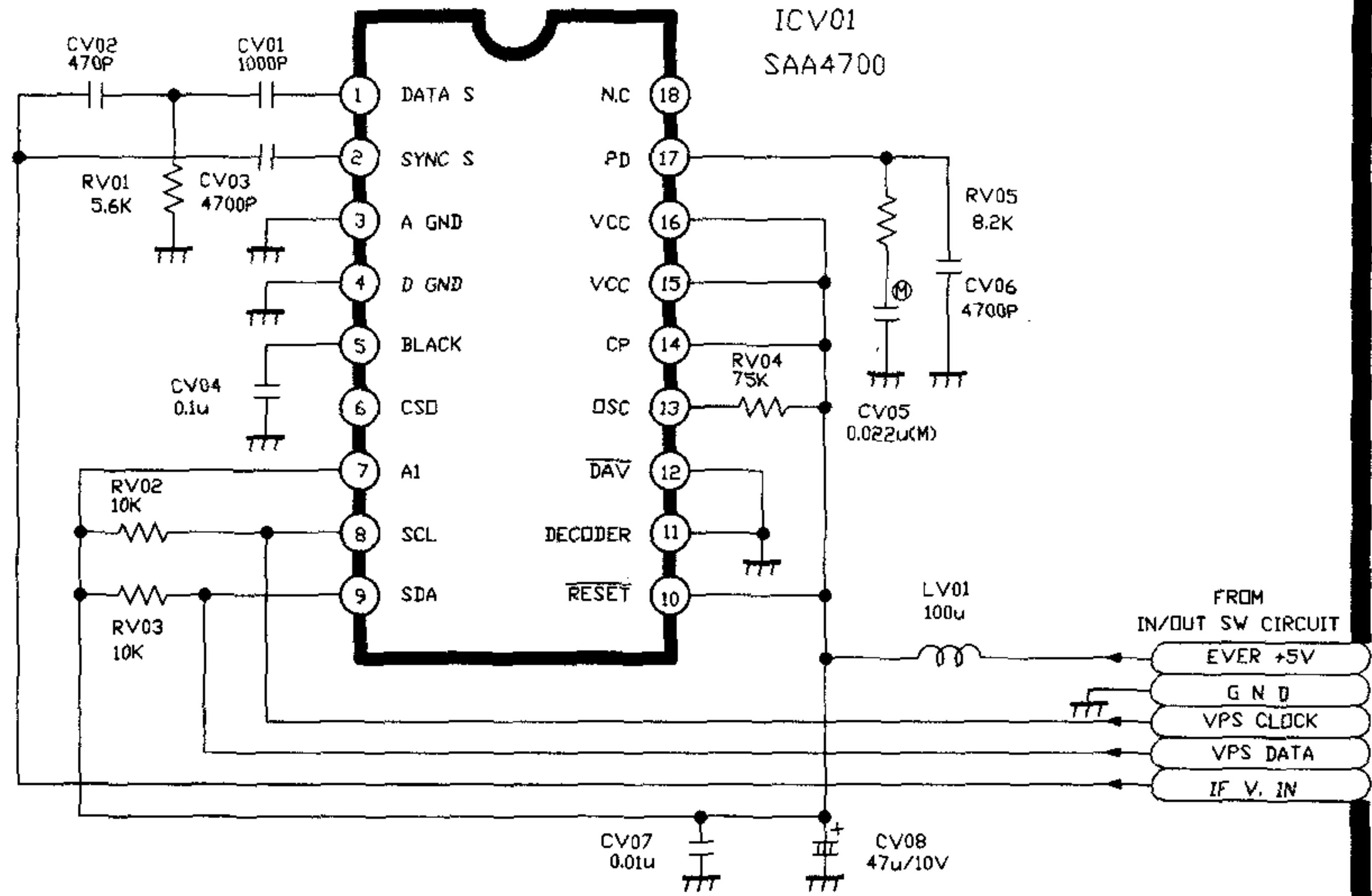
— REC AUDIO SIGNAL — PB AUDIO SIGNAL



OSD CIRCUIT



VPS CIRCUIT



PIF CIRCUIT

