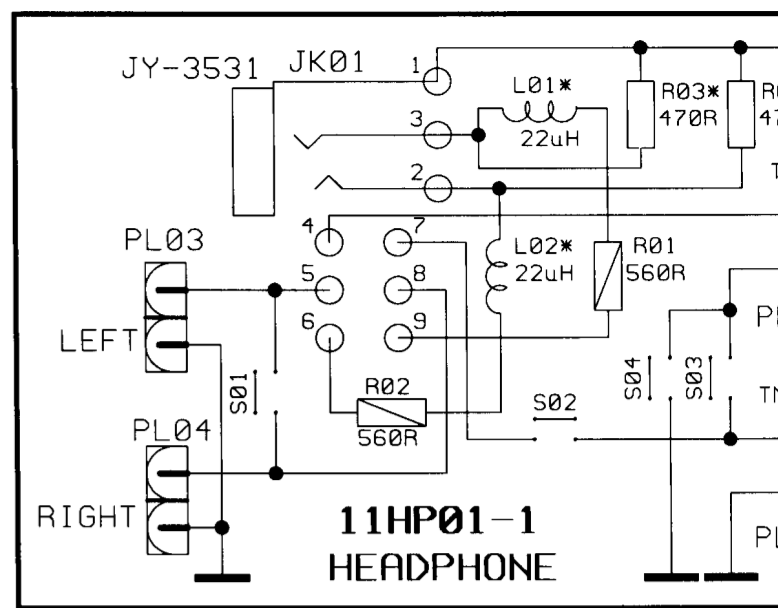


SAFETY COMPONENTS MARKED WITH  $\Delta$  MUST BE REPLACED WITH ORIGINAL OR APPROVED COMPONENTS ONLY. (ALL PRINTED CIRCUIT BOARDS AND REAR COVER ARE SAFETY COMPONENTS)

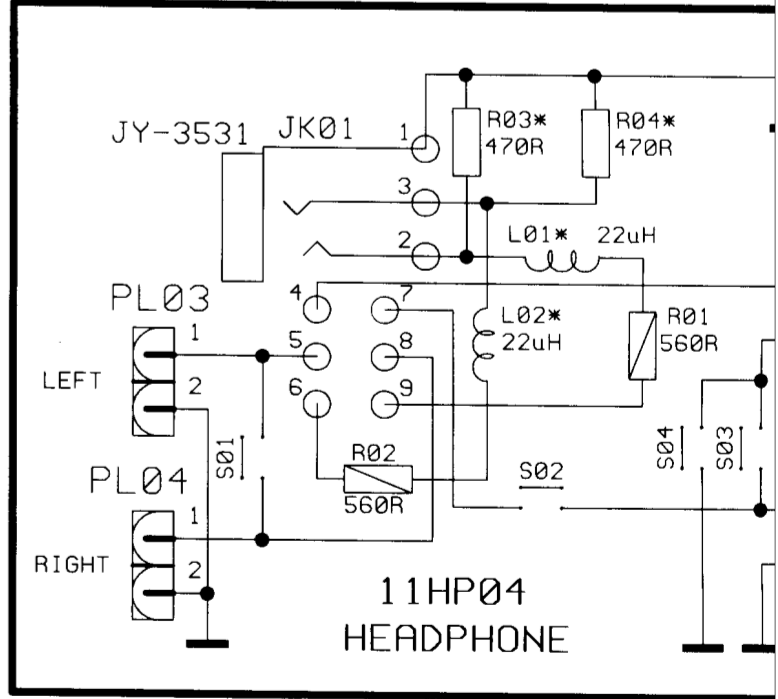
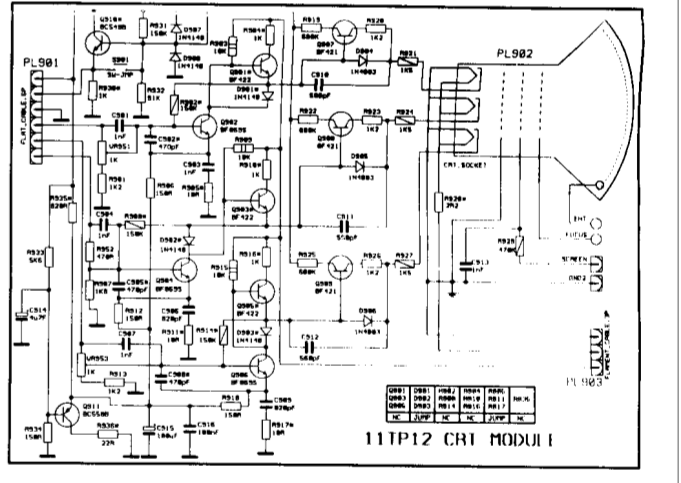
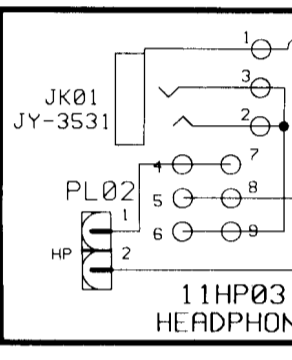
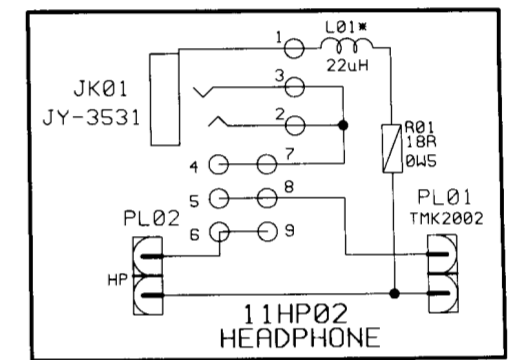
ATTENTION: THE MANUFACTURER RESERVES THE RIGHT TO CHANGE THE DESIGN AND SPECIFICATION WITHOUT PRIOR NOTICE OR WARNING.

### 11AK12 MAIN BOARD



SPEAKER OPTIONS	S02	S03	S04
ONE SPEAKER	N.C.	N.C.	CON
TWO SPEAKERS IN PARALLEL	CON	N.C.	CON
TWO SPEAKERS IN SERIES	N.C.	CON	N.C.
STEREO	CON	N.C.	CON

STEREO-MONO INPUT	S01	R01	FTZ OPTION	L01	L
MONO WITH STEREO JACK	CON	CON	WITH FTZ	CON	C
MONO WITH MONO JACK	N.C.	CON	WITHOUT FTZ	JMP.	J
STEREO	N.C.	CON.			



SPEAKER OPTIONS	S02	S03	S04
ONE SPEAKER	N.C.	N.C.	CON
TWO SPEAKERS IN PARALLEL	CON	N.C.	CON
TWO SPEAKERS IN SERIES	N.C.	CON	N.C.
STEREO	CON	N.C.	CON

STEREO-MONO INPUT	S01	R01	FTZ OPTION	L01	L
MONO WITH STEREO JACK	CON	CON	WITH FTZ	CON	C
MONO WITH MONO JACK	N.C.	CON	WITHOUT FTZ	JMP.	J
STEREO	N.C.	CON.			

