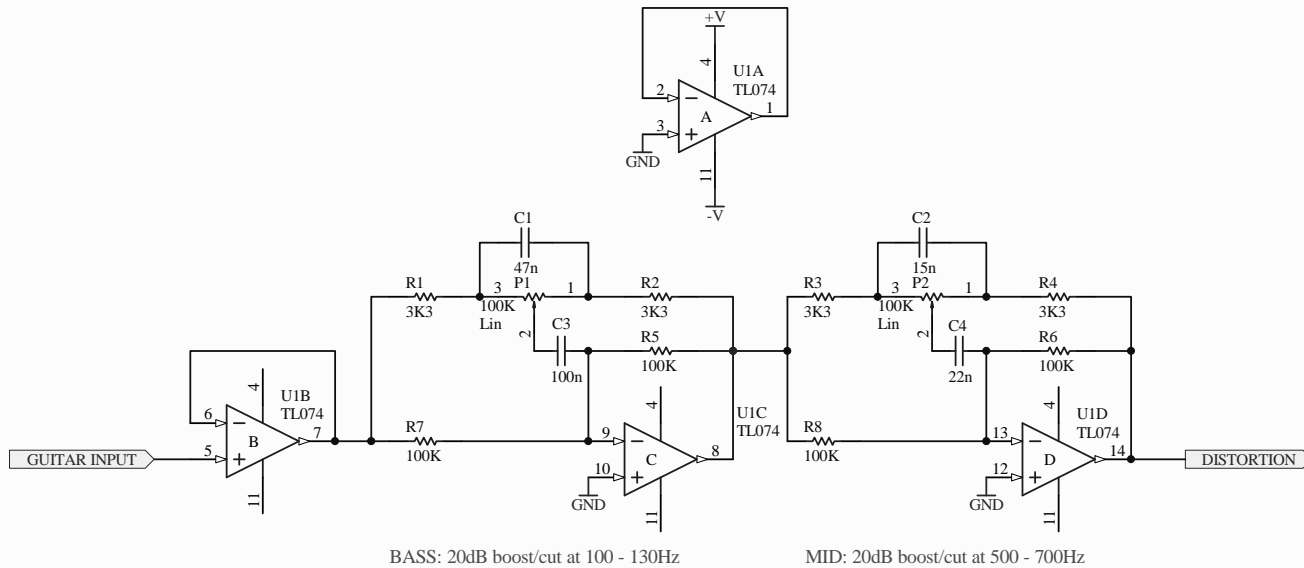
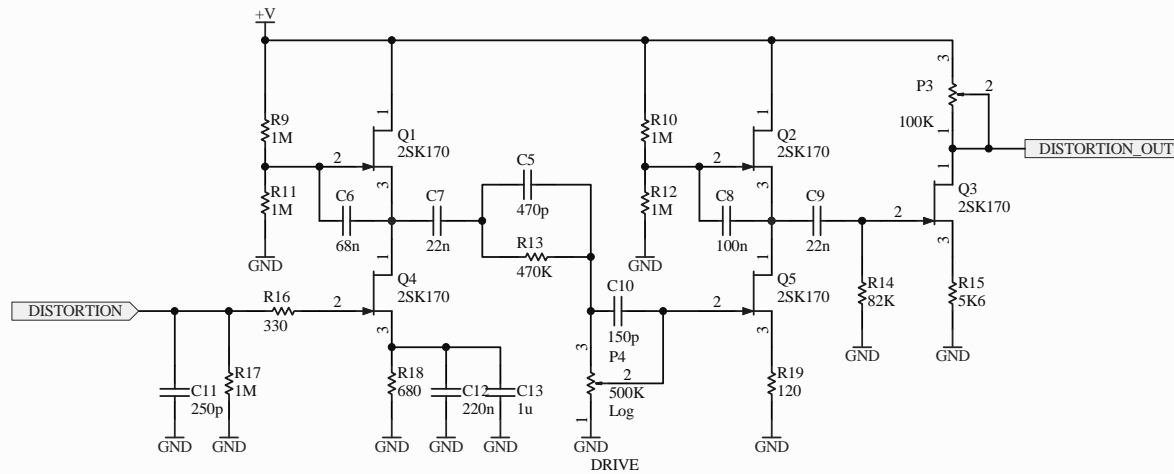



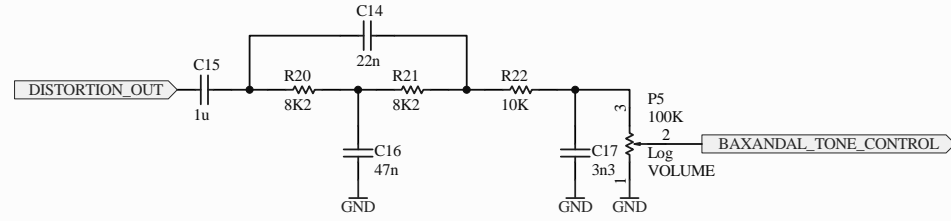
Title <i>INFINITY Guitar preamplifier</i>		Organization: <i>Elektronski fakultet Nis</i>	
Size: A4		Address: <i>Aleksandra Medvedeva 14</i>	
Revision:		Laboratory: <i>Robotics Lab</i>	
Date: 12/21/2011		Drawn By:	
Sheet of		Approved By:	
File: INFINITY Guitar preamplifier.SchDoc			




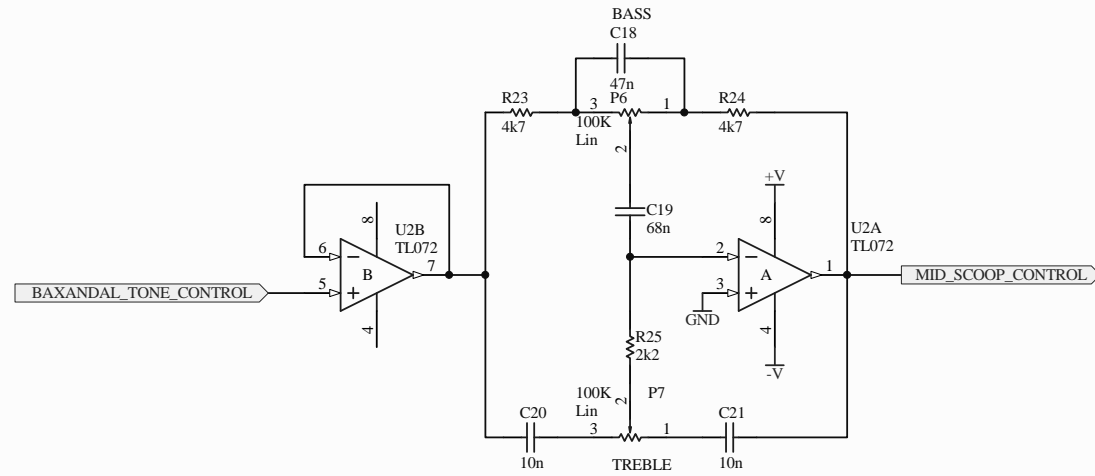
Title Pre-equalizer		Organization: <i>Elektronski fakultet Nis</i>	
Size: A4		Address: <i>Aleksandra Medvedeva 14</i>	
Revision:		Laboratory: <i>Robotics Lab</i>	
Date: 12/21/2011		Drawn By:	
Sheet of		Approved By:	
File: Pre-equalizer.SchDoc			




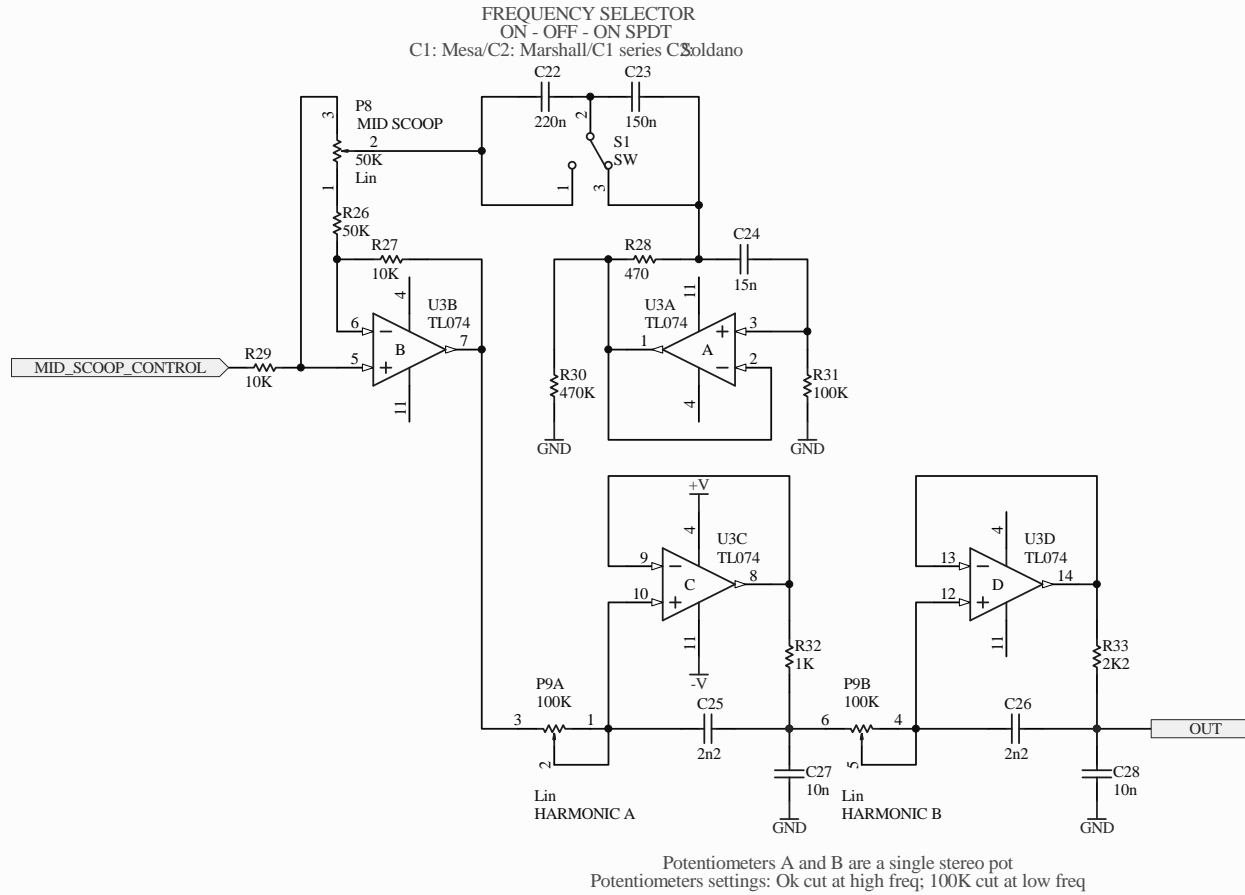
Title Gain section		Organization: <i>Elektronski fakultet Nis</i>	
Size: A4		Address: <i>Aleksandra Medvedeva 14</i>	
Revision:		Laboratory: <i>Robotics Lab</i>	
Date: 12/21/2011		Drawn By:	
File: Gain section.SchDoc		Approved By:	
Sheet of			



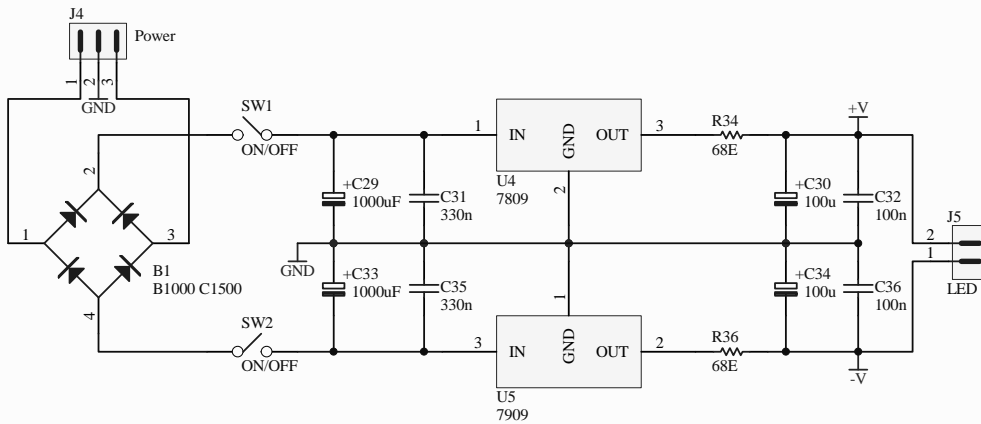
Title Output filter		Organization: <i>Elektronski fakultet Nis</i>	
Size: A4		Address: <i>Aleksandra Medvedeva 14</i>	
Revision:		Laboratory: <i>Robotics Lab</i>	
Date: 12/21/2011		Drawn By:	
File: OUTPUT filter.SchDoc		Approved By:	
Sheet of			




Title Baxandal tone control		Organization: <i>Elektronski fakultet Nis</i>	
Size: A4		Address: <i>Aleksandra Medvedeva 14</i>	
Revision:		Laboratory: <i>Robotics Lab</i>	
Date: 12/21/2011	Sheet of	Drawn By:	
File: Baxandal tone control.SchDoc		Approved By:	



Title MID SCOOP		Organization: <i>Elektronski fakultet Nis</i>	
Size: A4	Revision:	Address: <i>Aleksandra Medvedeva 14</i>	
Date: 12/21/2011	Sheet of	Laboratory: <i>Robotics Lab</i>	
File: Mid.scoop.SchDoc		Drawn By:	
		Approved By:	



Title Power supply		Organization: <i>Elektronski fakultet Nis</i>	
Size: A4		Address: <i>Aleksandra Medvedeva 14</i>	
Revision:		Laboratory: <i>Robotics Lab</i>	
Date: 12/21/2011	Sheet of	Drawn By:	
File: Power supply.SchDoc		Approved By:	

