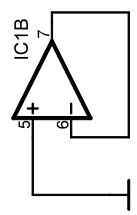
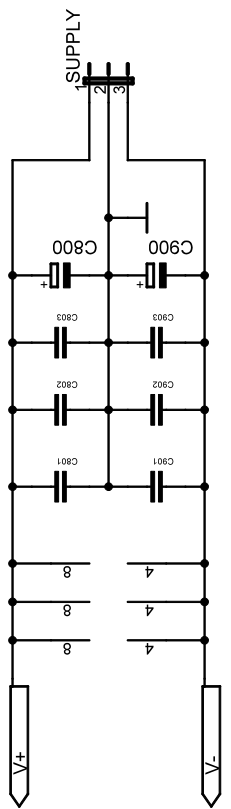
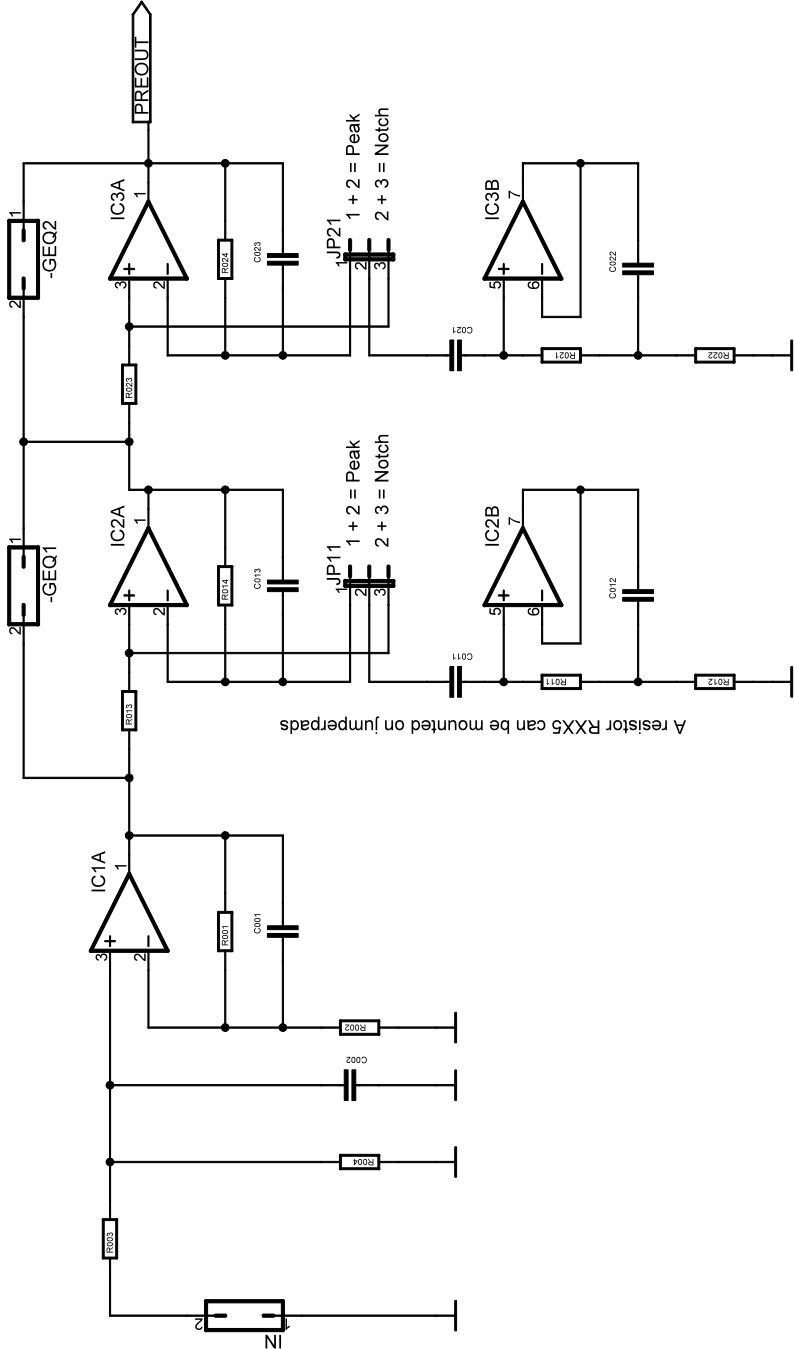


Buffer and 6 dB gain

GLOBAL EQ's



Input filter and global EQ's

TITLE: Active filter one ver 1.0

Document Number:

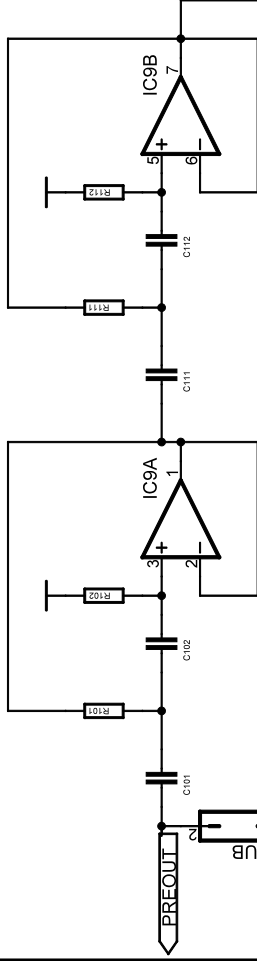
REV:

Date: 28-03-2004 22:36:52

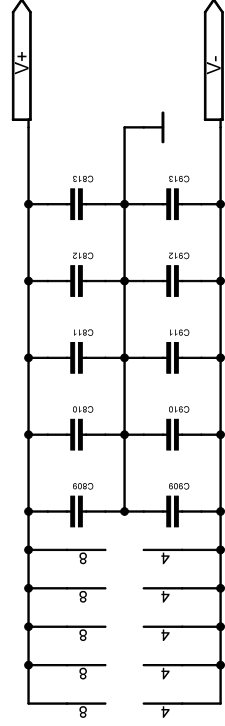
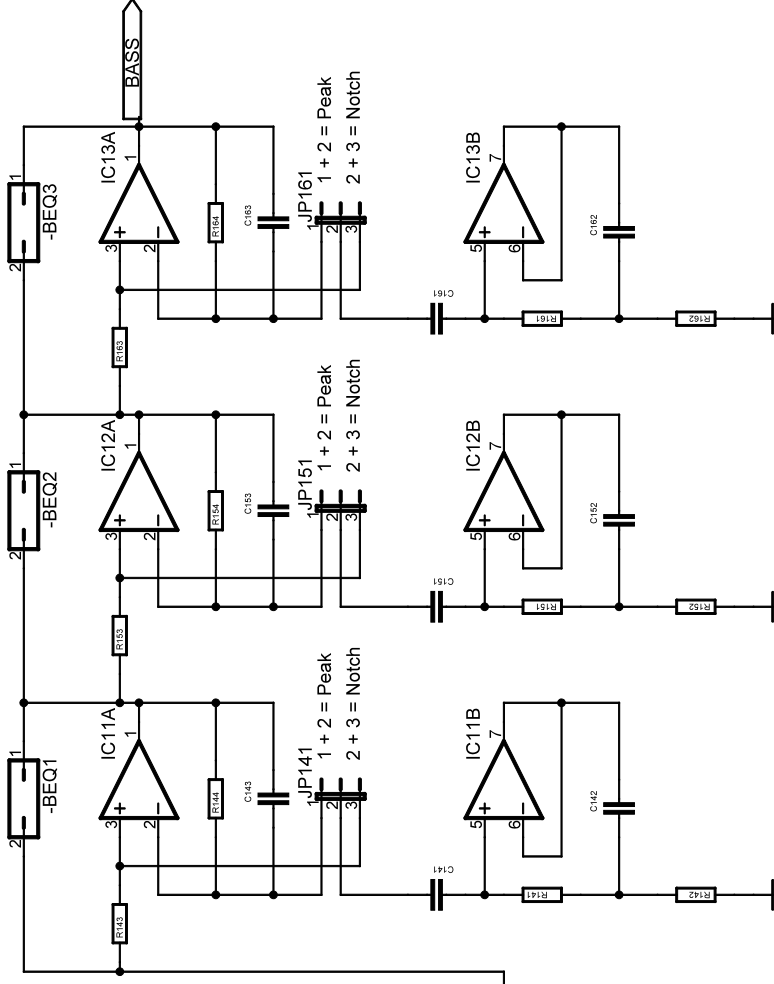
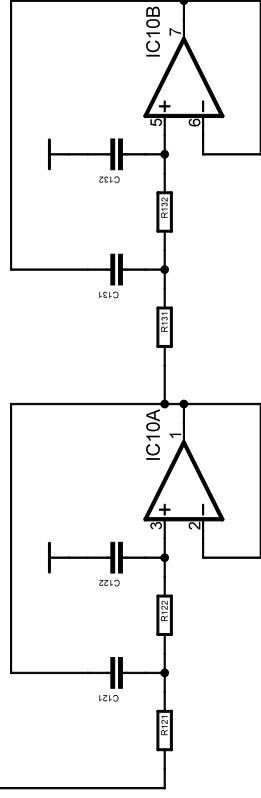
Sheet: 1/6



4. th order HP filter



4. th order LP filter



Bass filter with EQ's

TITLE: Active filter one ver 1.0

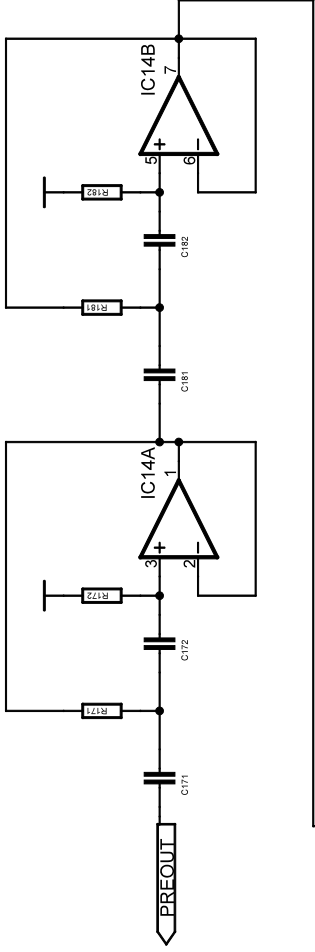
Document Number:

REV:

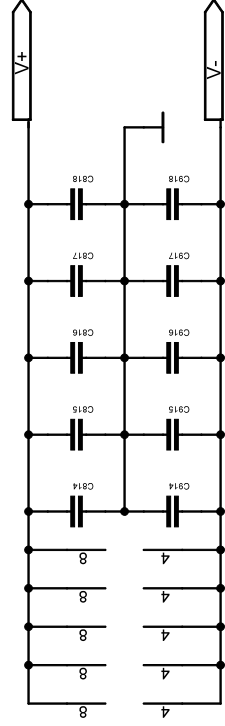
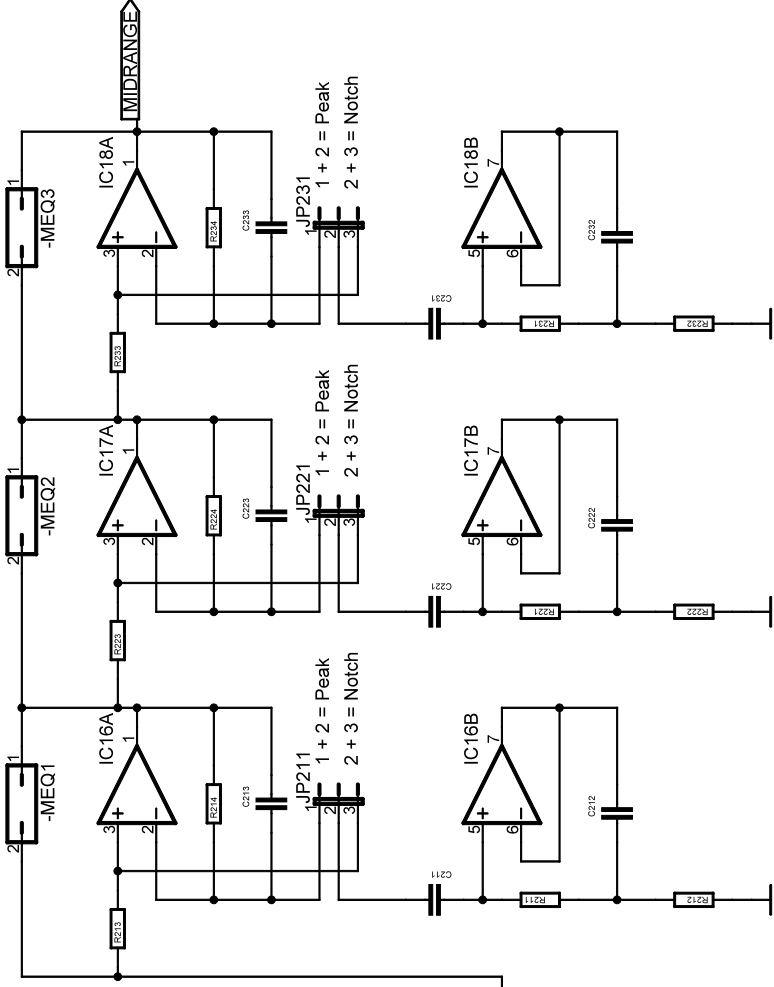
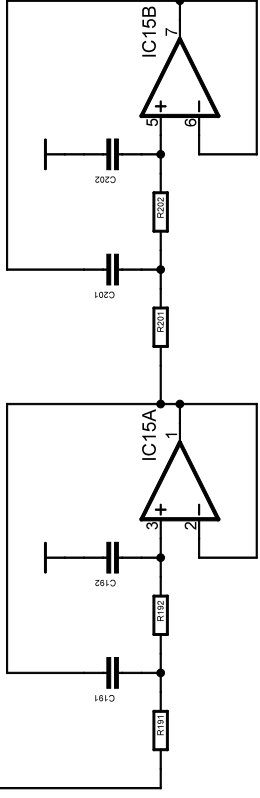
Date: 28-03-2004 22:36:52

Sheet: 3/6

4. th order HP filter



4. th order LP filter



Midrange filter with EQ's

TITLE: Active filter one ver 1.0

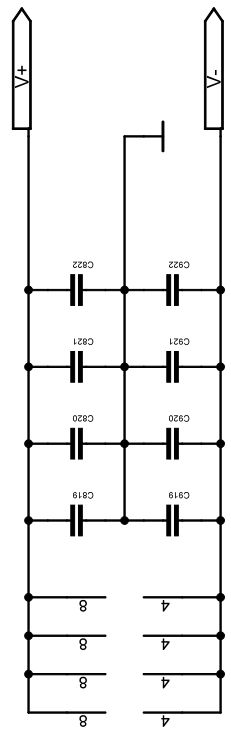
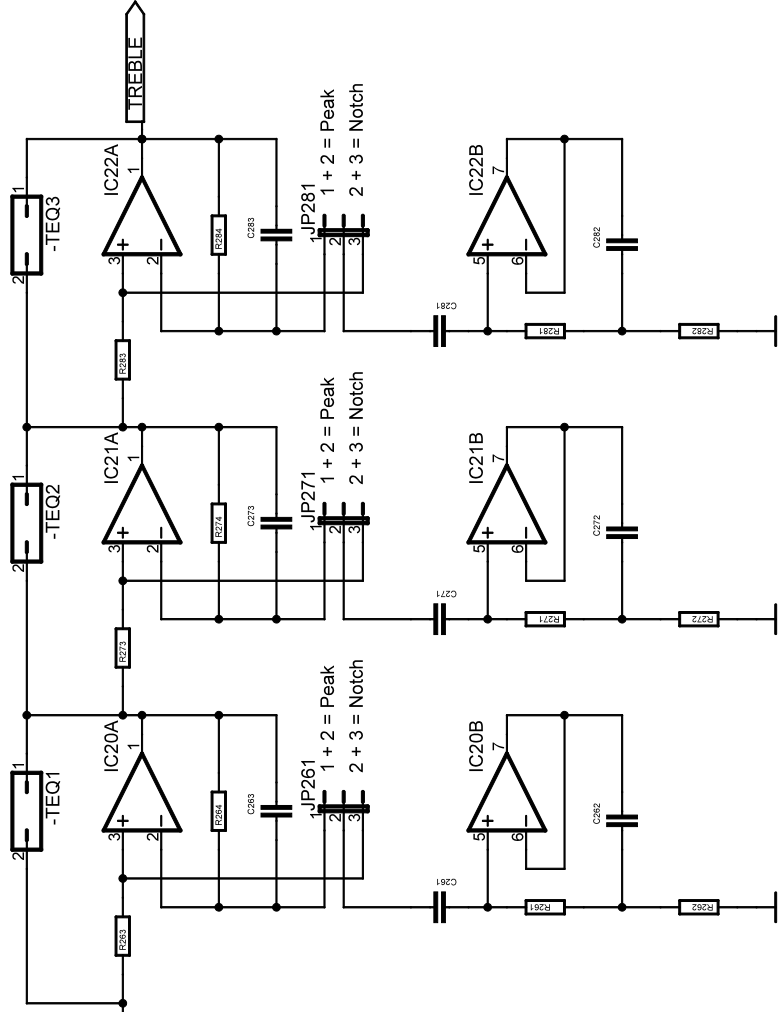
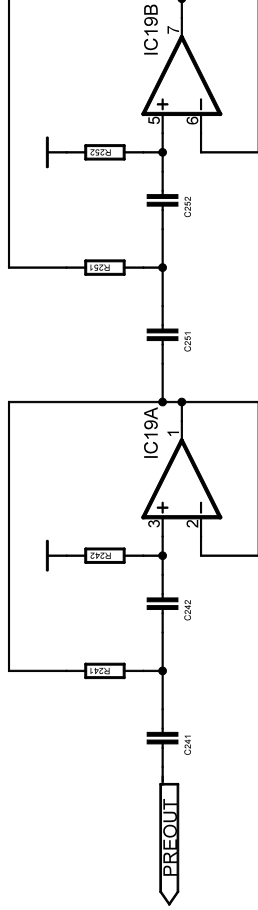
Document Number:

REV:

Date: 28-03-2004 22:36:52

Sheet: 4/6

### 4. th order HP filter



Treble filter with EQ's

TITLE: Active filter one ver 1.0

Document Number:

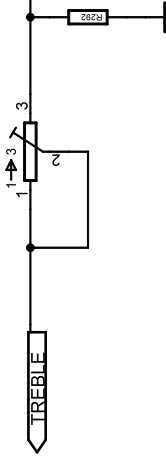
REV:

Date: 28-03-2004 22:36:52

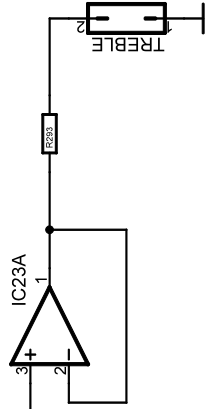
Sheet: 5/6

Level adjust

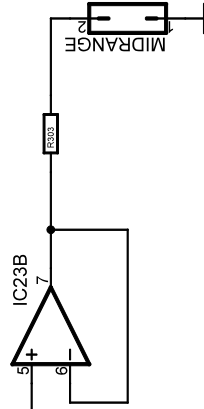
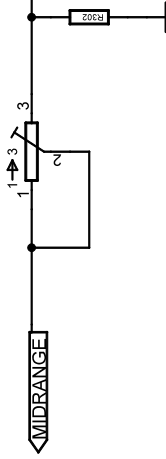
R291



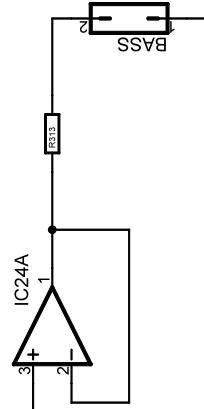
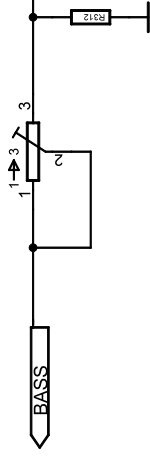
Output buffer



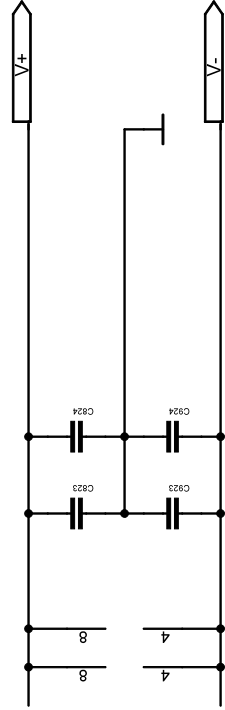
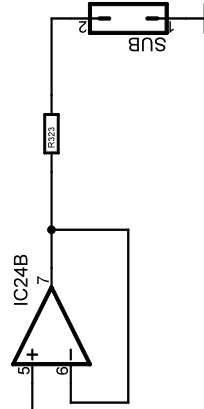
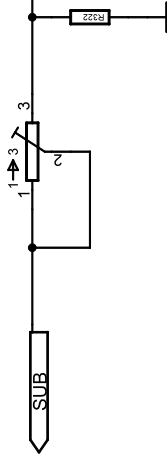
R301



R311



R321



Output buffer and level adjust

TITLE: Active filter one ver 1.0

Document Number:

REV:

Date: 28-03-2004 22:36:52

Sheet: 6/6