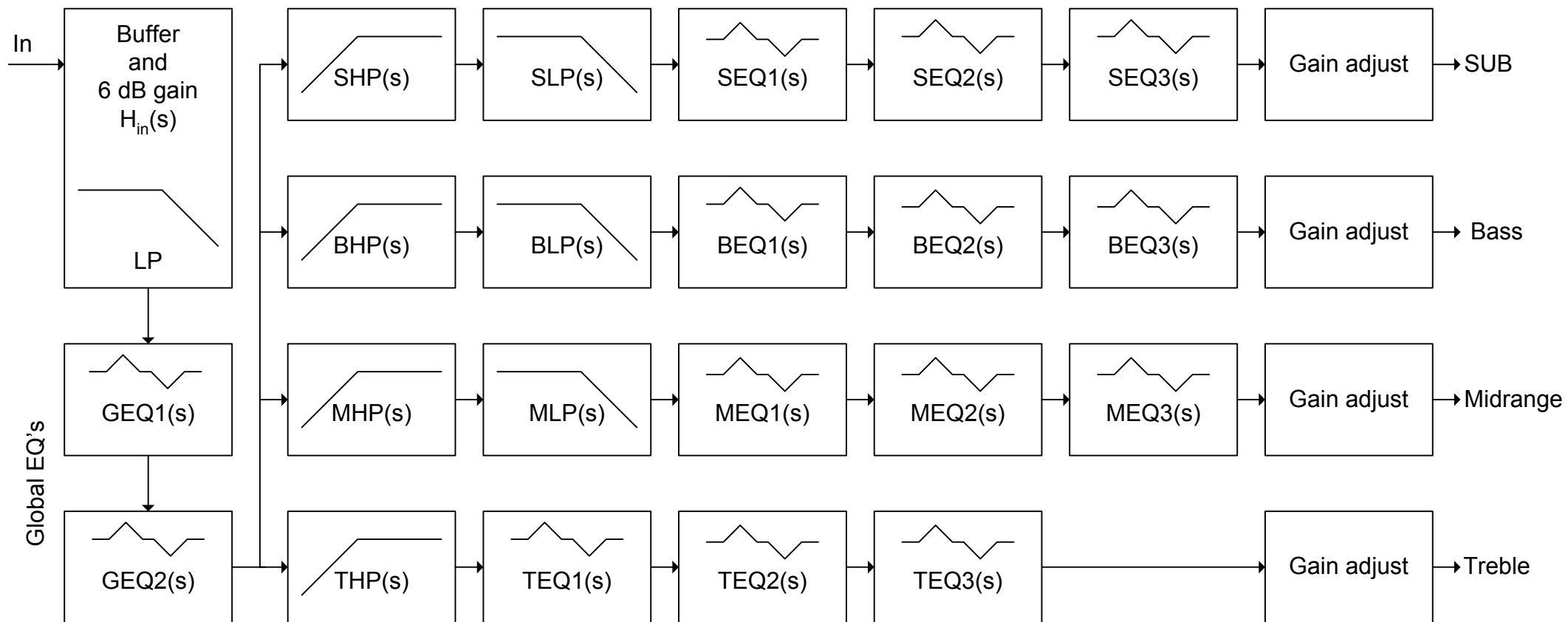


Overview of one channel

Each filterbox represents a fourth order section (-80dB/decade)



EQ sections can be either peaks or notch