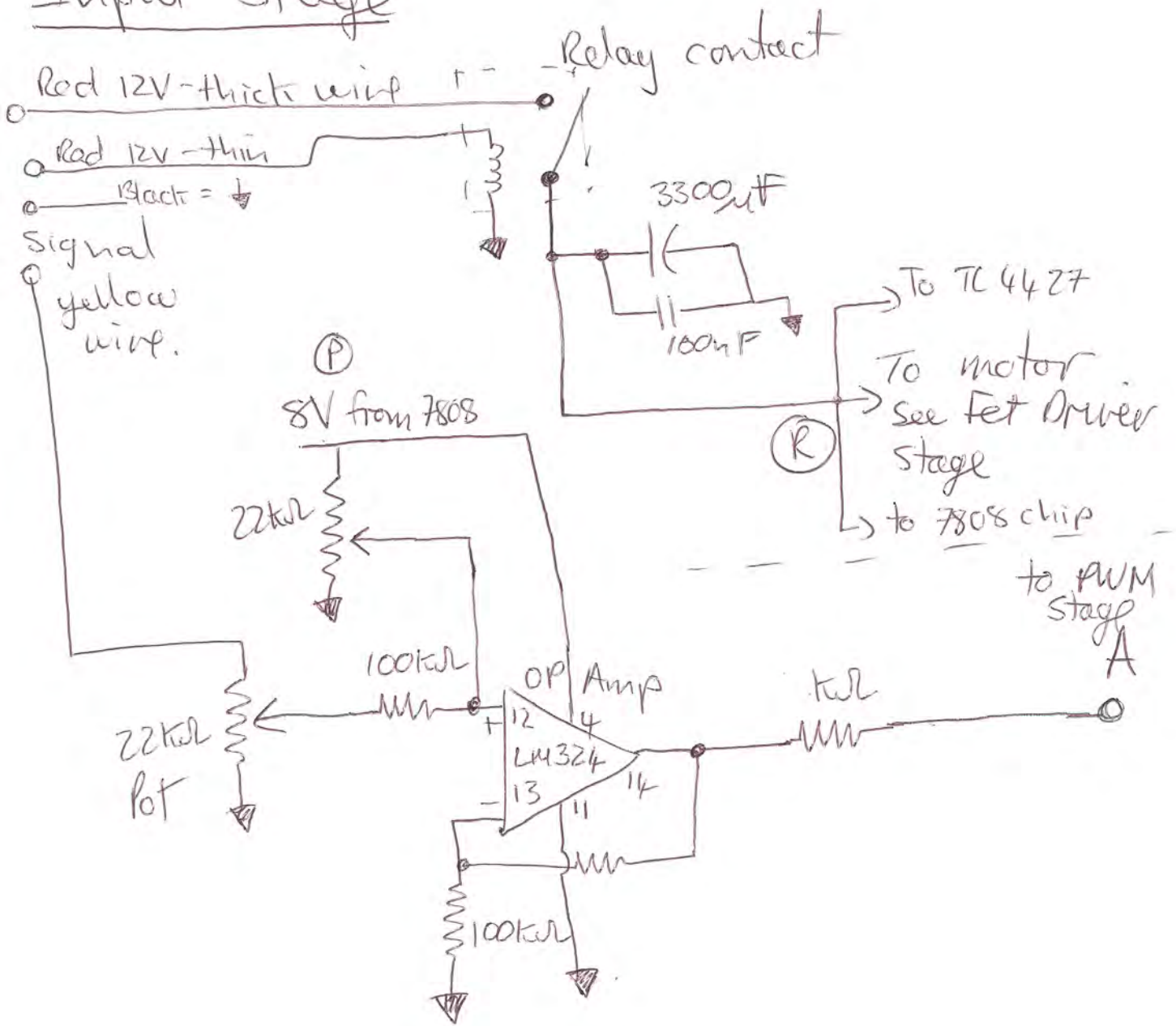
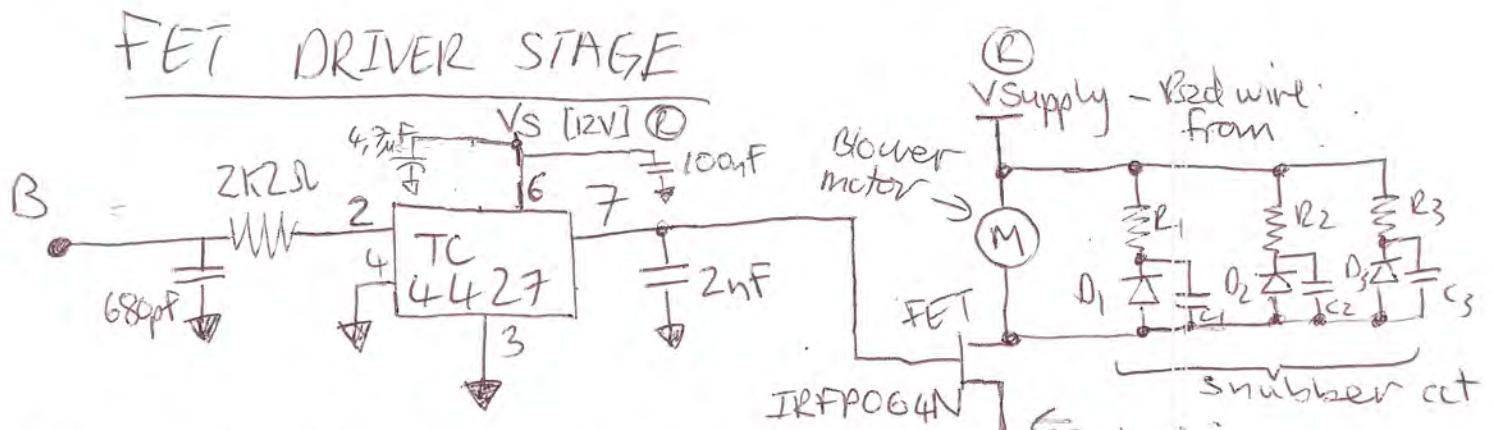
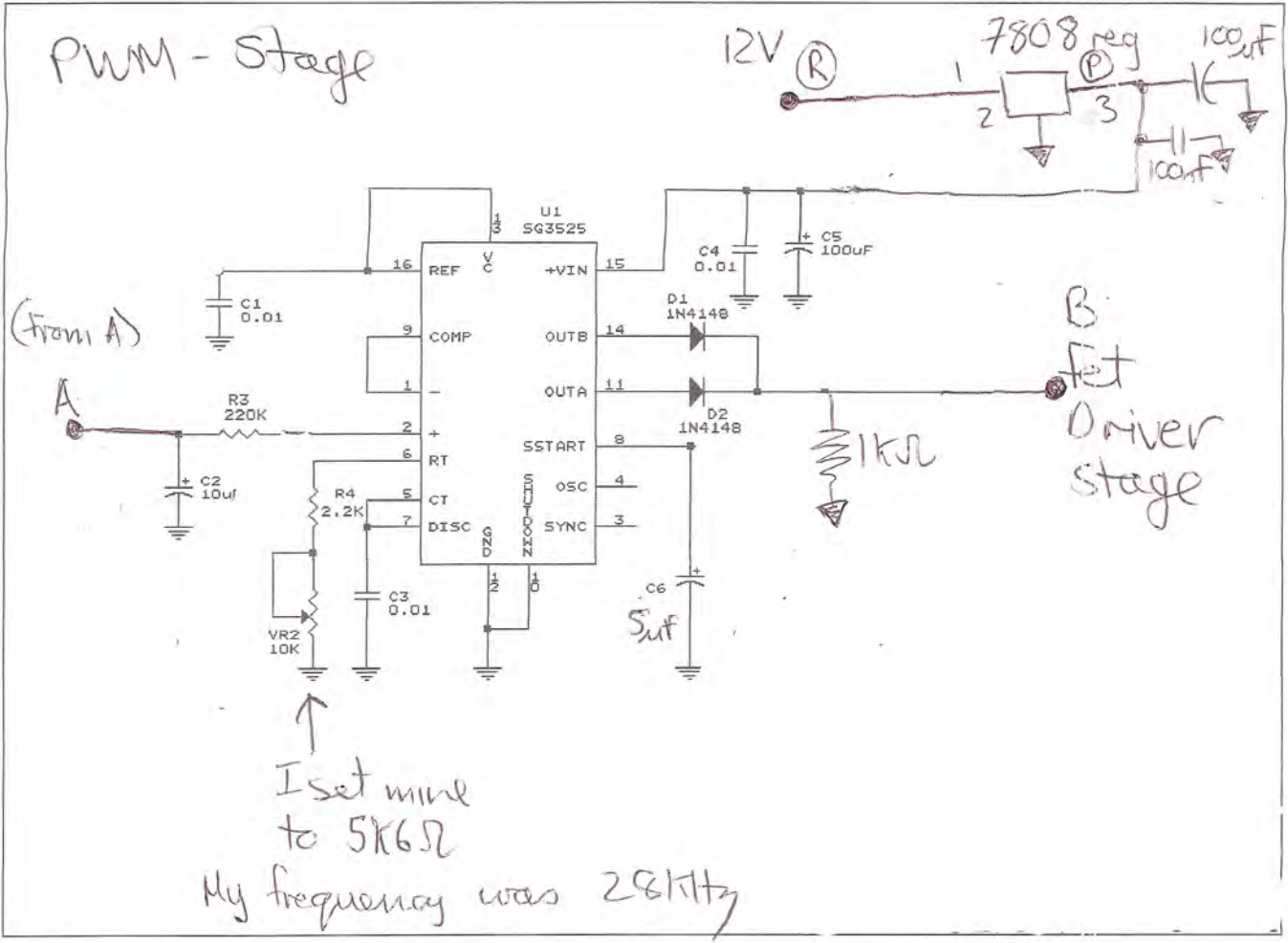


Input Stage





Notes: This earth must be very close to, or at the same place as the SG3525 IC earth.

- $R_1 = R_2 = R_3 = 0,22\Omega$ 5W
- $D_1 = D_2 = D_3 = UF5402$
- $C_1 = C_2 = C_3 = 680nF$ 100V