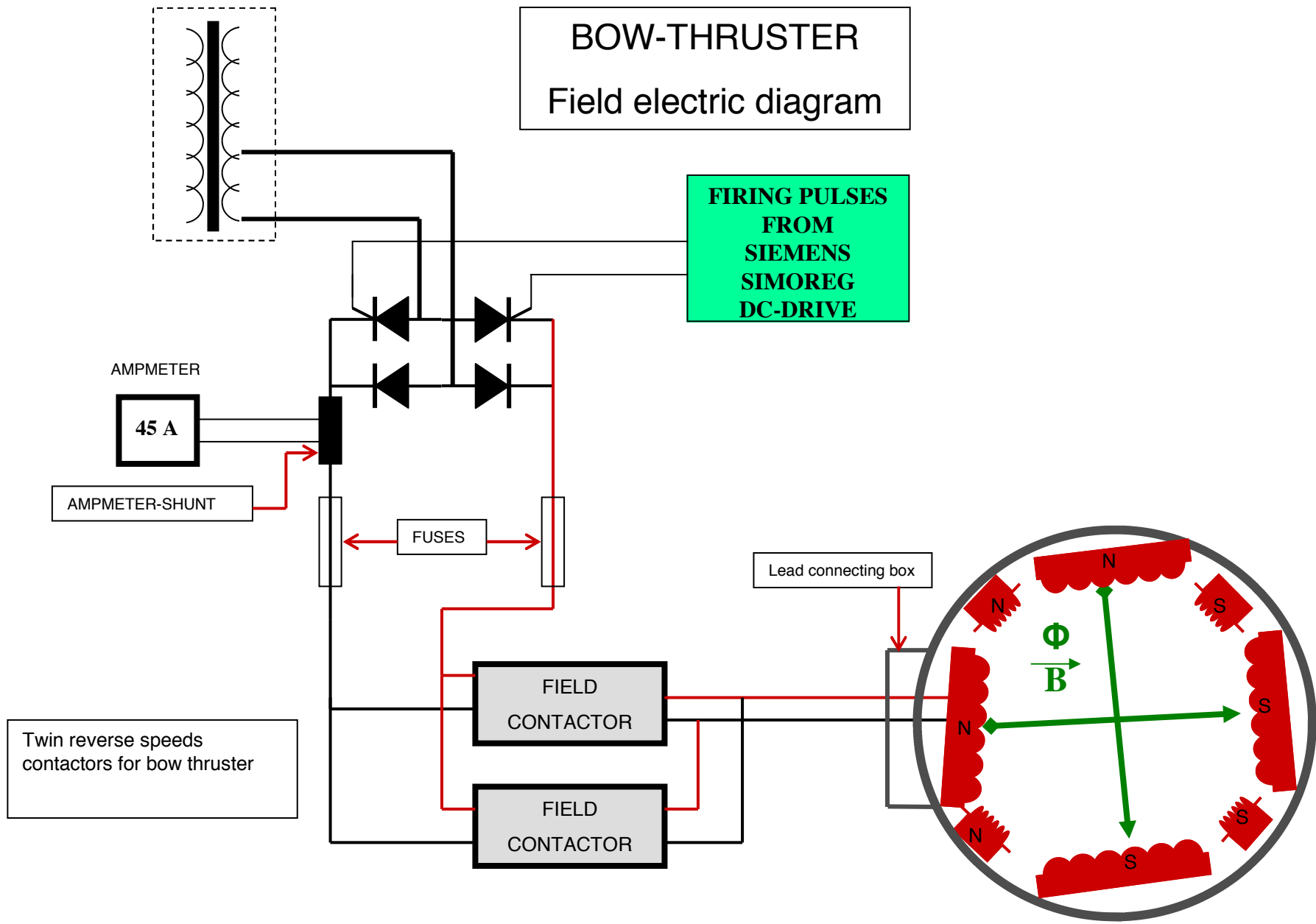


DC-MOTORS SCHEMATIC DRAWINGS



BOW-THRUSTER
Field electric diagram

FIRING PULSES FROM SIEMENS SIMOREG DC-DRIVE

AMPMETER

45 A

AMPMETER-SHUNT

FUSES

Lead connecting box

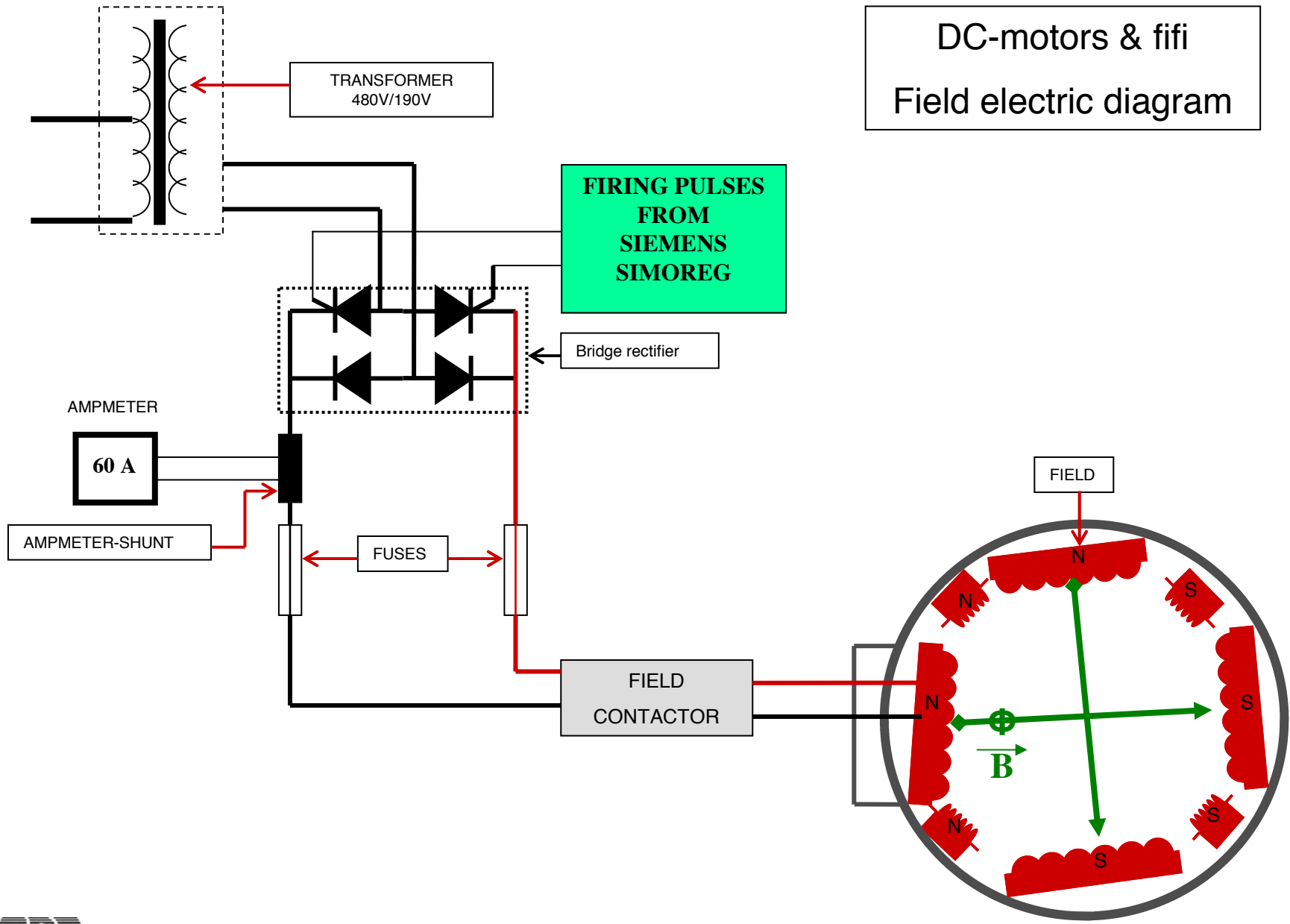
FIELD CONTACTOR

FIELD CONTACTOR

Twin reverse speeds contactors for bow thruster



DC-motors & fifi
Field electric diagram



DC-motors armature supply

