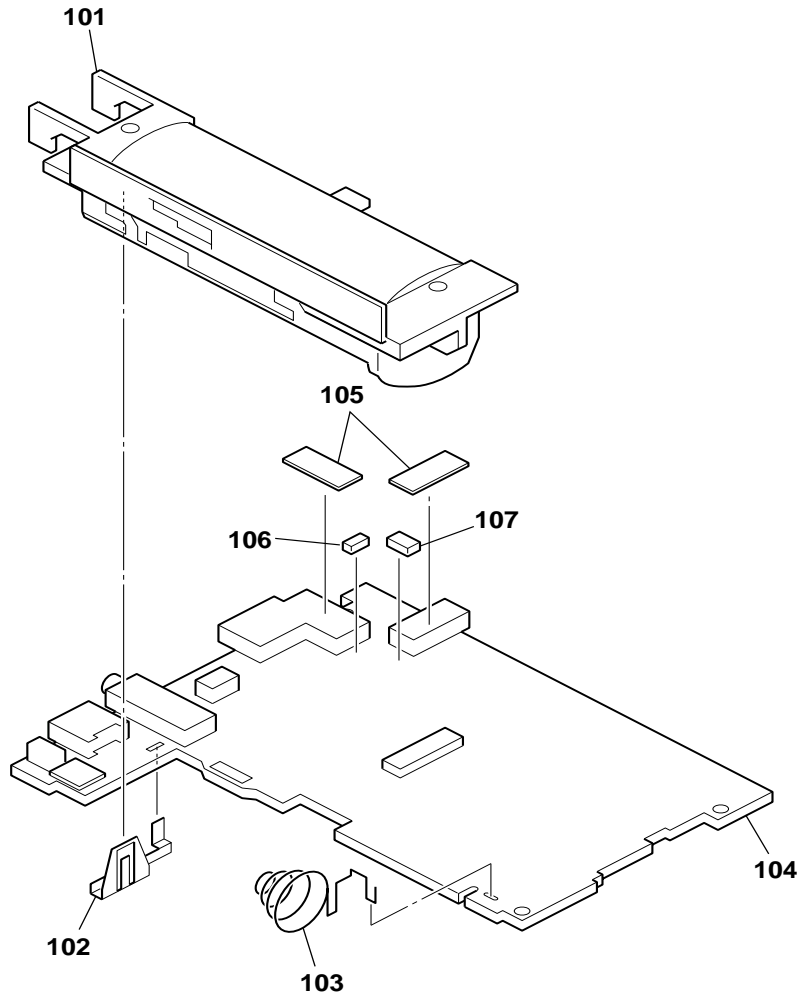


## 7-3. MAIN Board Section



<u>Ref. No.</u>	<u>Part No.</u>	<u>Description</u>	<u>Remark</u>	<u>Ref. No.</u>	<u>Part No.</u>	<u>Description</u>	<u>Remark</u>
101	3-246-247-01	CASE, BATTERY		104	A-3663-986-B	MAIN BOARD, COMPLETE(CND,MX)	
102	3-237-073-01	TERMINAL BOARD (+), BATTERY		105	3-253-535-01	SHEET (DC-IN)	
103	3-237-074-11	TERMINAL (-), BATTERY		106	3-253-534-01	CUSHION (H/J)	
104	A-3347-683-B	MAIN BOARD, COMPLETE		107	3-253-533-01	CUSHION (DC-IN)	