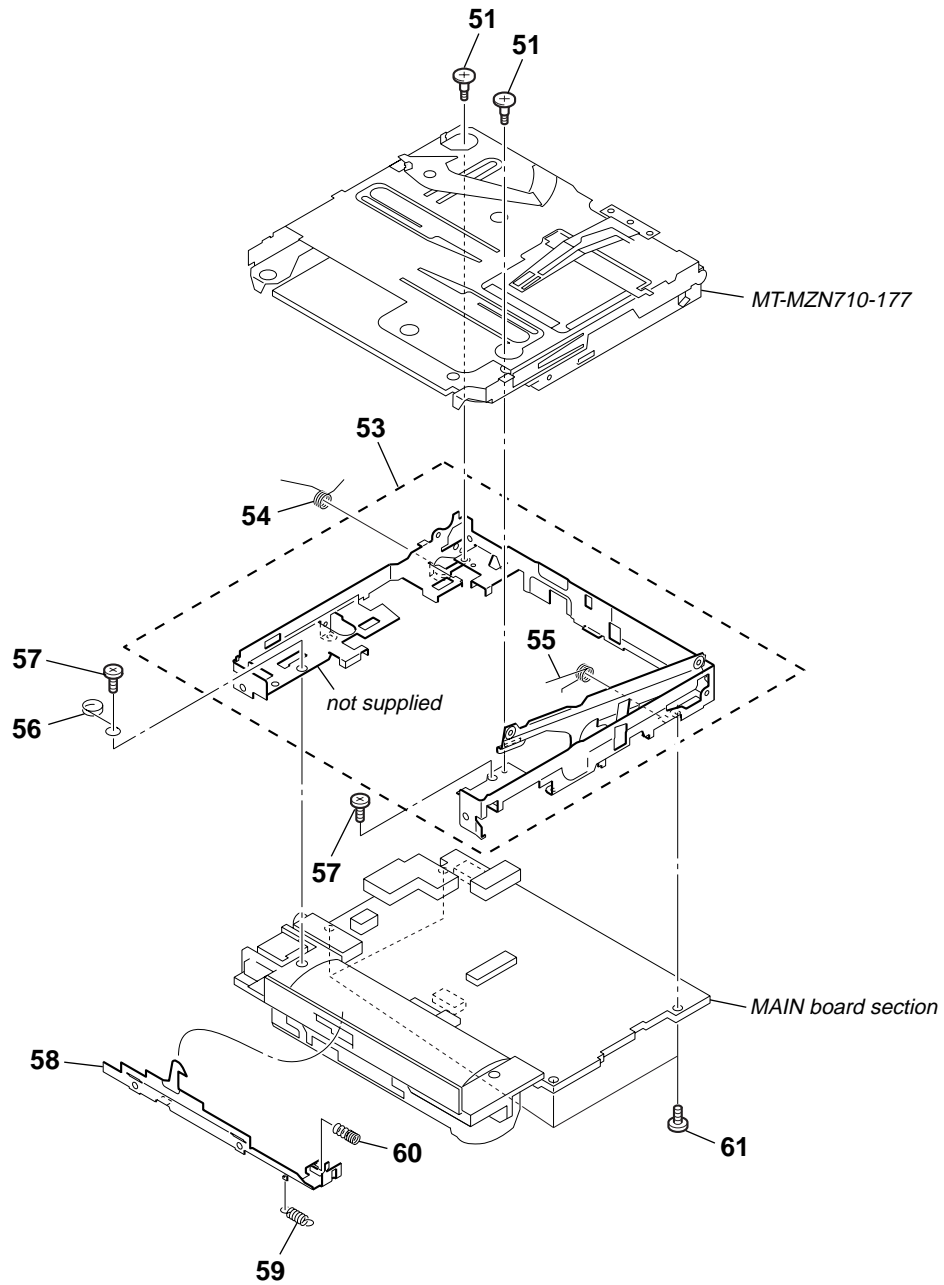


7-2. Chassis Section



Ref. No.	Part No.	Description	Remark	Ref. No.	Part No.	Description	Remark
51	3-237-072-02	SCREW (MD), STEP		57	3-318-382-91	SCREW (1.7X2.5), TAPPING	
53	X-3382-628-1	CHASSIS ASSY, SET		58	3-246-245-01	SLIDER, OPEN	
54	3-249-532-01	SPRING (POP UP-L), TORSION		59	3-237-082-01	SPRING (LOCK), TENSION	
55	3-237-083-01	SPRING (POP UP-R), TORSION		60	3-237-081-01	SPRING (LIMITTER), COMPRESSION	
56	3-250-692-01	SPRING (USB), GROUND		61	3-225-995-91	SCREW (M1.4) (EG), TOOTHED LOCK	