

SECTION 7 EXPLODED VIEWS

NOTE:

- -XX and -X mean standardized parts, so they may have some difference from the original one.
- Color Indication of Appearance Parts
Example:
KNOB, BALANCE (WHITE) . . . (RED)

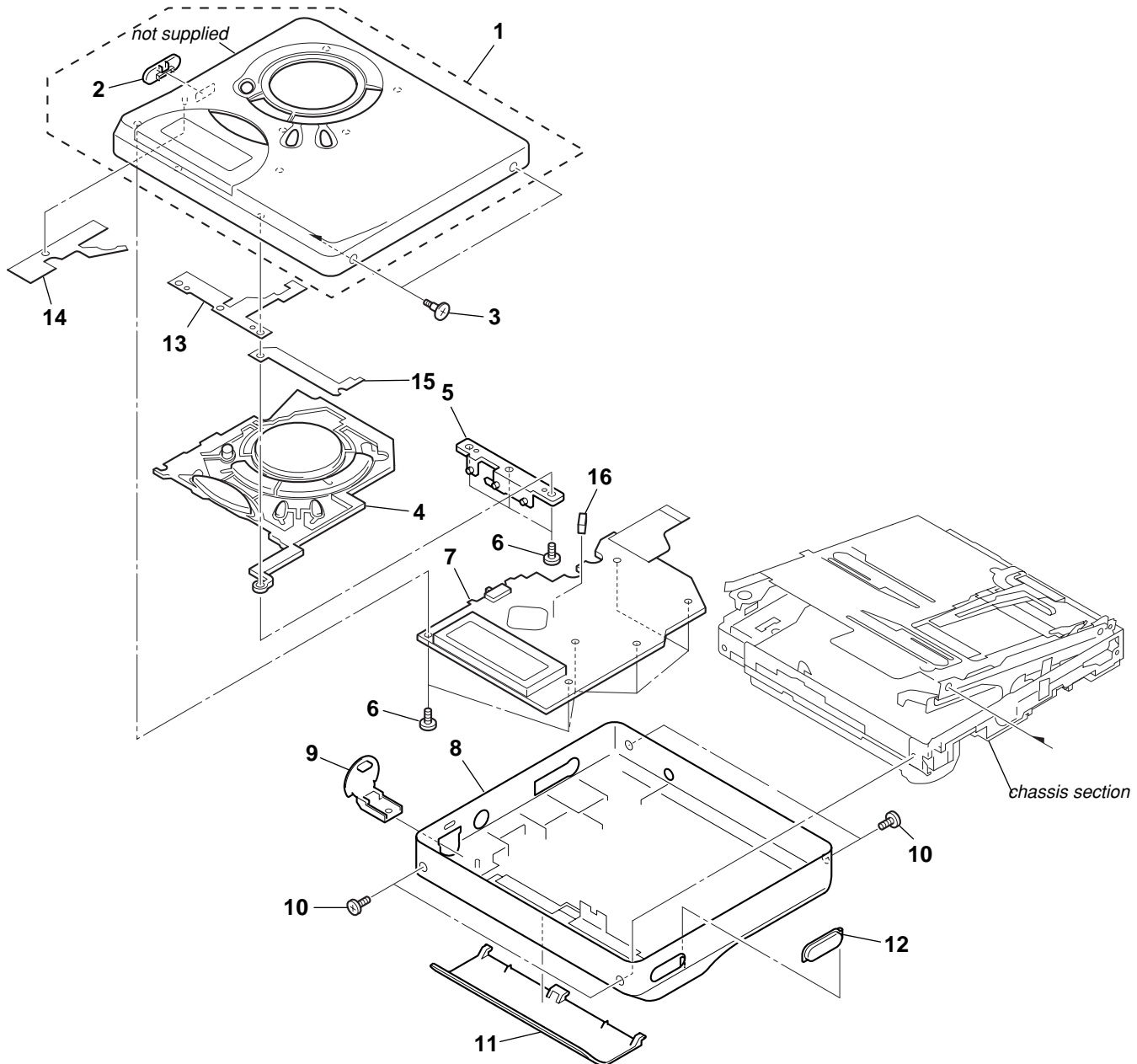
↑ ↑
Parts Color Cabinet's Color

- Items marked “*” are not stocked since they are seldom required for routine service. Some delay should be anticipated when ordering these items.
- Accessories are given in the last of the electrical parts list.
- Abbreviation
CND : Canadian model
MX : Mexican model

The components identified by mark \triangle or dotted line with mark \triangle are critical for safety. Replace only with part number specified.

Les composants identifiés par une marque \triangle sont critiques pour la sécurité. Ne les remplacer que par une pièce portant le numéro spécifié.

7-1. Case Section



Ref. No.	Part No.	Description	Remark	Ref. No.	Part No.	Description	Remark
1	X-3383-153-1	CASE (UPPER) (S) SUB ASSY (SILVER)		8	3-246-243-31	CASE LOWER (B)	
1	X-3383-154-1	CASE (UPPER) (B) SUB ASSY (BLUE)		9	3-246-248-01	CAP (USB)	
2	3-249-687-01	KNOB (HOLD) (SILVER)		10	3-234-449-19	SCREW (M1.4)	
2	3-249-687-11	KNOB (HOLD) (BLUE)		11	3-249-688-01	LID, BATTERY CASE (SILVER)	
3	3-241-529-01	SCREW, STEP		11	3-249-688-11	LID, BATTERY CASE (BLUE)	
4	3-246-238-01	BUTTON (CONTROL)		12	3-237-099-31	BUTTON (OPEN) (SILVER)	
5	3-237-097-01	LOCKER, OPEN		12	3-237-099-41	BUTTON (OPEN) (BLUE)	
6	3-375-114-71	SCREW		13	3-250-624-01	PAPER (O/L), GROUND	
7	1-804-989-11	LCD MODULE		14	3-253-357-01	PAPER (BUTTON), GROUND	
8	3-246-243-21	CASE LOWER (S)		16	3-253-762-01	CUSHION (PAUSE)	