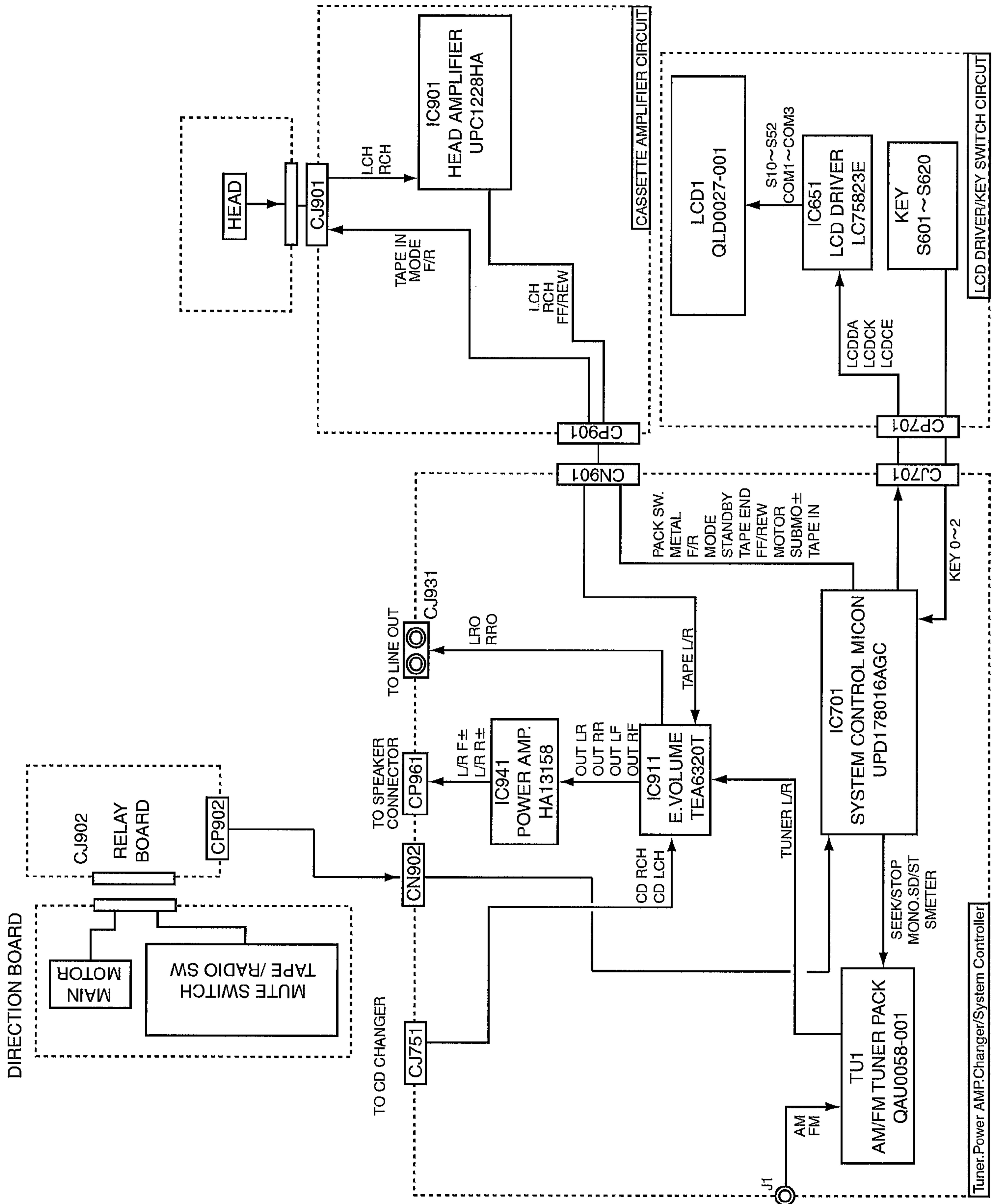
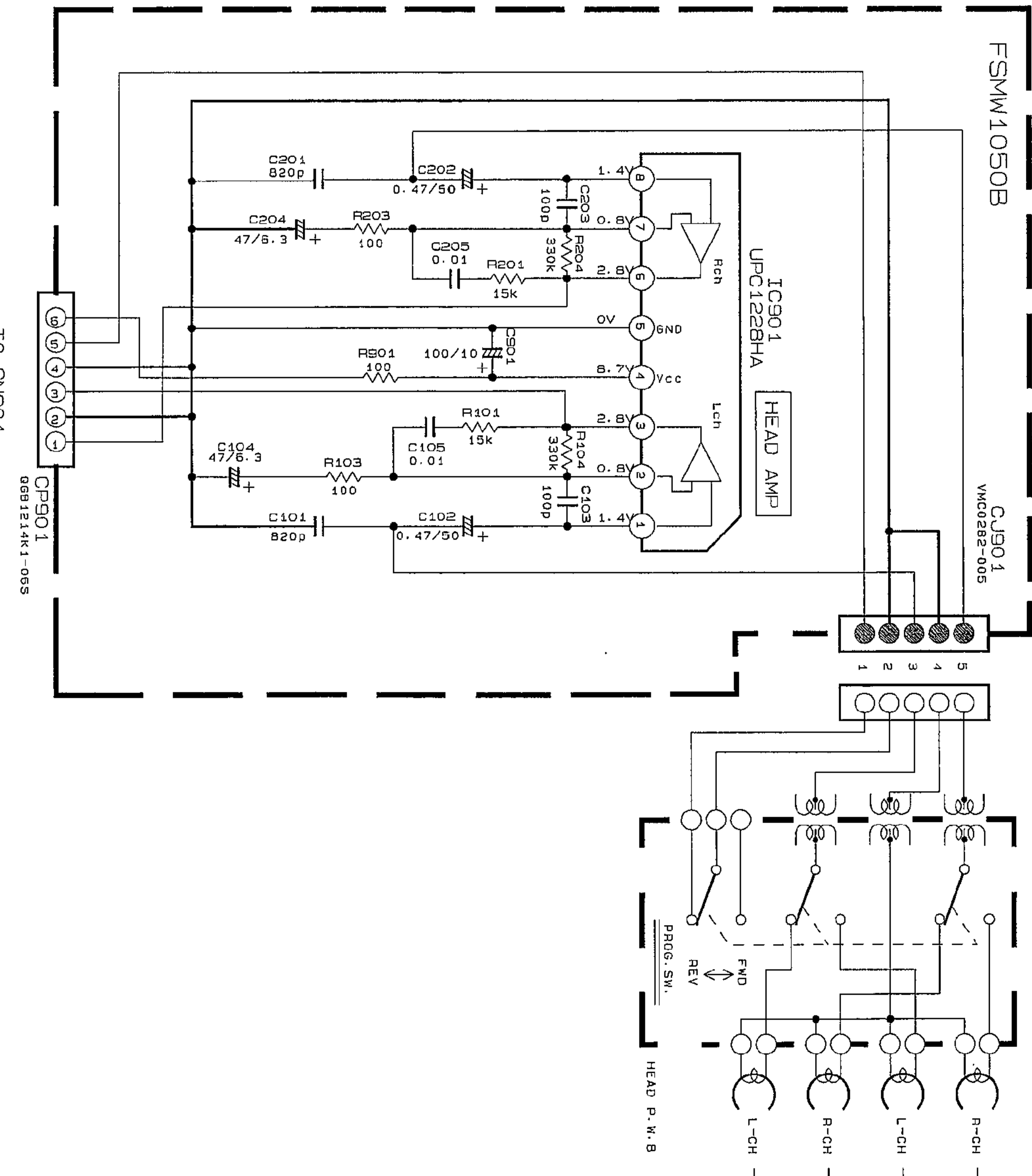
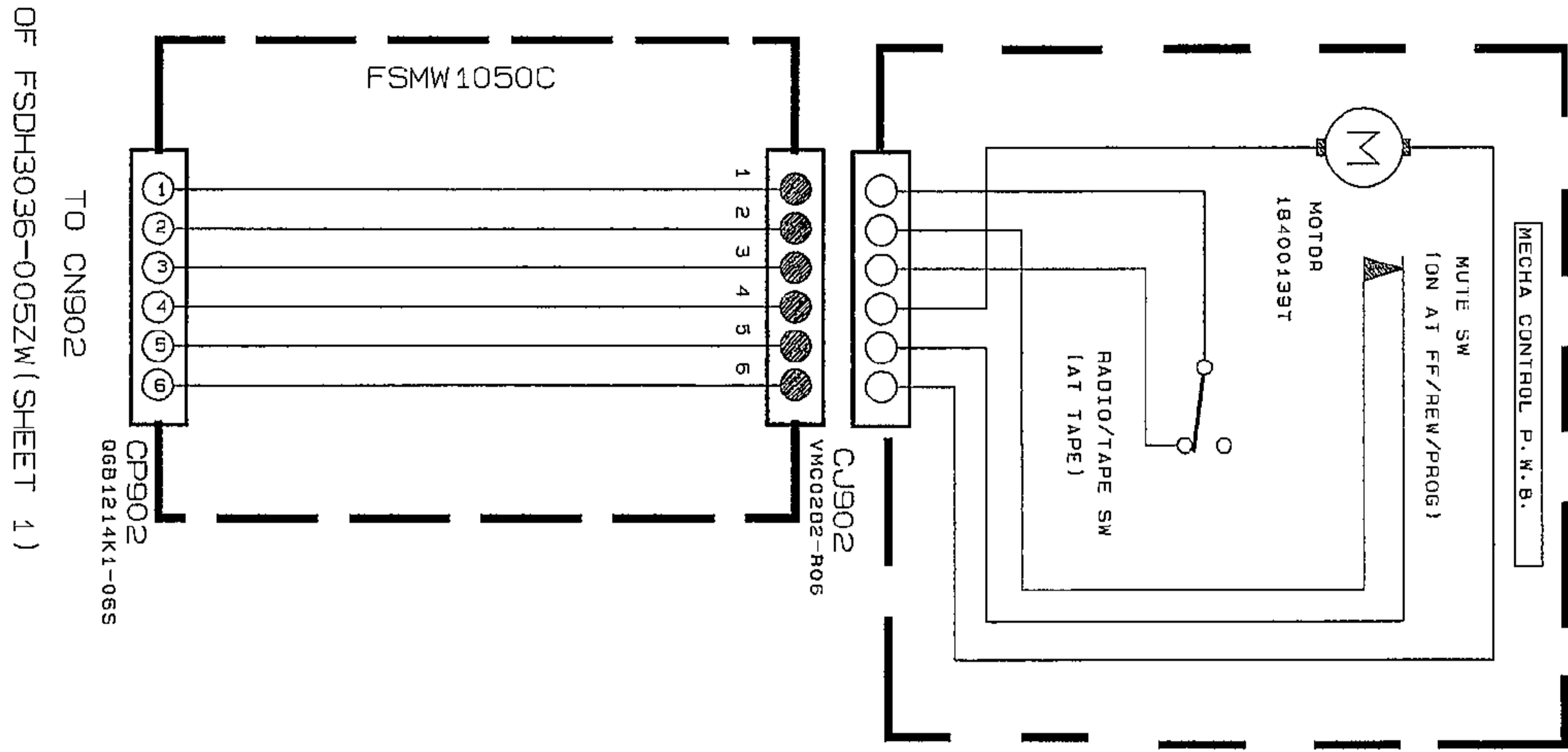


# Block Diagrams

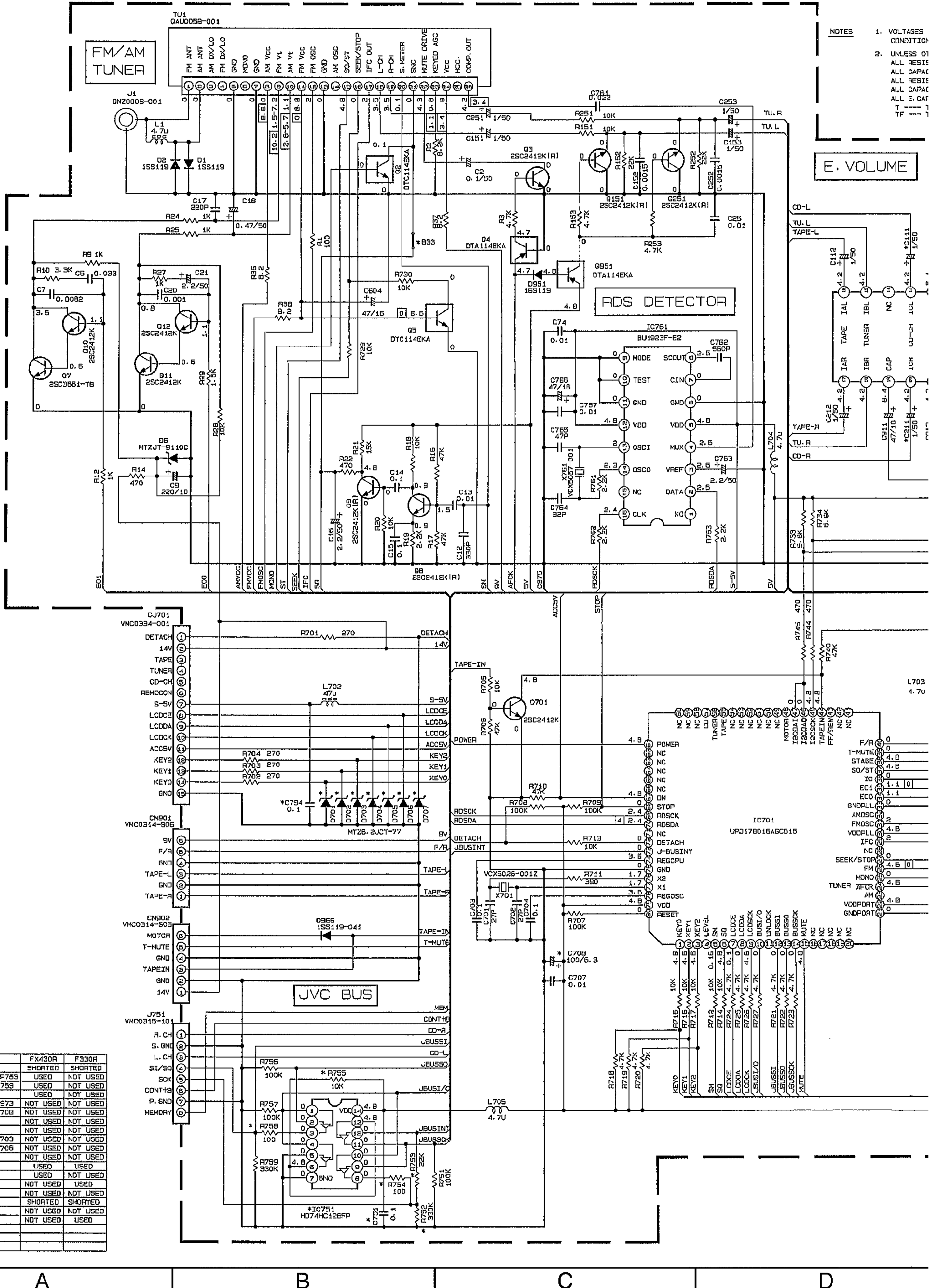


# Standara Schematic Diagrams

## Head Amplifier Circuit : Drawing No. FSDH3036-005MW



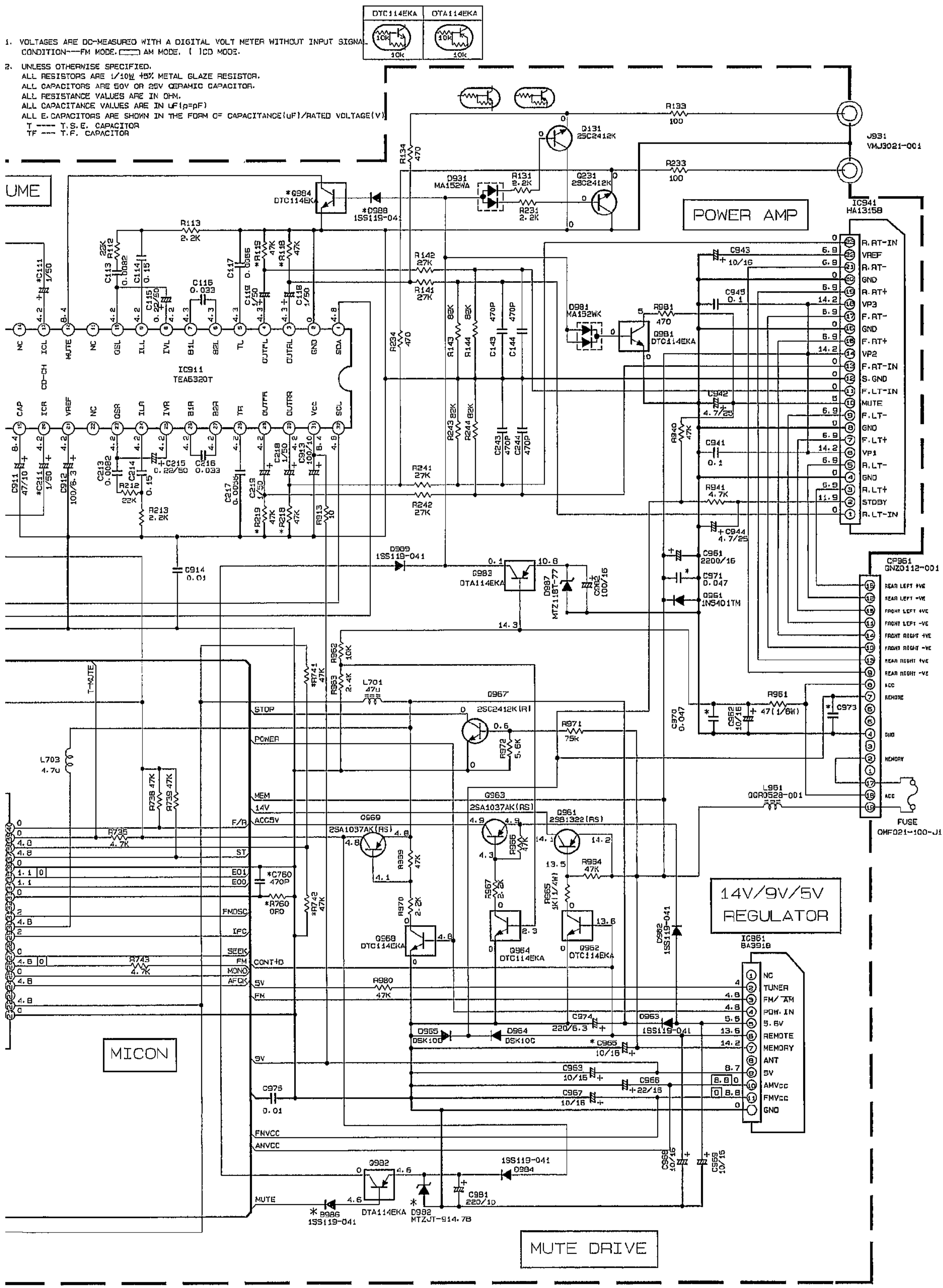
# Receiver & Main Circuit : Drawing No.FSDH3036-005ZW



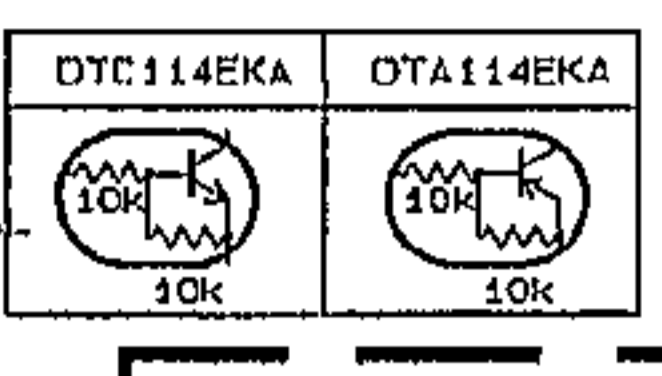
- NOTES**
1. VOLTAGES CONDITION
  2. UNLESS OTHERWISE SPECIFIED
  3. ALL RESISTORS IN OHMS UNLESS OTHERWISE SPECIFIED
  4. ALL CAPACITORS IN PICO FARADS UNLESS OTHERWISE SPECIFIED
  5. ALL CAPACITORS IN MICRO FARADS UNLESS OTHERWISE SPECIFIED
  6. ALL CAPACITORS IN FARADS UNLESS OTHERWISE SPECIFIED
  7. TYPICAL VALUES
  8. UNLESS OTHERWISE SPECIFIED

**\*REMARKS**

PARTS	FX430R	F330R
B968	SHORTED	SHORTED
IC751, R752, R753	USED	NOT USED
R754, R755, R758	USED	NOT USED
J751, C751	USED	NOT USED
C970, C971, C973	NOT USED	NOT USED
D982, C965, C708	NOT USED	NOT USED
R118, R119	NOT USED	NOT USED
R218, R219	NOT USED	NOT USED
D701, D702, D703	NOT USED	NOT USED
D704, D705, D706	NOT USED	NOT USED
D707	NOT USED	NOT USED
B93	USED	USED
R741	USED	NOT USED
R742	NOT USED	USED
C754	NOT USED	NOT USED
C760	SHORTED	SHORTED
R760	NOT USED	NOT USED
C111, C211	NOT USED	USED



1. VOLTAGES ARE DC-MEASURED WITH A DIGITAL VOLT METER WITHOUT INPUT SIGNAL.  
CONDITION—FM MODE. □ AM MODE. ( LCD MODE.
2. UNLESS OTHERWISE SPECIFIED,  
ALL RESISTORS ARE 1/10W 45% METAL GLAZE RESISTOR.  
ALL CAPACITORS ARE 50V OR 25V CERAMIC CAPACITOR.  
ALL RESISTANCE VALUES ARE IN OHM.  
ALL CAPACITANCE VALUES ARE IN PF (p=PF)  
ALL E. CAPACITORS ARE SHOWN IN THE FORM OF CAPACITANCE(UF)/RATED VOLTAGE(V)  
T --- T. S. E. CAPACITOR  
TF --- T. F. CAPACITOR



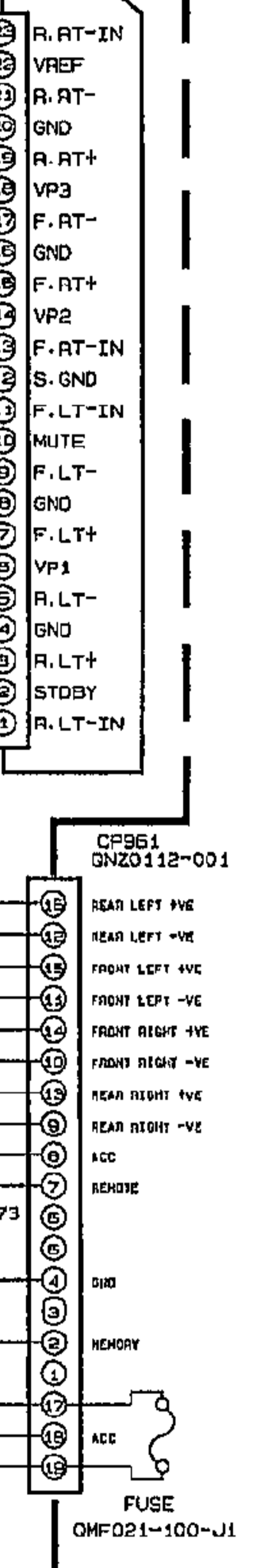
UME

POWER AMP

MICON

MUTE DRIVE

14V/9V/5V  
REGULATOR

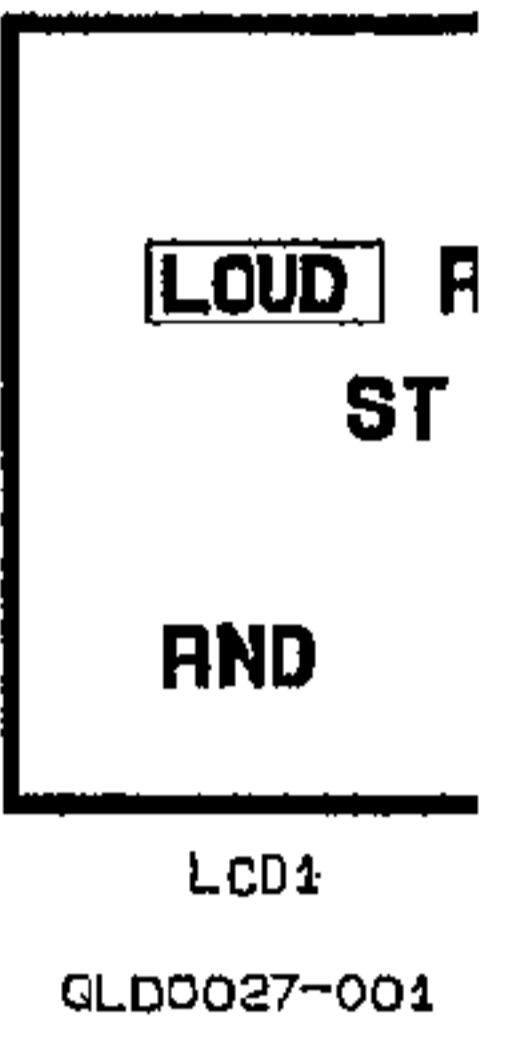


■ LCD Driver & Operation Switch Circuit : Drawing No.FSDH3036-005SW

NOTES

1. VOLTAGES ARE DC-MEASURED WITH A DIGITAL VOLT METER WITHOUT INPUT SIGNAL.  
CONDITION - - - FM MODE
2. UNLESS OTHERWISE SPECIFIED,  
ALL RESISTORS ARE 1/4W 5% CARBON RESISTOR OR 1/4W, 1/10W 5% METAL GLAZE RESISTOR.  
ALL CAPACITORS ARE 50V CERAMIC CAPACITOR.  
ALL RESISTANCE VALUES ARE IN OHM (Ω).  
ALL CAPACITANCE VALUES ARE IN μF (P=pF).  
ALL E. CAPACITORS ARE SHOWN IN THE FORM OF CAPACITANCE(μF) / RATED VOLTAGE(V).

TO CJ701  
FSDH3036-005ZW(SHEET 1)



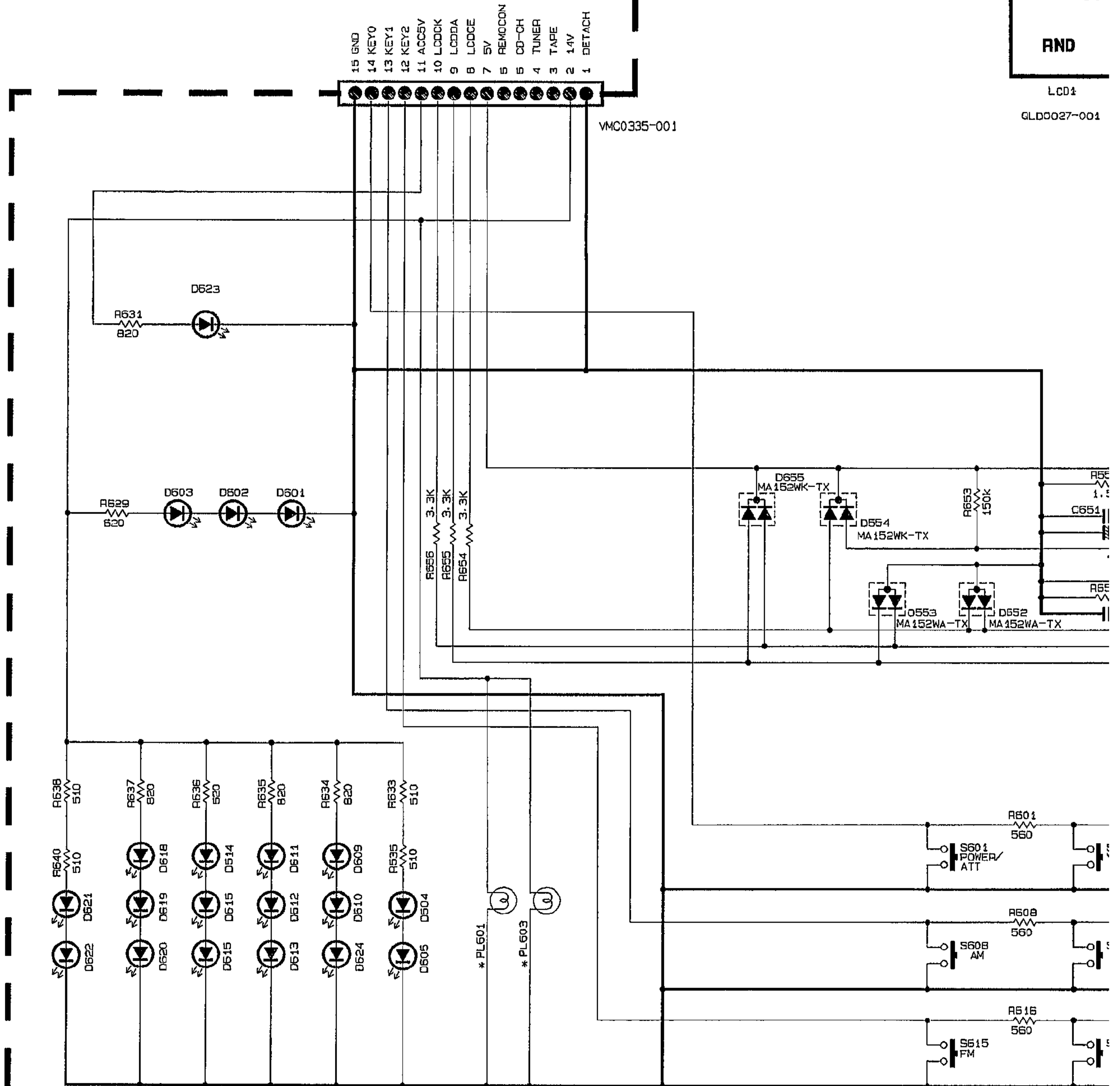
5

4

3

2

1



D601-D622, D624: SML-210FT/JKL/W  
D623: SML-210LT/LM/-X

PL da11 gr:0 :

Version	B. E. G	
Ref No.	GLL0003-001	
PL501, PL503		

A

B

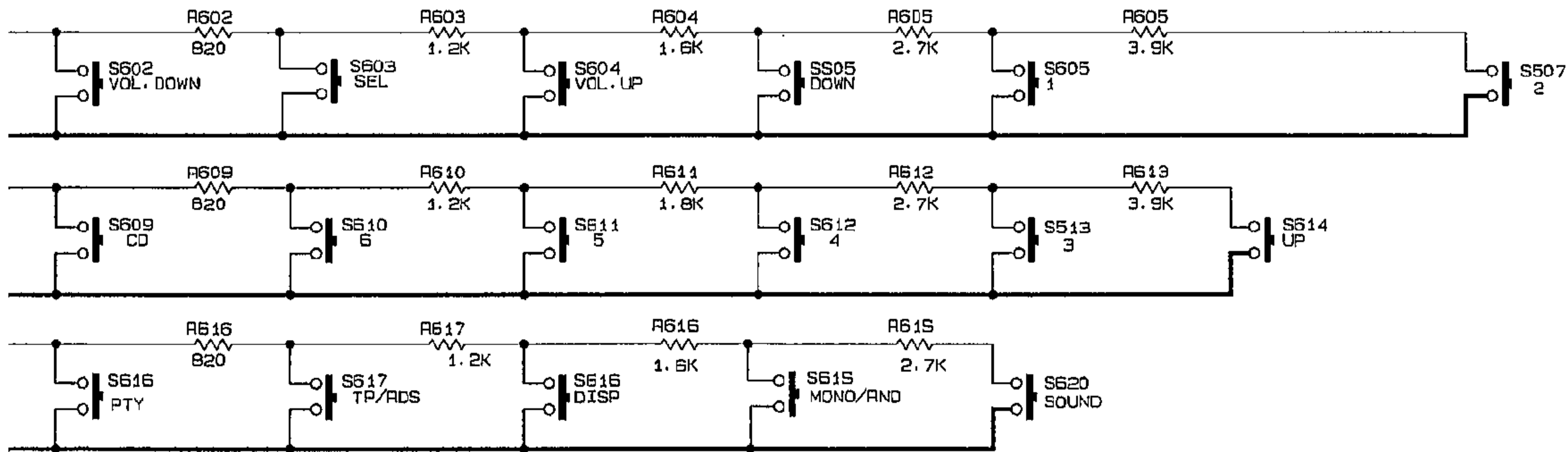
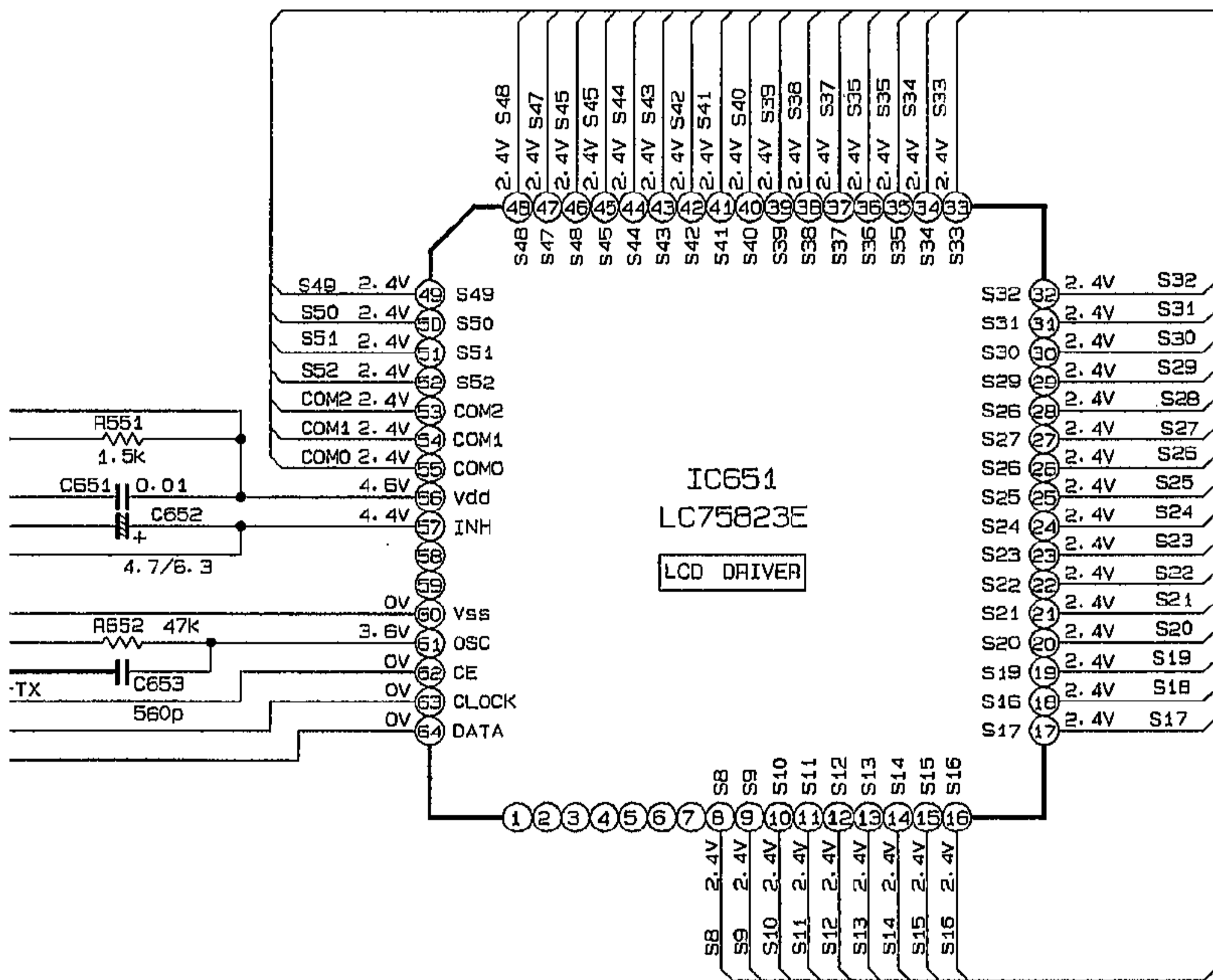
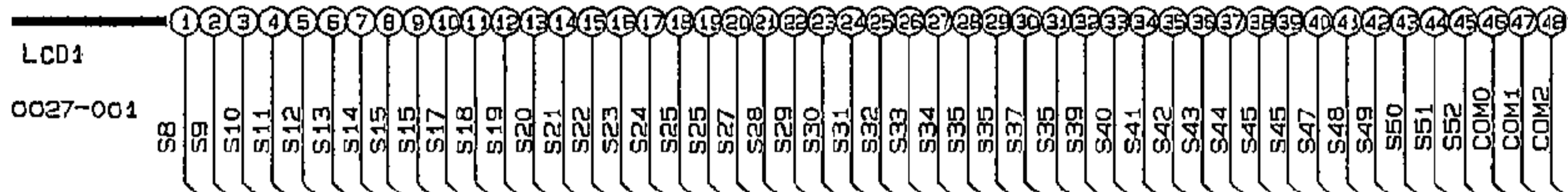
C

3-4

LOUD RPT  
ST MO  
RND



EON  
TP NEWS  
AF REG



S601-S620: QSD4H11-V09Y

SW. P. W. B. FSMW1051