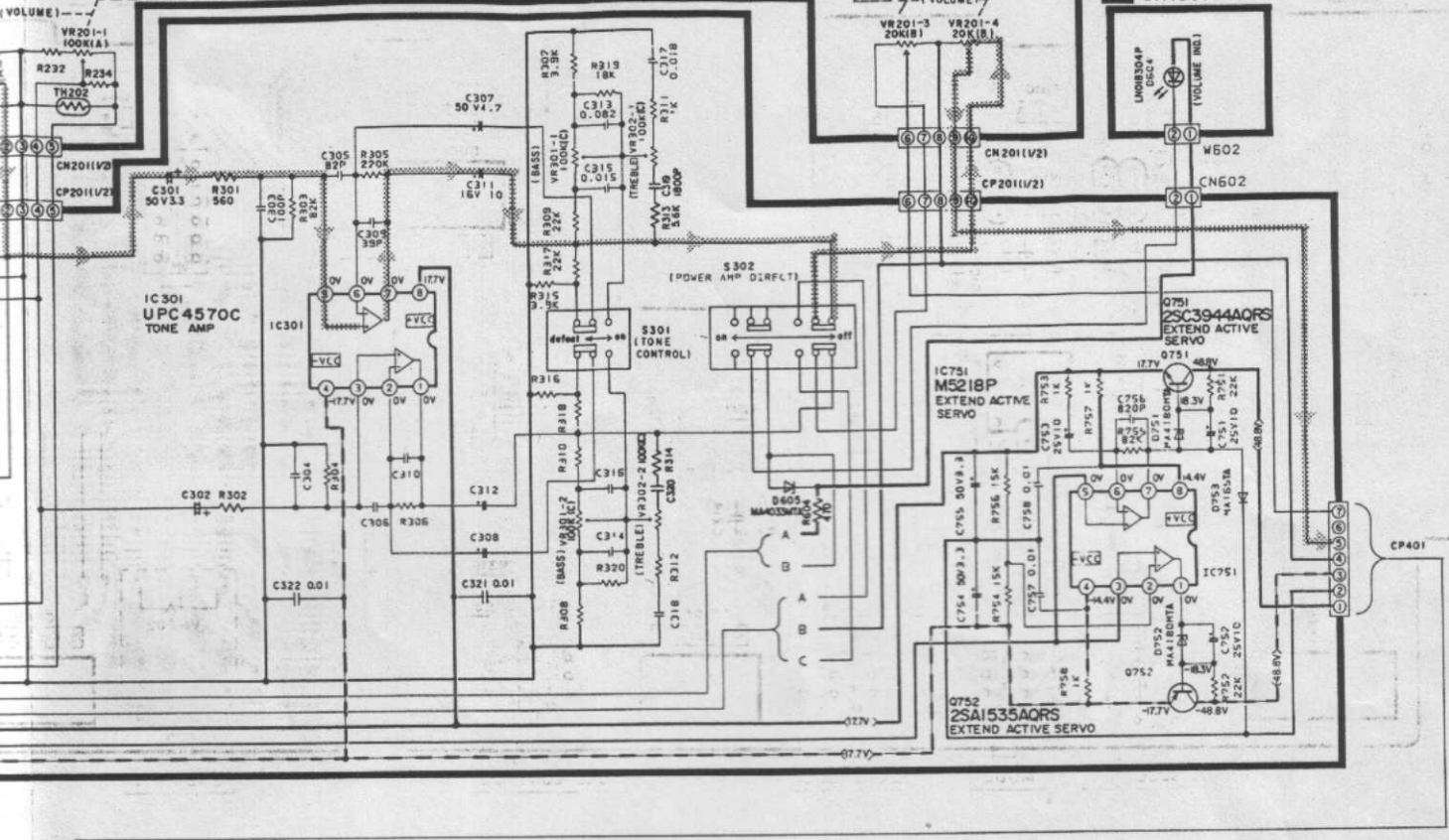


## ME CIRCUIT



## D LED (VOLUME IND.) CIRCUIT

