

A

A

B

B

C

C

D

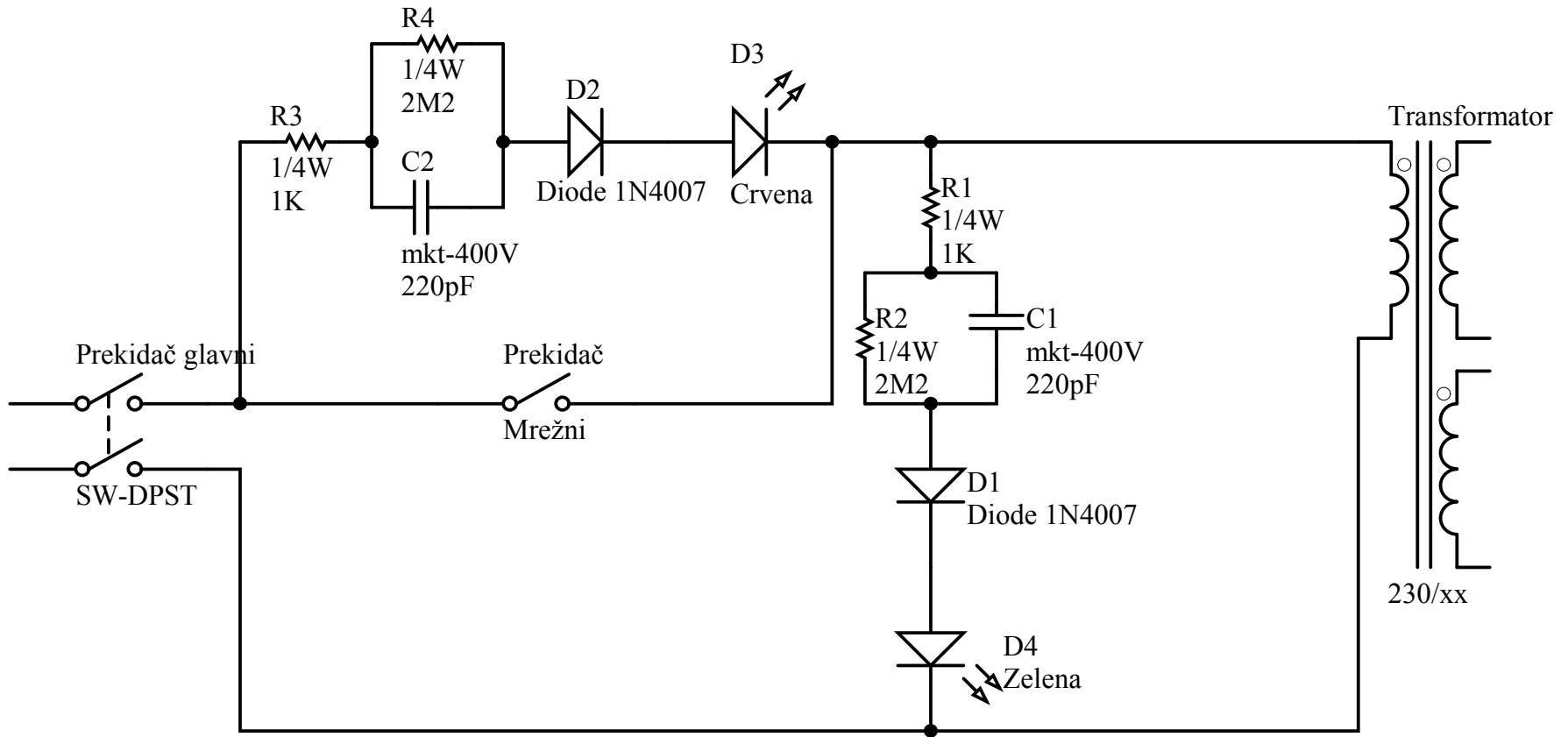
D

1

2

3

4



Title		
Size	Number	Revision
A4		
Date:	19.5.2010	Sheet of
File:	Sheet1.SchDoc	Drawn By:

1

2

3

4