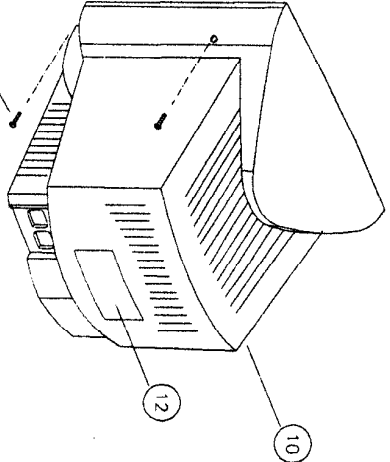
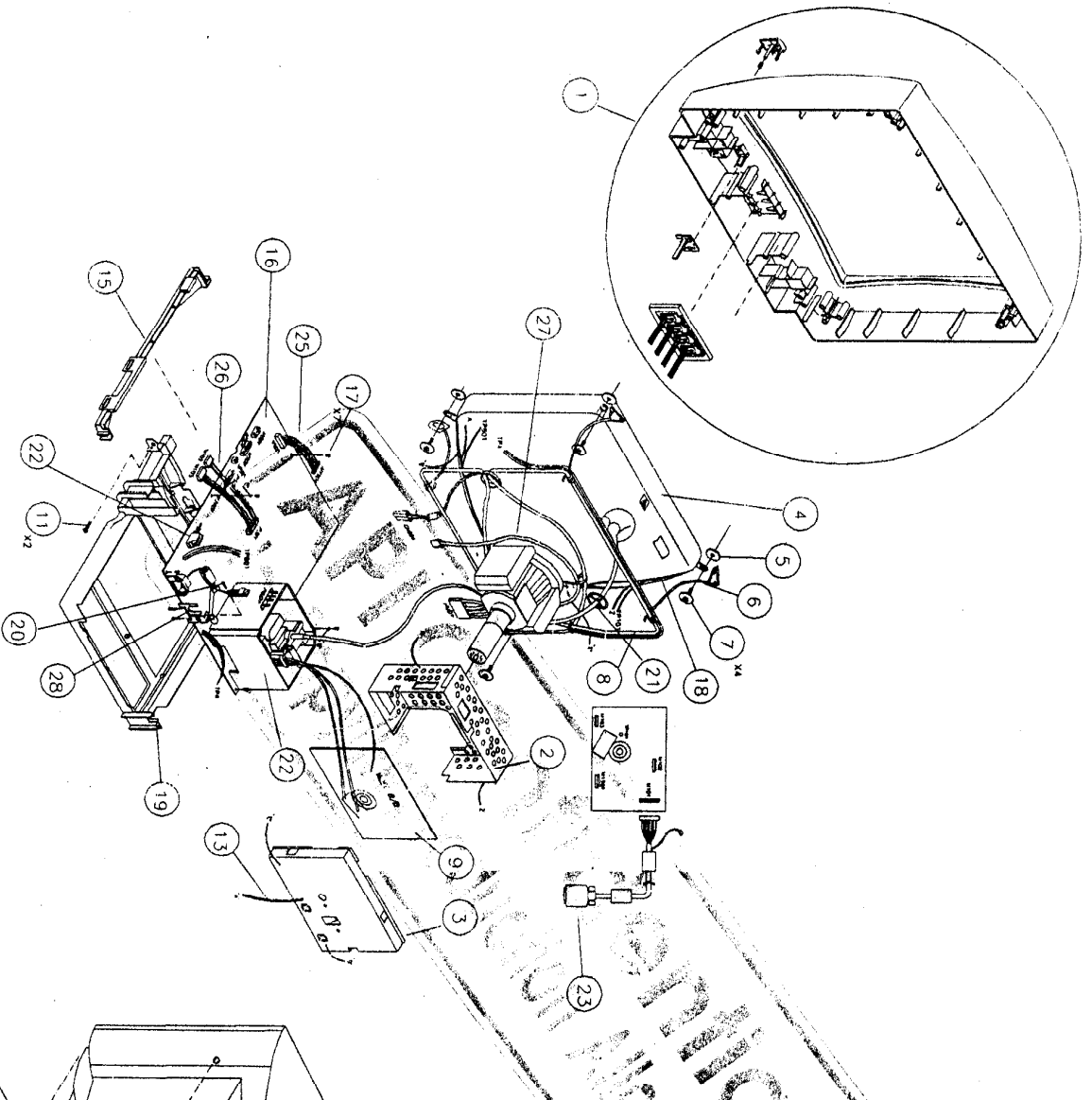


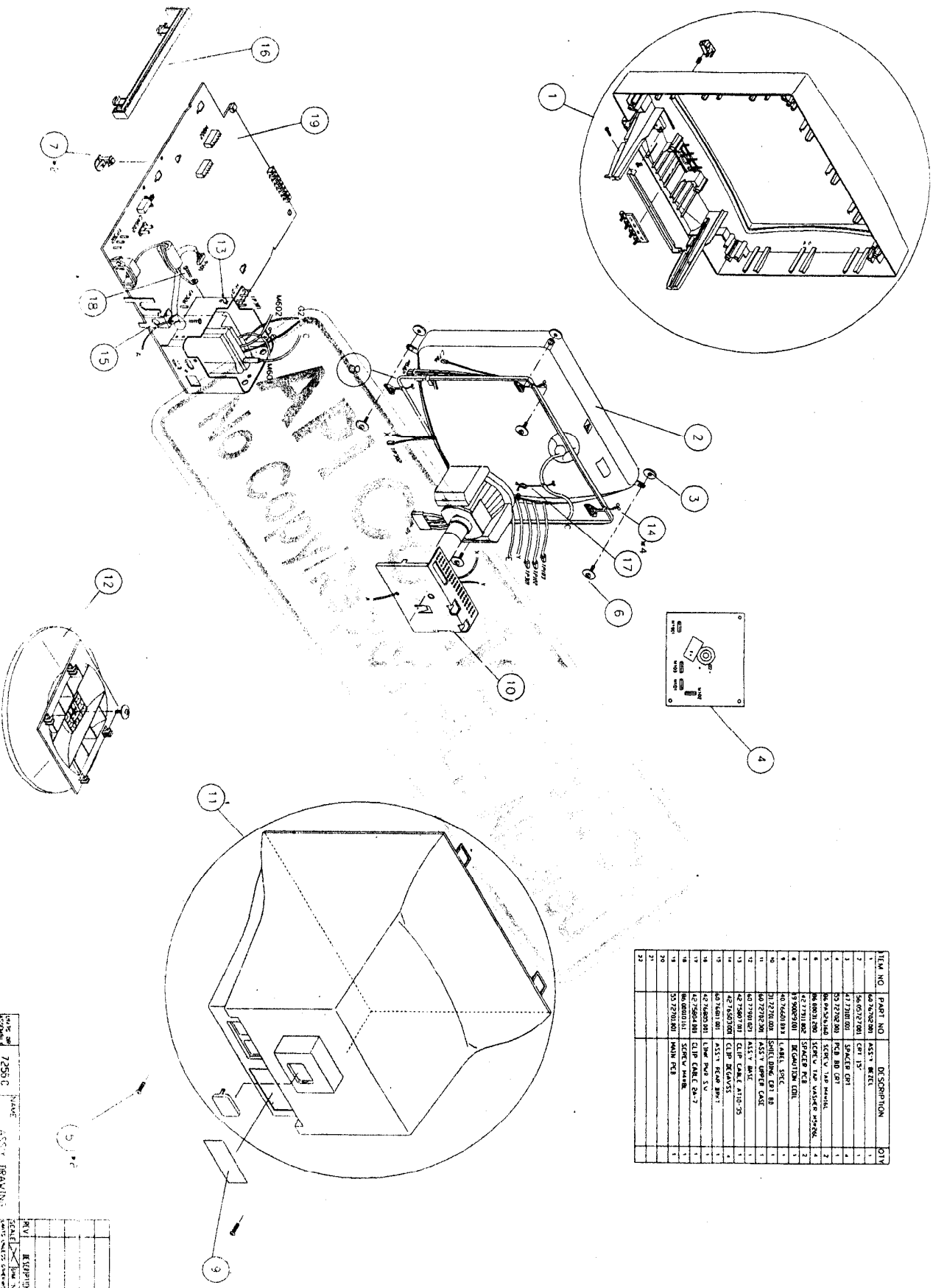
ITEM NO	PART NO	DESCRIPTION	QTY
1	60 72408 00X	ASSY BRK	1
2	31 72402 00X	PLATE SHLD COVER	1
3	31 72401 00X	PLATE SHLD REAR	1
4	56 05228 00X	CR1 17"	1
5	47 71504 00X	CR1 SPACER	4
6	42 72805 00X	CR1 CABINET	4
7	86 00046 280	SCW #4 X W/SHR W/20X C-IN CR1-4	4
8	19 90035 00X	COL. DECAUSSING TIRE	1
9	55 72802 00X	WELD BR	1
10	60 72409 00X	ASSY CASE U	1
11	86 P4526 160	SCW 1/4" DIA W/SHR W/20X C-IN BR	6
12	40 72902 001	SPEC LABL	1
13	50 60311 01X	W A W/COIL) RD 115MM	1
14	60 72410 00X	ASSY BASK A85 718E	1
15	42 72406 00X	LINK POWER	1
16	55 72801 00X	WELD BR 72761	1
17	86 W424 B01	SCREW TC CAP EXT/1000TH W/SHLD CZ	7
18	50 72804 00X	W A IP-6 BD 180MM	1
19	60 72808 001	ASSY FRAME	1
20	86 00040 161	SCW 1/4" DIA W/SHR W/20X C-IN CR1-4	1
21	*227105 00X	CLIP FAT	1
22	34 72801 00X	FBI HSNK	1
23	50 72401 00X	SA 131/5P 1846MM002 W/C	1
24	50 72803 00X	W A IP 1015222 1300MM	1
25	50 72802 00X	W A 9710P 2854+100724 300MM	1
26	50 72802 00X	W A 5A/6/11P 100724 380MM	1
27	19 47003 00X	COL TIRE 7278E	1
28	33 72401 00X	BRK-T REAR SECC	1



REV	DESCRIPTION	DATE
1	ASSEMBLY	10/1/88
2	REVISED	10/1/88
3	REVISED	10/1/88
4	REVISED	10/1/88
5	REVISED	10/1/88
6	REVISED	10/1/88
7	REVISED	10/1/88
8	REVISED	10/1/88
9	REVISED	10/1/88
10	REVISED	10/1/88
11	REVISED	10/1/88
12	REVISED	10/1/88
13	REVISED	10/1/88
14	REVISED	10/1/88
15	REVISED	10/1/88
16	REVISED	10/1/88
17	REVISED	10/1/88
18	REVISED	10/1/88
19	REVISED	10/1/88
20	REVISED	10/1/88
21	REVISED	10/1/88
22	REVISED	10/1/88
23	REVISED	10/1/88
24	REVISED	10/1/88
25	REVISED	10/1/88
26	REVISED	10/1/88
27	REVISED	10/1/88
28	REVISED	10/1/88

NAME: ASSY DRAWING  
 DATE: 7 2 7 8 C  
 DRAWN: S. R. LIND  
 CHECKED: S. R. LIND  
 APPROVED: S. R. LIND  
 57 22802 001

ITEM NO.	PART NO.	DESCRIPTION	QTY
1	607602000	ASSY W/REEL	1
2	560572000	CR1 15"	1
3	417300000	SPACER CR1	4
4	551270000	PCB B0 CR1	2
5	866454000	SECT V LAP MOUNT	2
6	866003000	SECT V LAP VASLER MOUNT	4
7	427201000	SPACER PCB	2
8	833005000	RE-CONTRON CONT.	1
9	805001000	LEAKS SECT V B0	1
10	401270000	ASSY UPPER CASE	1
11	401270000	ASSY MISC	1
12	427500000	CLIP CABLE A110-25	1
13	427500000	CLIP DEWASS	1
14	407400000	LAMP PUMP 3 V	1
15	427500000	CLIP CABLE 2A-7	1
16	866000100	SECT V MOUNT	1
17	551270000	MAIN PCB	1
18			
19			
20			
21			
22			



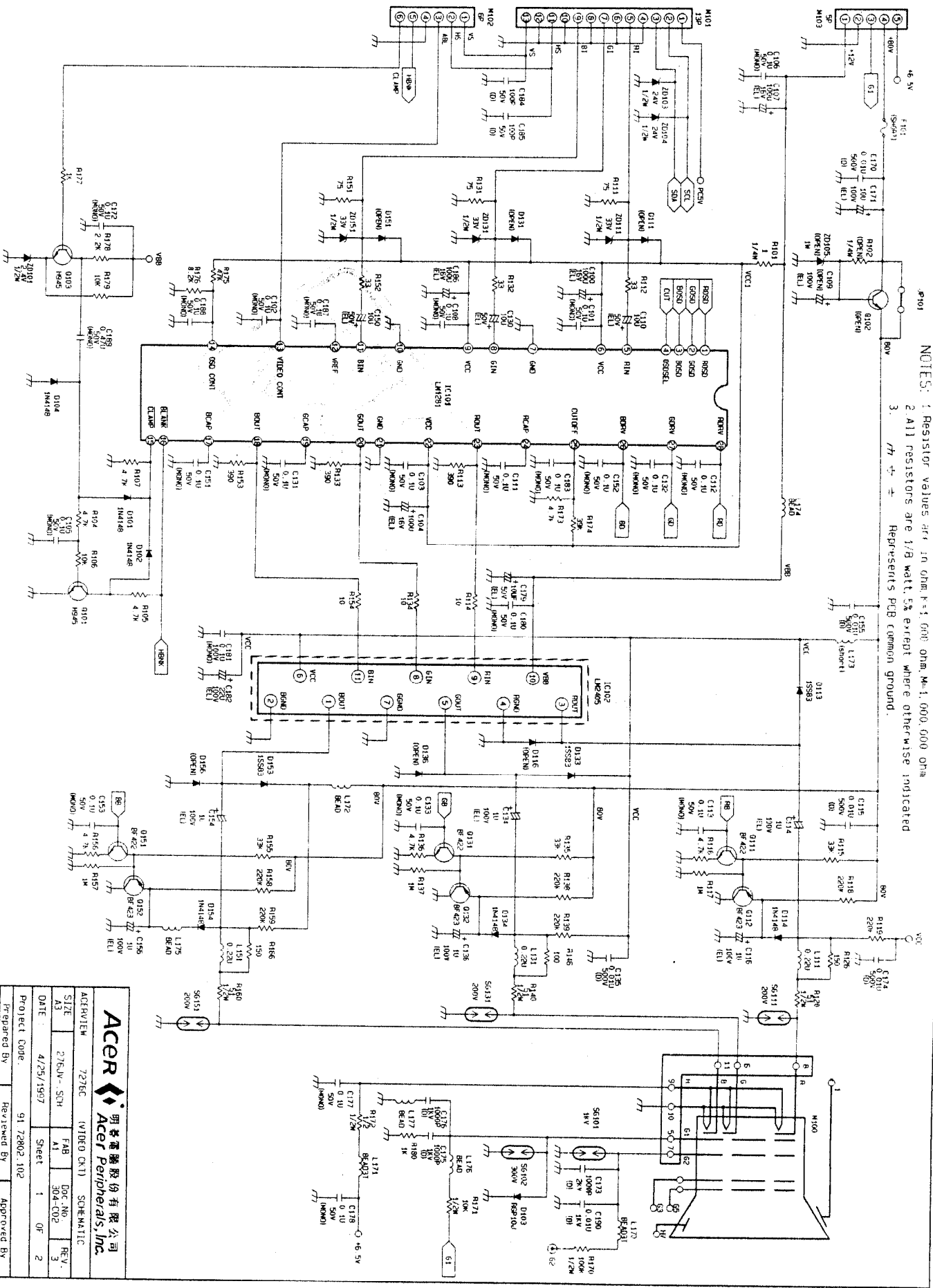
REV	DESCRIPTION	DATE	BY
1	ISSUE	10/1/73	W/O
2	REVISED	10/1/73	W/O
3	REVISED	10/1/73	W/O
4	REVISED	10/1/73	W/O
5	REVISED	10/1/73	W/O
6	REVISED	10/1/73	W/O
7	REVISED	10/1/73	W/O
8	REVISED	10/1/73	W/O
9	REVISED	10/1/73	W/O
10	REVISED	10/1/73	W/O
11	REVISED	10/1/73	W/O
12	REVISED	10/1/73	W/O
13	REVISED	10/1/73	W/O
14	REVISED	10/1/73	W/O
15	REVISED	10/1/73	W/O
16	REVISED	10/1/73	W/O
17	REVISED	10/1/73	W/O
18	REVISED	10/1/73	W/O
19	REVISED	10/1/73	W/O
20	REVISED	10/1/73	W/O
21	REVISED	10/1/73	W/O
22	REVISED	10/1/73	W/O

NAME: 2285C  
 ASSY DRAWING  
 DATE: 10/1/73  
 DRAWN BY: W/O  
 CHECKED BY: W/O  
 APPROVED BY: W/O  
 TITLE: CONTROL PANEL  
 PROJECT: 57-7274-2023  
 COMPANY: PERIODIC, INC.

NOTES: 1. Resistor values are in Ohm, K=1,000 Ohm, M=1,000,000 Ohm

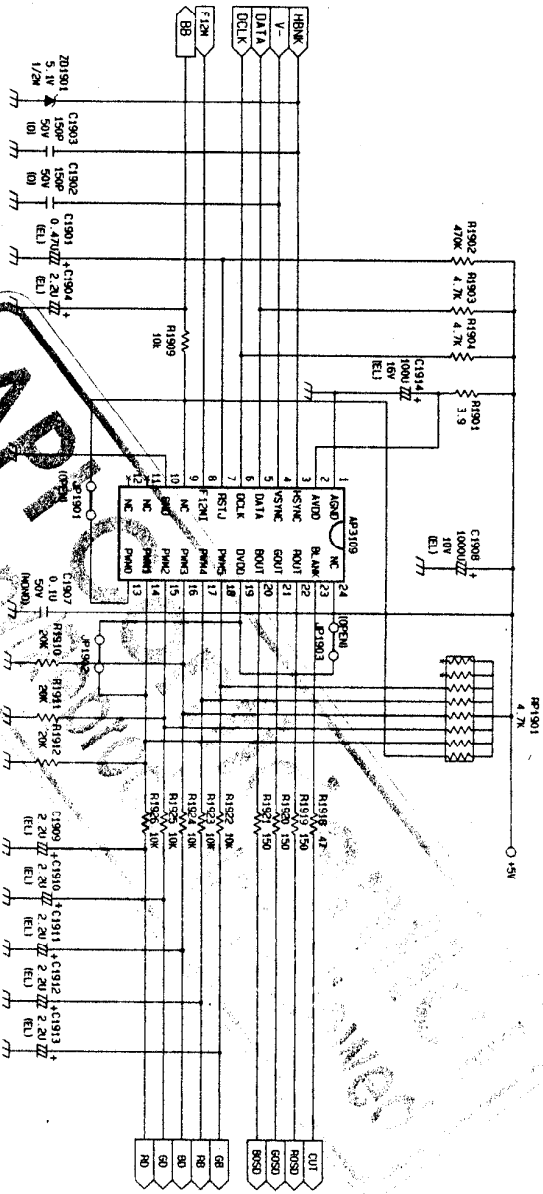
2. All resistors are 1/8 watt, 5% except where otherwise indicated

3.  $\nabla$  represents PCB common ground.

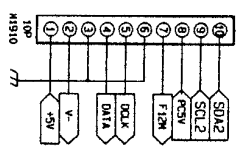
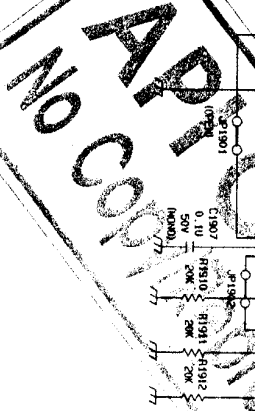


**ACER** 明基電腦股份有限公司  
Acer Peripherals, Inc.

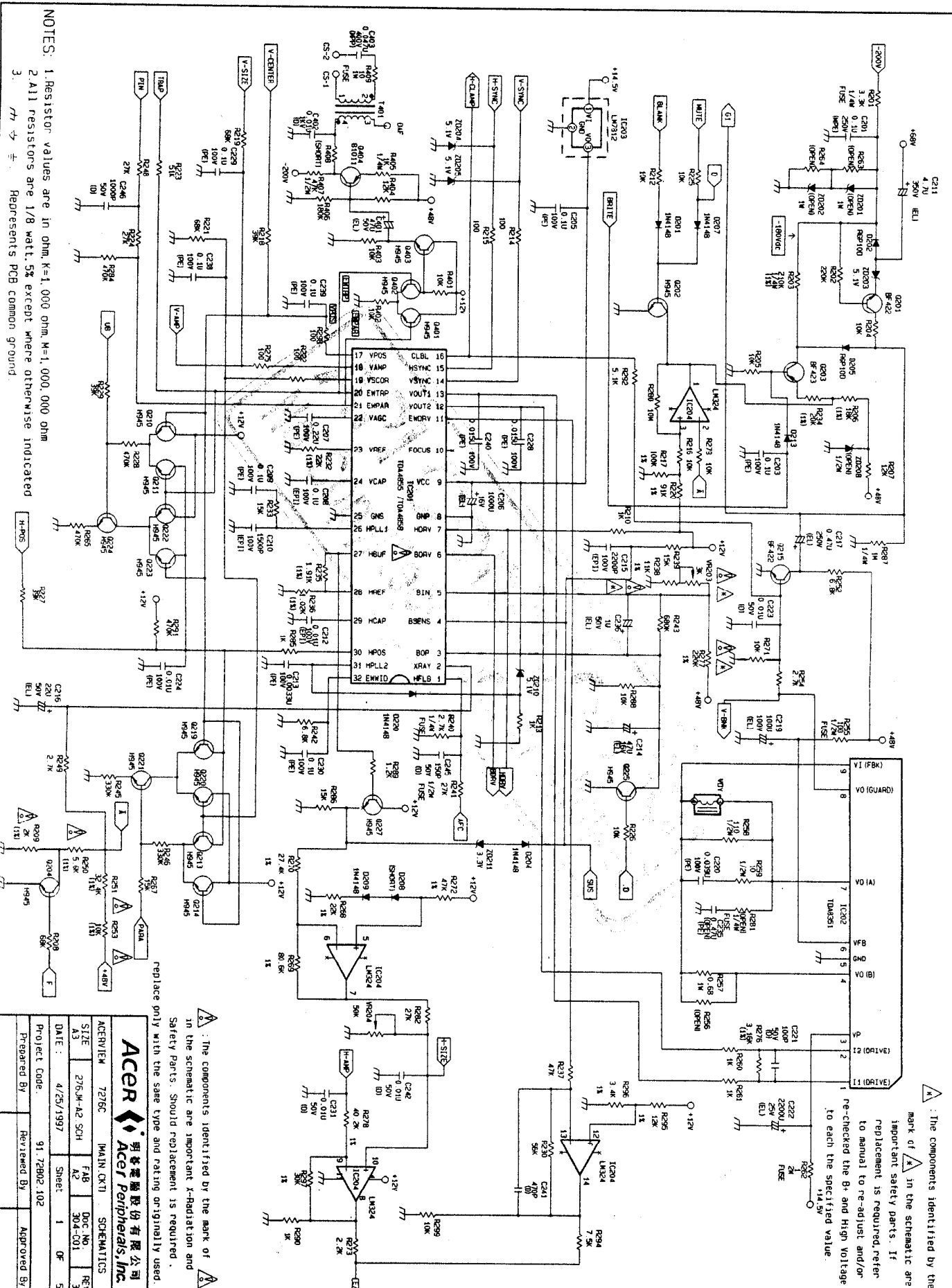
ACERVIEW	7276C	(VIDEO CRT)	SCHEMATIC
SIZE	A3	FAB	DOC NO.
DATE	4/25/1997	Sheet	1 OF 2
Project Code	91 72802 102	Reviewed By	Approved By
Prepared By			



NOTES:  
 1. Resistor values are in ohm, k=1,000 ohm, M=1,000,000 ohm  
 2. All resistors are 1/8 watt, 5% except where otherwise indicated  
 3. 代表 PCB 公共地



<b>ACER</b>		明基電腦股份有限公司 Acet Peripherals, Inc.	
ACENV1EW	7276C	(OSD DKT)	SCHEMATIC
SIZE	276JW-SPH	FAB	Doc No.
DATE	4/25/1997	A1	304-C02
Project Code	91-72802-102	Sheet	2 OF 2
Prepared By	Reviewed By	Approved By	



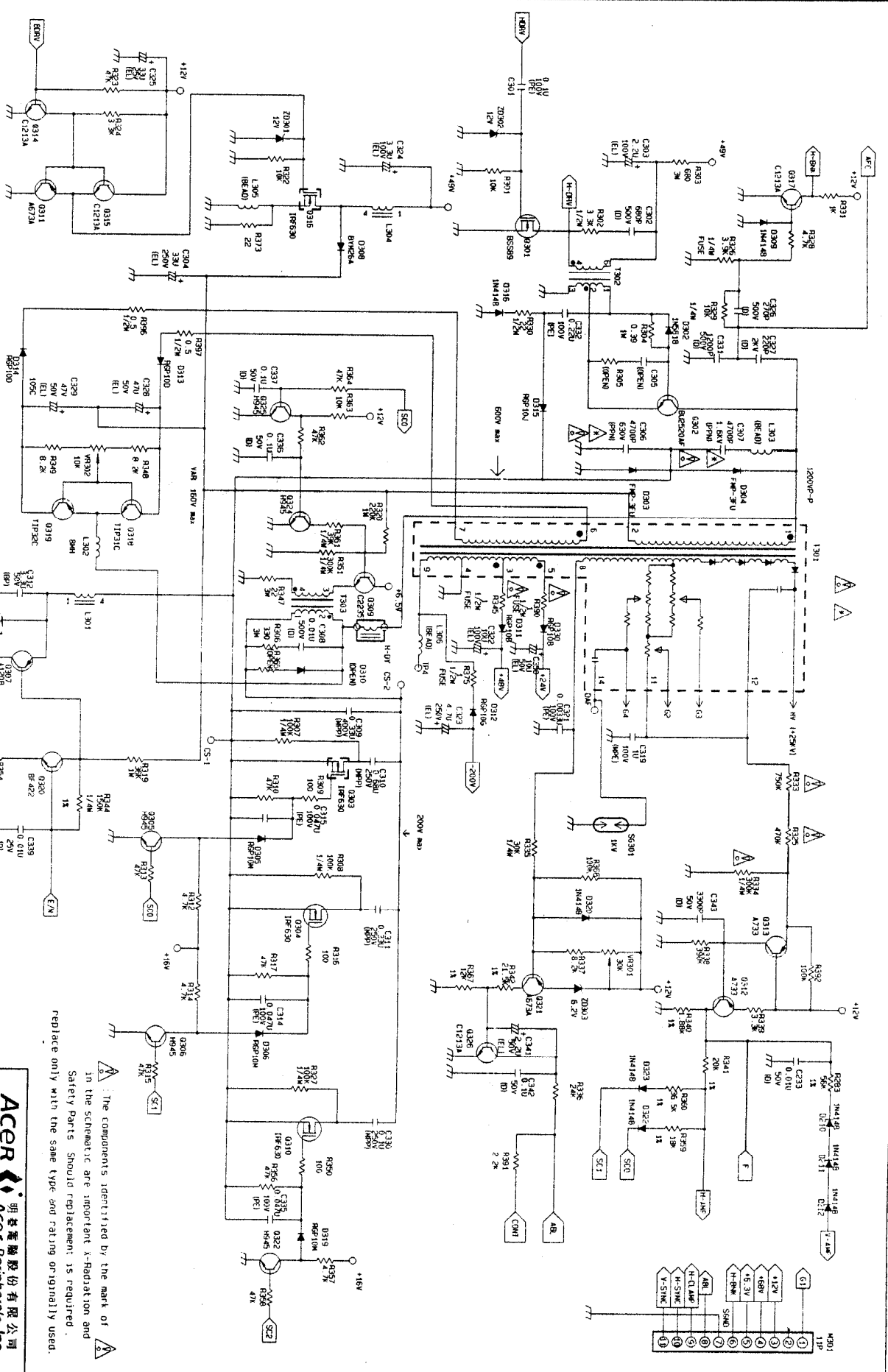
Δ The components identified by the mark of Δ in the schematic are important safety parts. If replacement is required, refer to manual to re-adjust and/or re-checked the B+ and High Voltage to each the specified value.

Δ The components identified by the mark of Δ in the schematic are important X-Radiation and Safety Parts. Should replacement is required, replace only with the same type and rating or originally used.

**ACER** 宏碁電腦股份有限公司  
Acer Peripherals, Inc.

ACERVIEW	7276C	MAIN CKT1	SCHEMATICS
SIZE	276-M-42 SCH	FAB	DOC NO
DATE	4/25/1997	AZ	304-011
Project Code	91.72B02.102	Sheet	1 OF 5
Prepared By		Reviewed By	
Approved By			

NOTES: 1. Resistor values are in Ohm, K=1,000 Ohm, M=1,000,000 Ohm  
2. All resistors are 1/8 watt, 5% except where otherwise indicated  
3. Δ represents PCB common ground



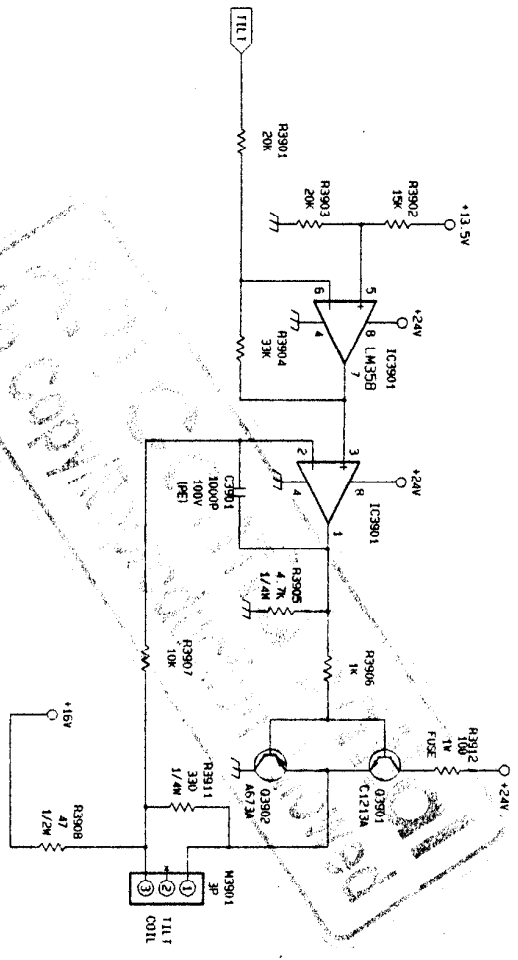
NOTES: 1. Resistor values are in ohm, K=1,000 ohm, M=1,000,000 ohm  
 2. All resistors are 1/6 watt, 5% except where otherwise indicated  
 3.  $\nabla$   $\nabla$   $\nabla$  Represents PCB common ground.

The components identified by the mark of  $\nabla$  in the schematic are important safety parts. If replacement is required, refer to manual to re-adjust and/or re-checked the B+ and high voltage to each the specified value.

The components identified by the mark of  $\nabla$  in the schematic are important x-radiation and Safety Parts. Should replacement is required, replace only with the same type and rating originally used.



ACER/VIEW	7276C	MAIN: CRT1	SCHEMATICS	
SIZE	2765M-A2 SCH	FAB	09C NO.	1
A3		A2	304-001	REV. 3
DATE:	4/25/1997	Sheet	2	OF 5
Project Code	91.72802.102	Prepared By	Reviewed By	Approved By



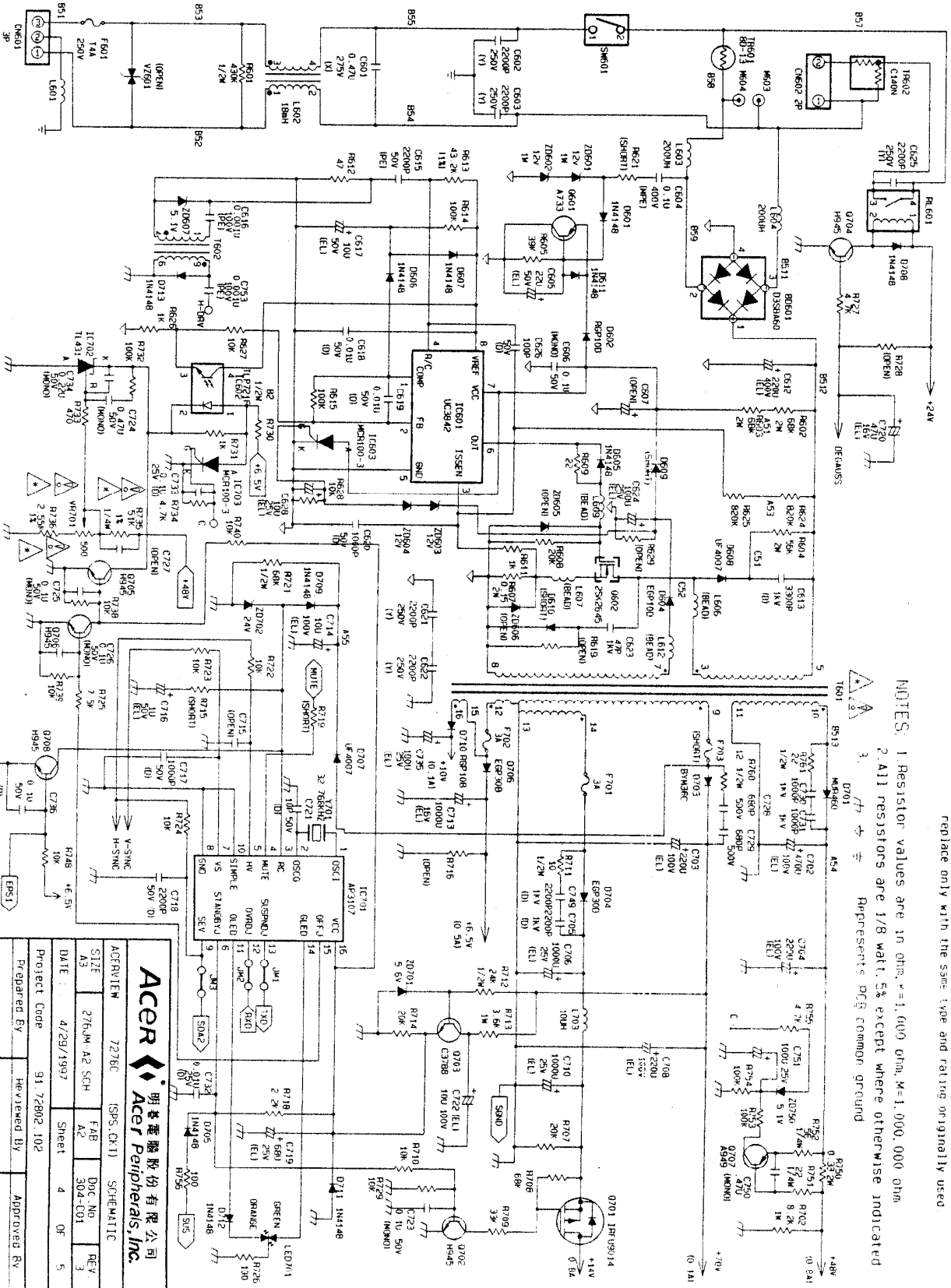
- NOTES:
1. Resistor values are in ohm, K=1,000 ohm, M=1,000,000 ohm
  2. All resistors are 1/8 watt, 5% except where otherwise indicated
  3.  $\nabla$   $\nabla$   $\nabla$  Represents PCB common ground.

<b>明基電腦股份有限公司</b> <b>Acer Peripherals, Inc.</b>		ACERVIEW	7276C	(ROTATIONAL) SCHEMATICS	
		SIZE	276UM-A2 SCH	FAB	DOC NO.
DATE :	4/25/1997	Sheet	3	OF	5
Project Code	91.72802.102				
Prepared By	Reviewed By	Approved By			

**⚠** The components identified by the mark of **⚠** in the schematic are important safety parts. If replacement is required, refer to service manual to re-adjust and/or re-checked the B+ and High Voltage to reach the specified value.

**⚠** The components identified by the mark of **⚠** in the schematic are important X-Radiation and Safety Parts. Should replacement is required, replace only with the same type and rating originally used.

**NOTES:**  
 1. Resistor values are in ohm,  $\times=1,000$  ohm,  $M=1,000,000$  ohm  
 2. All resistors are 1/8 watt, 5% except where otherwise indicated  
 3. Represents PCB common ground

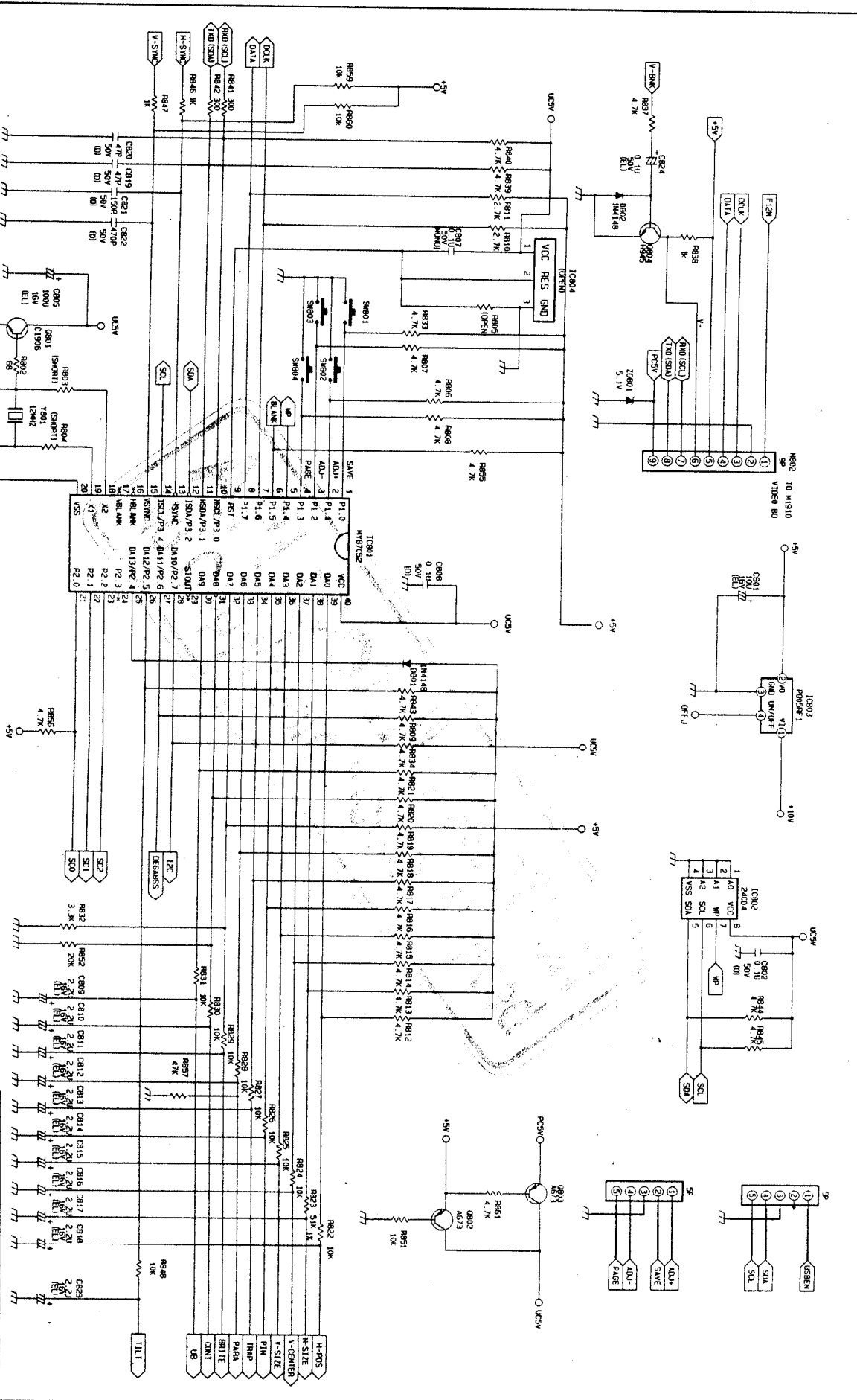


**ACER** 明基電腦股份有限公司  
**Acer Peripherals, Inc.**

ACERVIEW 7276C (S9S-GK1) SCHEMATIC

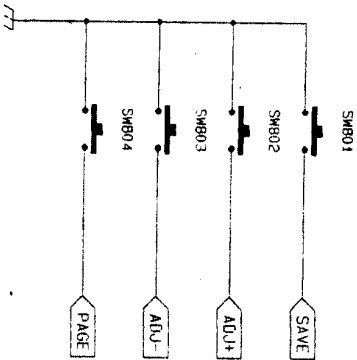
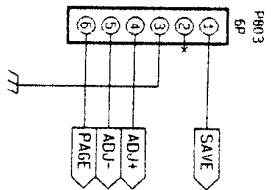
SIZE	276JM-A2 SCH	FAB	DOC NO.	REV
DATE	4/29/1997	A2	304-C01	3
Project Code	91.78902.102	Sheet	4	OF 5
Prepared By	Reviewed By	Approved By		





NOTES: 1. Resistor values are in ohm, K=1,000 ohm, M=1,000,000 ohm  
 2. All resistors are 1/8 watt, 5% except where otherwise indicated  
 3.  $\text{TTT} \rightarrow \pm$  Represents PCB common ground.

		<b>明基電腦股份有限公司</b> <b>Acer Peripherals, Inc.</b>	
ACRITER#	7275C	MICRO CMT1	SCHEMATIC
SIZE	275LM-A2 SCH	FAB	DOC. NO.
A3		A2	304-C01
DATE :	4/25/1997	Sheet	5 OF 5
Project Code.	91.72802.102	Prepared By	Reviewed By
		Approved By	



- NOTES:
1. Resistor values are in ohm, k=1,000 ohm, M=1,000,000 ohm
  2. All resistors are 1/8 watt, 5% except where otherwise indicated
  3.  $\text{---} \nabla \text{---}$  Represents PCB common ground.

**ACER** 明基電腦股份有限公司  
**Acer Peripherals, Inc.**

ACERVIEW 7276C (CTRL DKT) SCHEMATIC

SIZE	276JC-A0 SCH	FAB	Dwg No	REV
A4		A0	304-C03	0

DATE	4/25/1997	Sheet	1	OF	1
------	-----------	-------	---	----	---

Project Code: 91.72802.102

Prepared By	Reviewed By	Approved By